

1 2 3 4 5 6

A

A

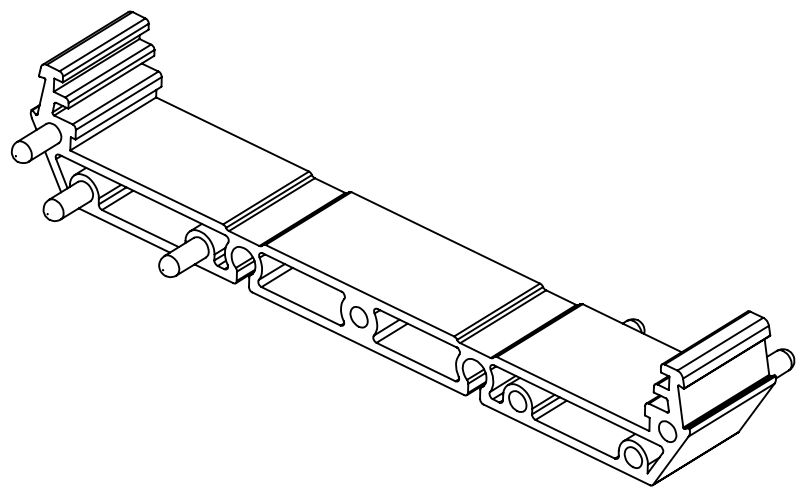
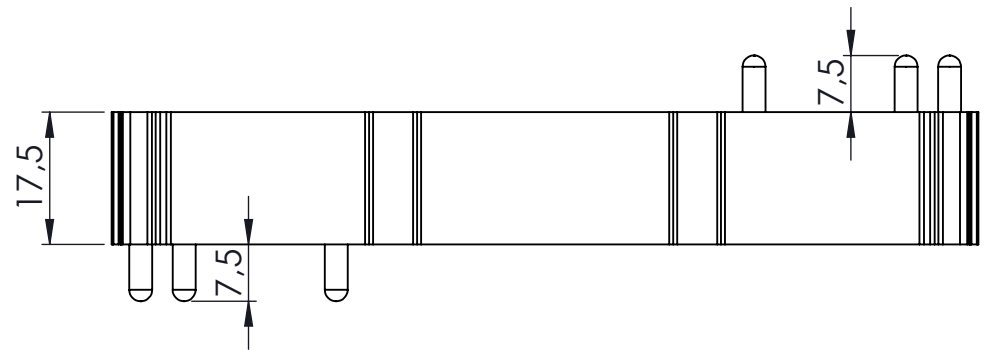
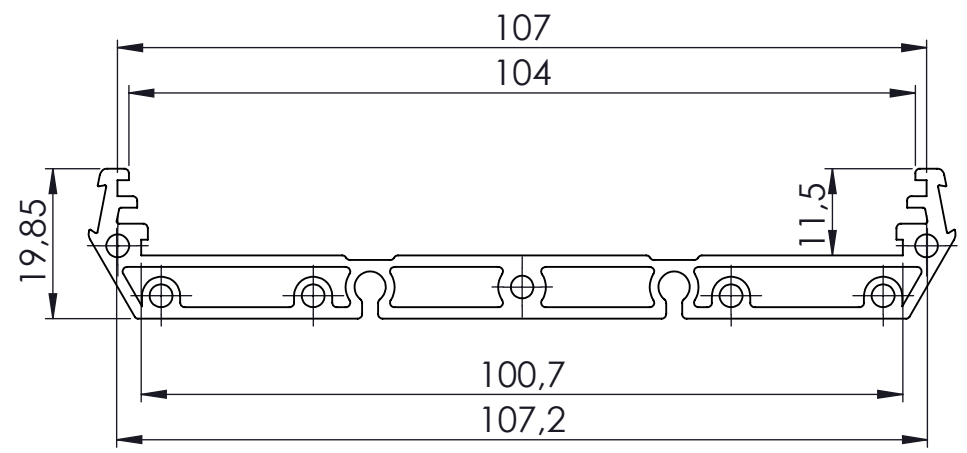
B


B

C

C

D



	NAME	DATE	ARTICLE NO:	REVISION:	TITLE:
DRAWN	Dursun Daşdemir	04.08.15			107 mm Kart Beşığı Ara Parça (17,5 mm)
CHECKED	Ali Altınışık	04.08.15	COMMENTS:		
 ENCLOSURES FOR ELECTRONICS <a href="http://www.altinkaya.com.tr">www.altinkaya.com.tr</a>			DIMENSIONS ARE IN MILLIMETERS. DEBUR AND BREAK SHARP EDGES		DWG NO.
PROPRIETARY AND CONFIDENTIAL THE INFORMATION CONTAINED IN THIS DRAWING IS THE SOLE PROPERTY OF ALTINKAYA ENCLOSURES. ANY REPRODUCTION IN PART OR AS A WHOLE WITHOUT THE WRITTEN PERMISSION OF ALTINKAYA ENCLOSURES IS PROHIBITED.			MATERIAL:		RT-077-2
			WEIGHT:		A4
			SCALE:1:1		SHEET 1 OF 1

1 2

