

1

2

3

4

A

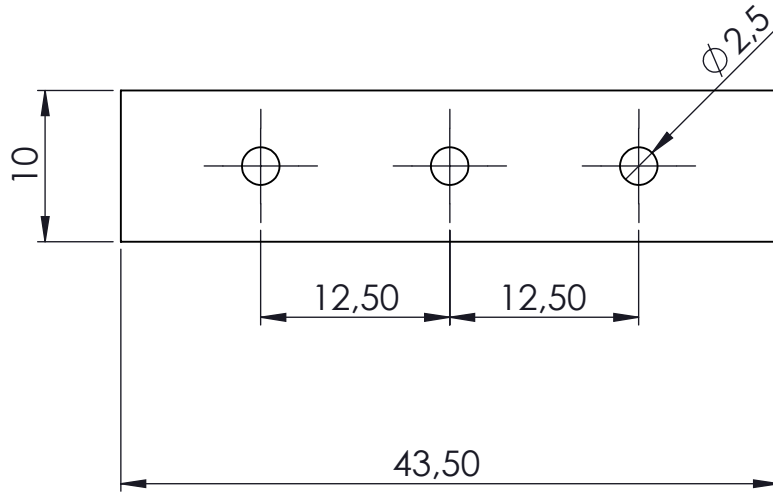
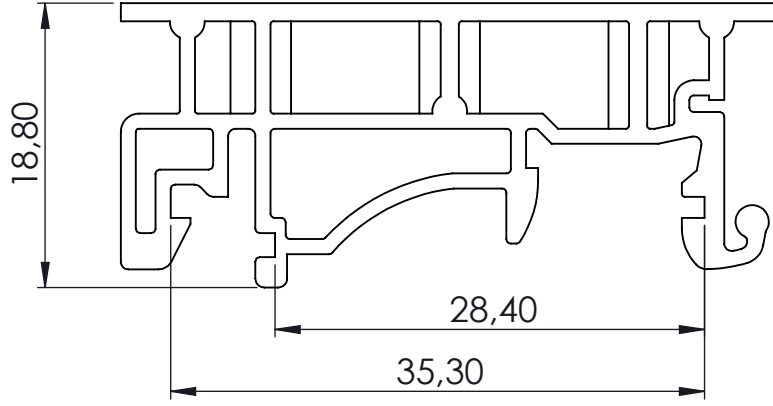
B


C

D

E

F



	NAME	DATE	ARTICLE NO:	REVISION:	TITLE:
DRAWN	Dursun Daşdemir	30.11.15			DIN Ray Montaj Kart Beşığı
CHECKED	Ali Altınışık	30.11.15			
	 ENCLOSURES FOR ELECTRONICS www.altinkaya.com.tr		COMMENTS: DIMENSIONS ARE IN MILLIMETERS, DEBUR AND BREAK SHARP EDGES		DWG NO.
	PROPRIETARY AND CONFIDENTIAL THE INFORMATION CONTAINED IN THIS DRAWING IS THE SOLE PROPERTY OF ALTINKAYA ENCLOSURES. ANY REPRODUCTION IN PART OR AS A WHOLE WITHOUT THE WRITTEN PERMISSION OF ALTINKAYA ENCLOSURES IS PROHIBITED.		MATERIAL:		RT-025
			WEIGHT:		A4
			SCALE:2:1		SHEET 1 OF 1

