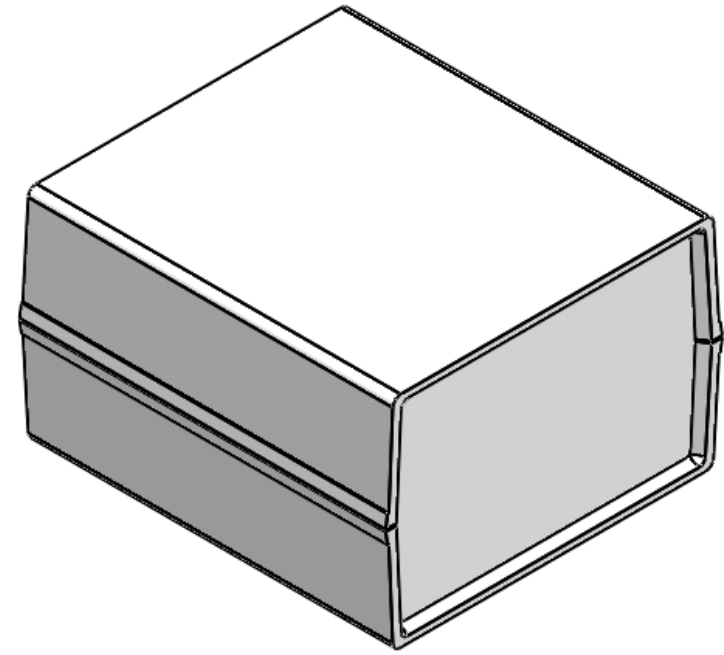
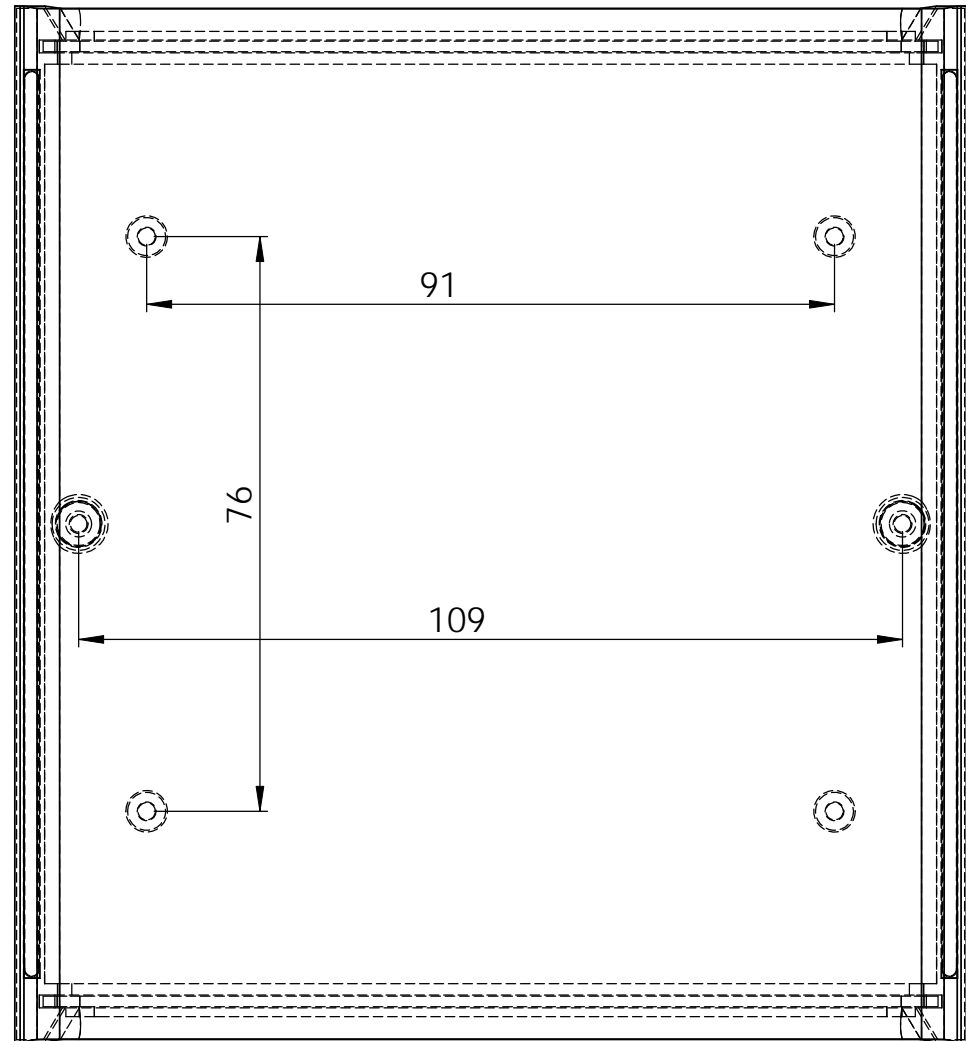


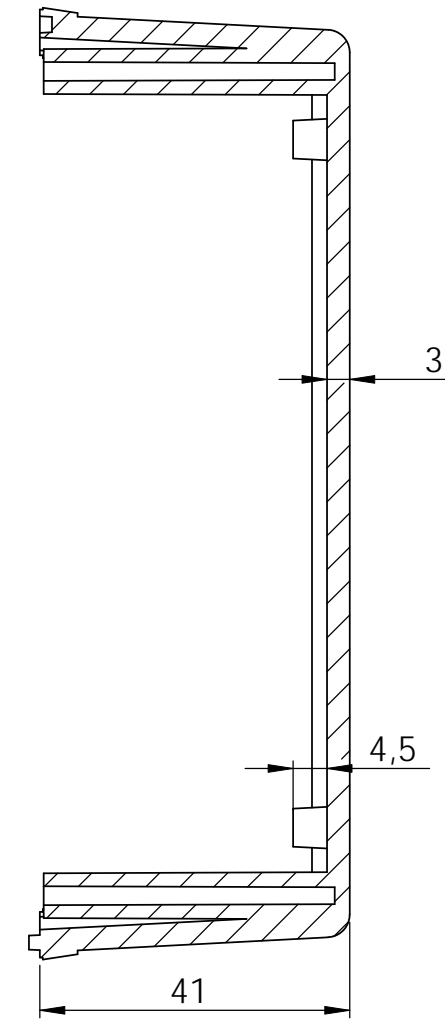
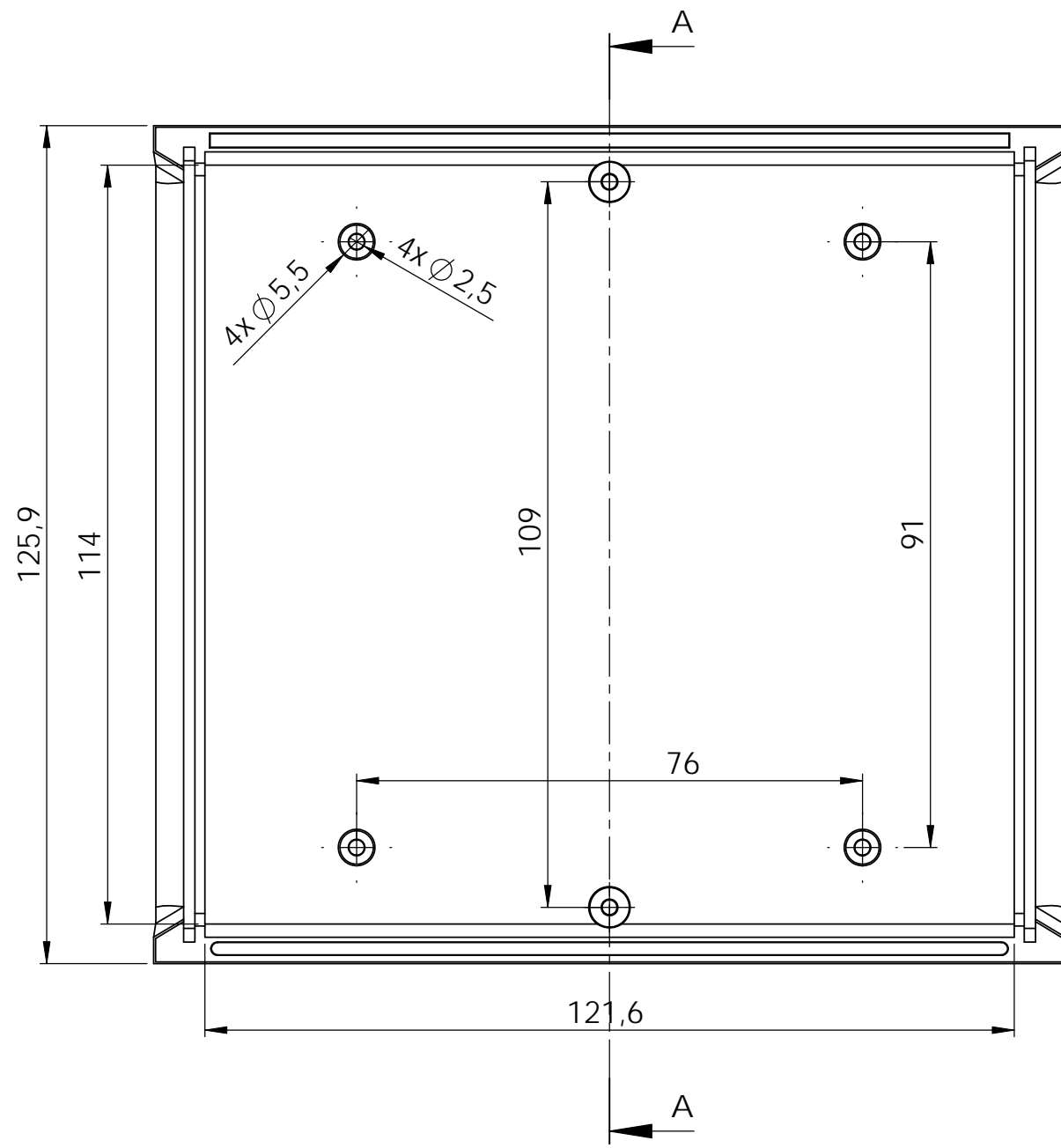


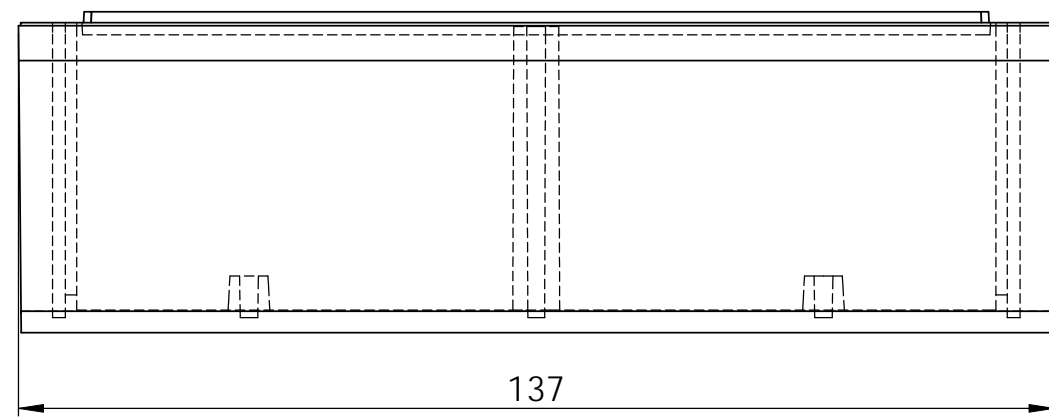
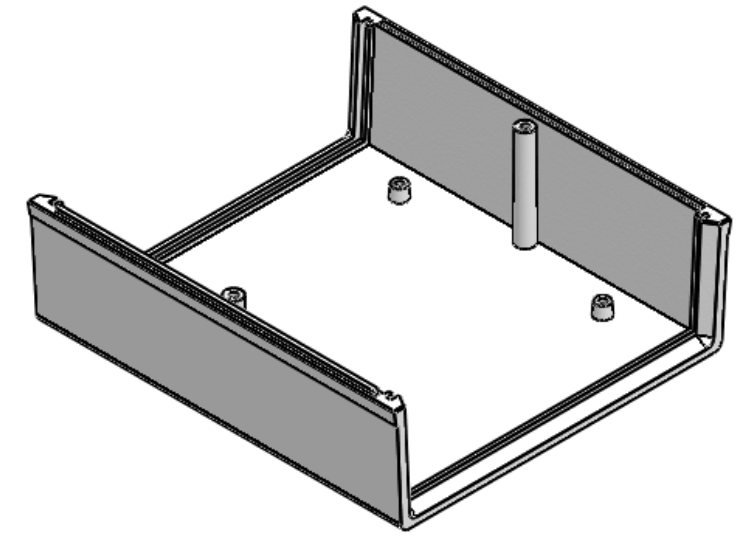
KESIT A-A




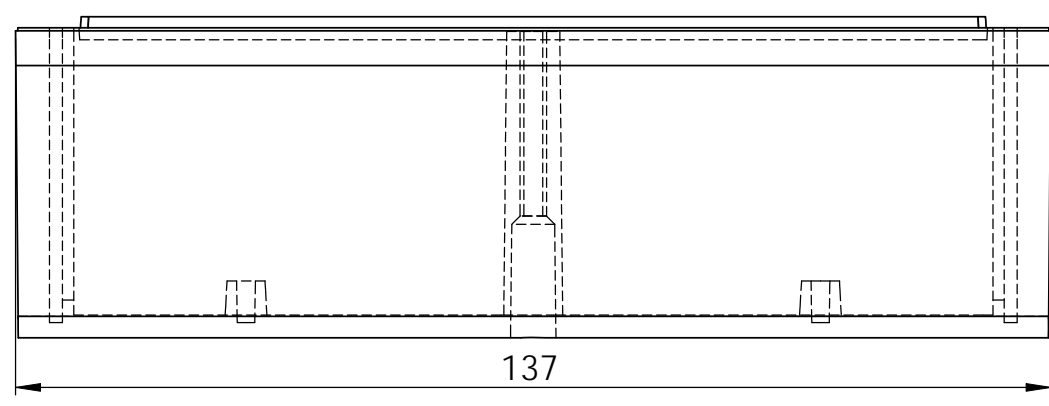
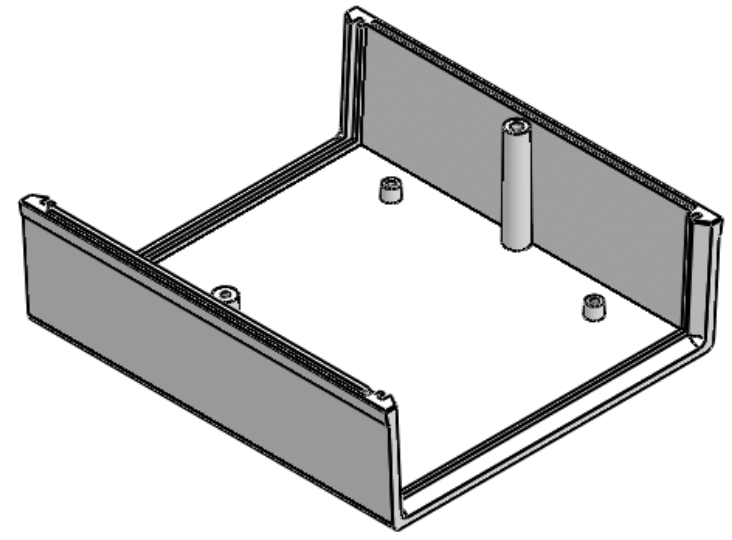
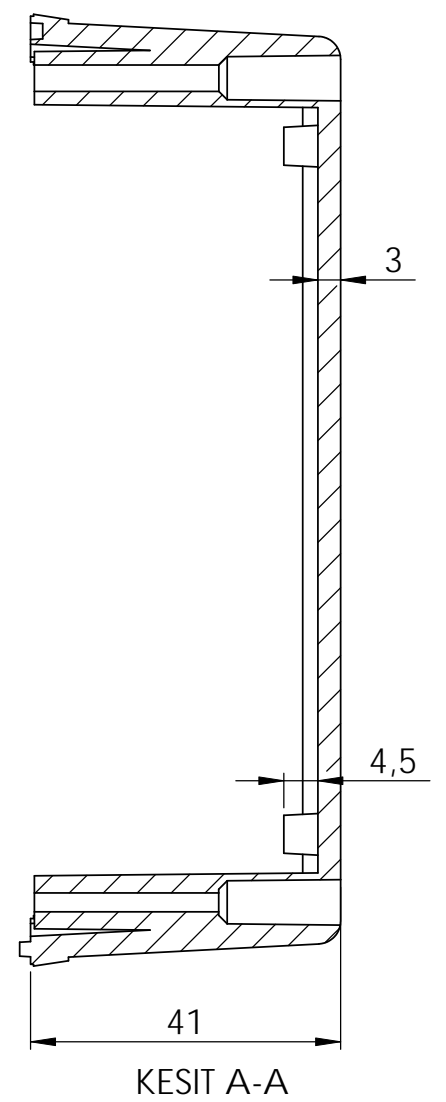
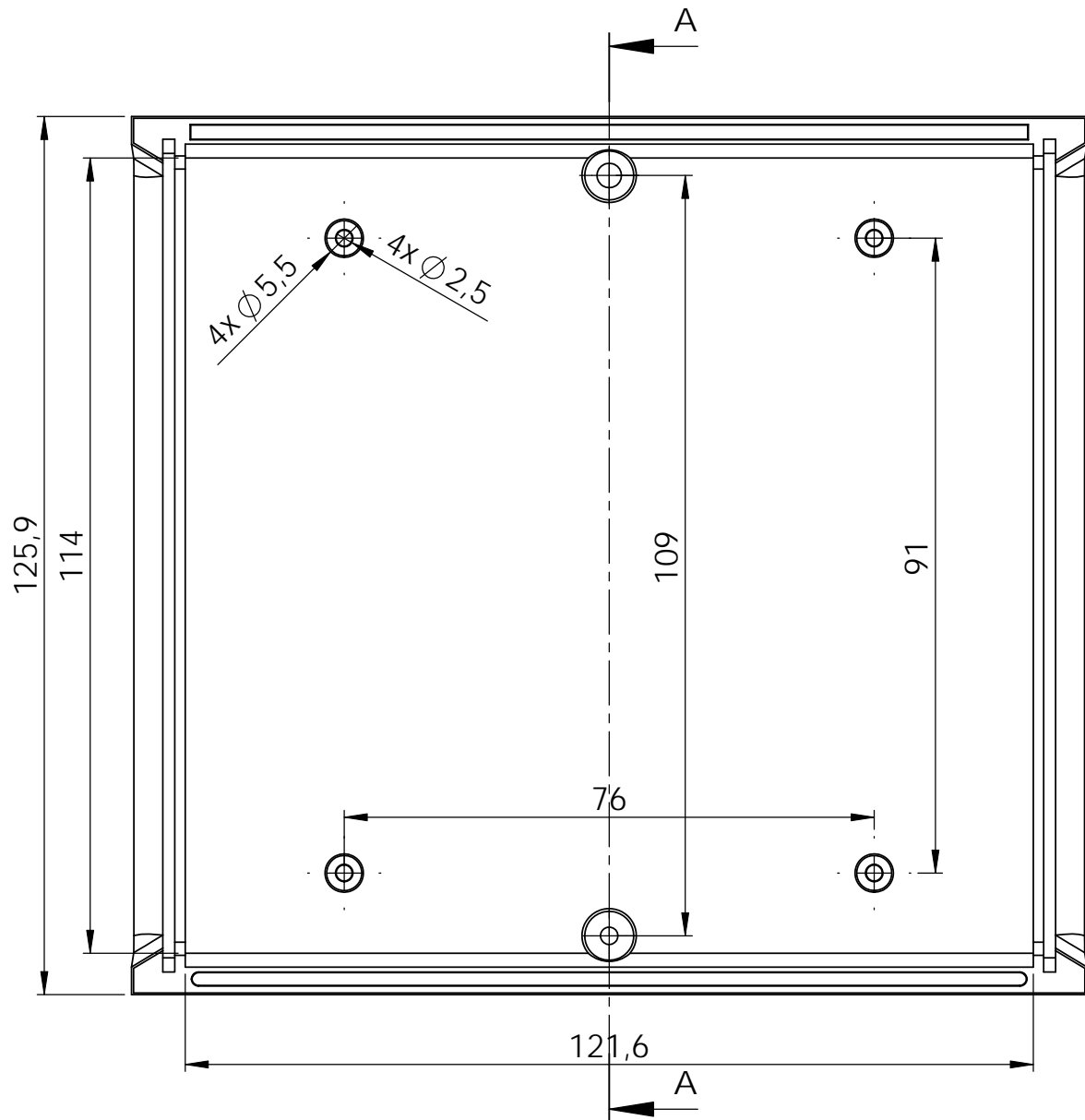
<small>PROPRIETARY AND CONFIDENTIAL THE INFORMATION CONTAINED IN THIS DRAWING IS THE SOLE PROPERTY OF ALTINKAYA ENCLOSURES. ANY REPRODUCTION IN PART OR AS A WHOLE WITHOUT THE WRITTEN PERMISSION OF ALTINKAYA ENCLOSURES IS PROHIBITED.</small>			ARTICLE NO.:	REVISION:
<small>DRAWN</small> Dursun Daşdemir 22.05.10 <small>CHECKED</small> Ali Altınışık 22.05.10 <small>COMMENTS:</small> <small>MATERIAL:</small> <small>WEIGHT:</small>			 <b>ALTINKAYA</b> <small>ENCLOSURES FOR ELECTRONICS</small>	<small>CONTACT:</small> <a href="http://www.altinkaya.com.tr">www.altinkaya.com.tr</a>
			<small>TITLE:</small> <h2>Desktop Project Enclosure</h2>	
			<small>DWG NO.</small> <h1>DT-0909-0-0-G-0</h1>	<small>A3</small> 
			<small>SCALE:</small> 1:1	<small>SHEET</small> 1 OF 1




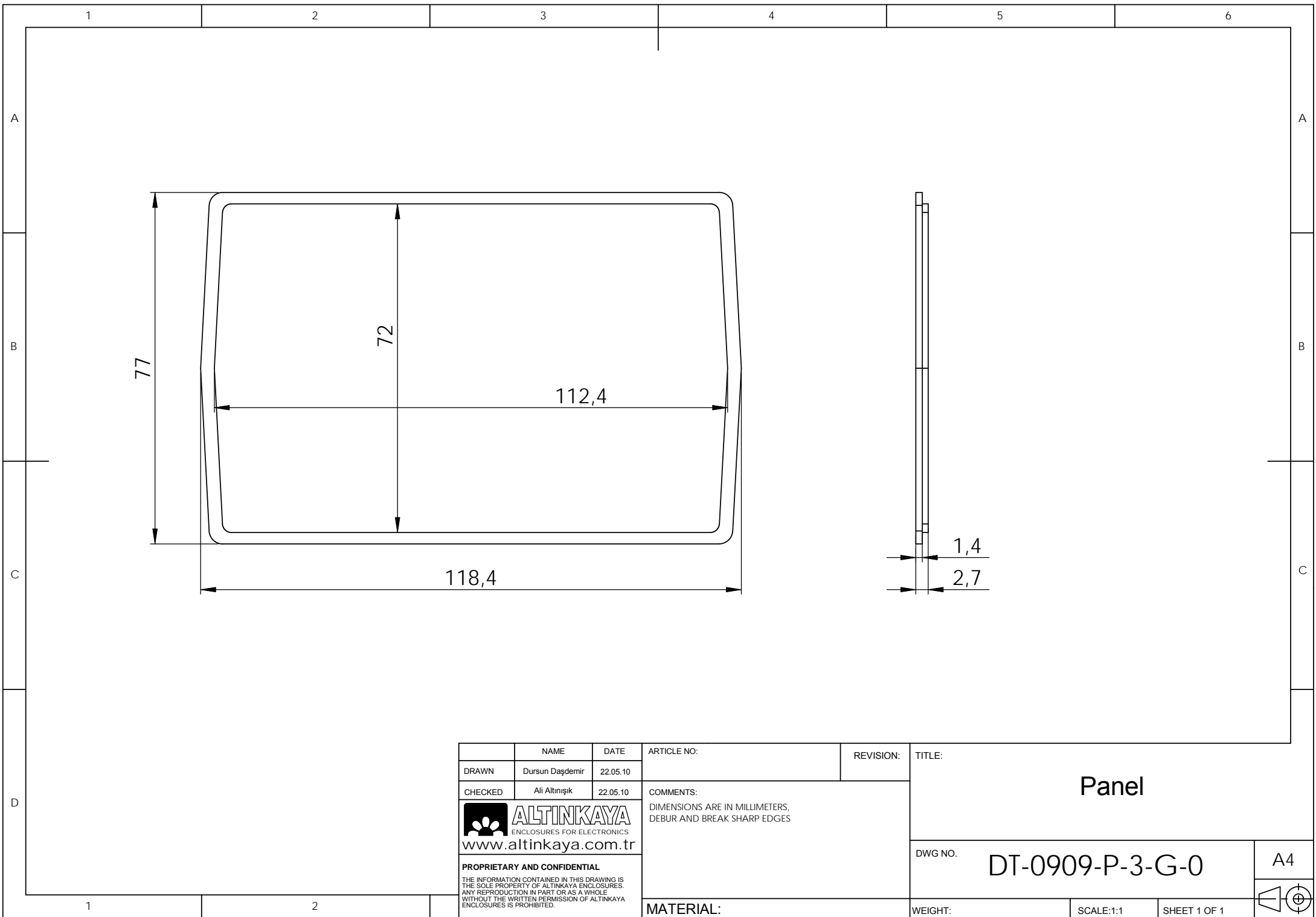
KESIT A-A





<small>PROPRIETARY AND CONFIDENTIAL. THE INFORMATION CONTAINED IN THIS DRAWING IS THE SOLE PROPERTY OF ALTINKAYA ENCLOSURES. ANY REPRODUCTION IN PART OR AS A WHOLE WITHOUT THE WRITTEN PERMISSION OF ALTINKAYA ENCLOSURES IS PROHIBITED.</small>			ARTICLE NO.:	REVISION:
<small>DRAWN Dursun Daşdemir 22.05.10</small> <small>CHECKED Ali Altınışık 22.05.10</small>			 ENCLOSURES FOR ELECTRONICS	CONTACT: www.altinkaya.com.tr
<small>COMMENTS:</small>			<h2>Cover</h2>	
<small>MATERIAL:</small>			DWG NO. <b>DT-0909-P-1-G-0</b>	A3
<small>WEIGHT:</small>			SCALE:1:1	SHEET 1 OF 1



<small>PROPRIETARY AND CONFIDENTIAL. THE INFORMATION CONTAINED IN THIS DRAWING IS THE SOLE PROPERTY OF ALTINKAYA ENCLOSURES. ANY REPRODUCTION IN PART OR AS A WHOLE WITHOUT THE WRITTEN PERMISSION OF ALTINKAYA ENCLOSURES IS PROHIBITED.</small>			ARTICLE NO.:	REVISION:
<small>DRAWN</small> Dursun Daşdemir 22.05.10 <small>CHECKED</small> Ali Altınışık 22.05.10 <small>COMMENTS:</small> <small>MATERIAL:</small> <small>WEIGHT:</small>			 ENCLOSURES FOR ELECTRONICS	<small>CONTACT:</small> <a href="http://www.altinkaya.com.tr">www.altinkaya.com.tr</a>
			<small>TITLE:</small> <h2 style="text-align: center;">Base</h2>	
			<small>DWG NO.</small> <h1 style="text-align: center;">DT-0909-P-2-G-0</h1>	<small>A3</small>
			<small>SCALE:</small> 1:1	<small>SHEET</small> 1 OF 1



	NAME	DATE	ARTICLE NO:	REVISION:	TITLE:
DRAWN	Dursun Daşdemir	22.05.10			<b>Panel</b>
CHECKED	Ali Altınışık	22.05.10	COMMENTS:		
 ENCLOSURES FOR ELECTRONICS <a href="http://www.altinkaya.com.tr">www.altinkaya.com.tr</a>			DIMENSIONS ARE IN MILLIMETERS, DEBUR AND BREAK SHARP EDGES		DWG NO.
PROPRIETARY AND CONFIDENTIAL <small>THE INFORMATION CONTAINED IN THIS DRAWING IS THE SOLE PROPERTY OF ALTINKAYA ENCLOSURES. ANY REPRODUCTION IN PART OR AS A WHOLE WITHOUT THE WRITTEN PERMISSION OF ALTINKAYA ENCLOSURES IS PROHIBITED.</small>			MATERIAL:		DT-0909-P-3-G-0
			WEIGHT:		A4
			SCALE:1:1		
			SHEET 1 OF 1		