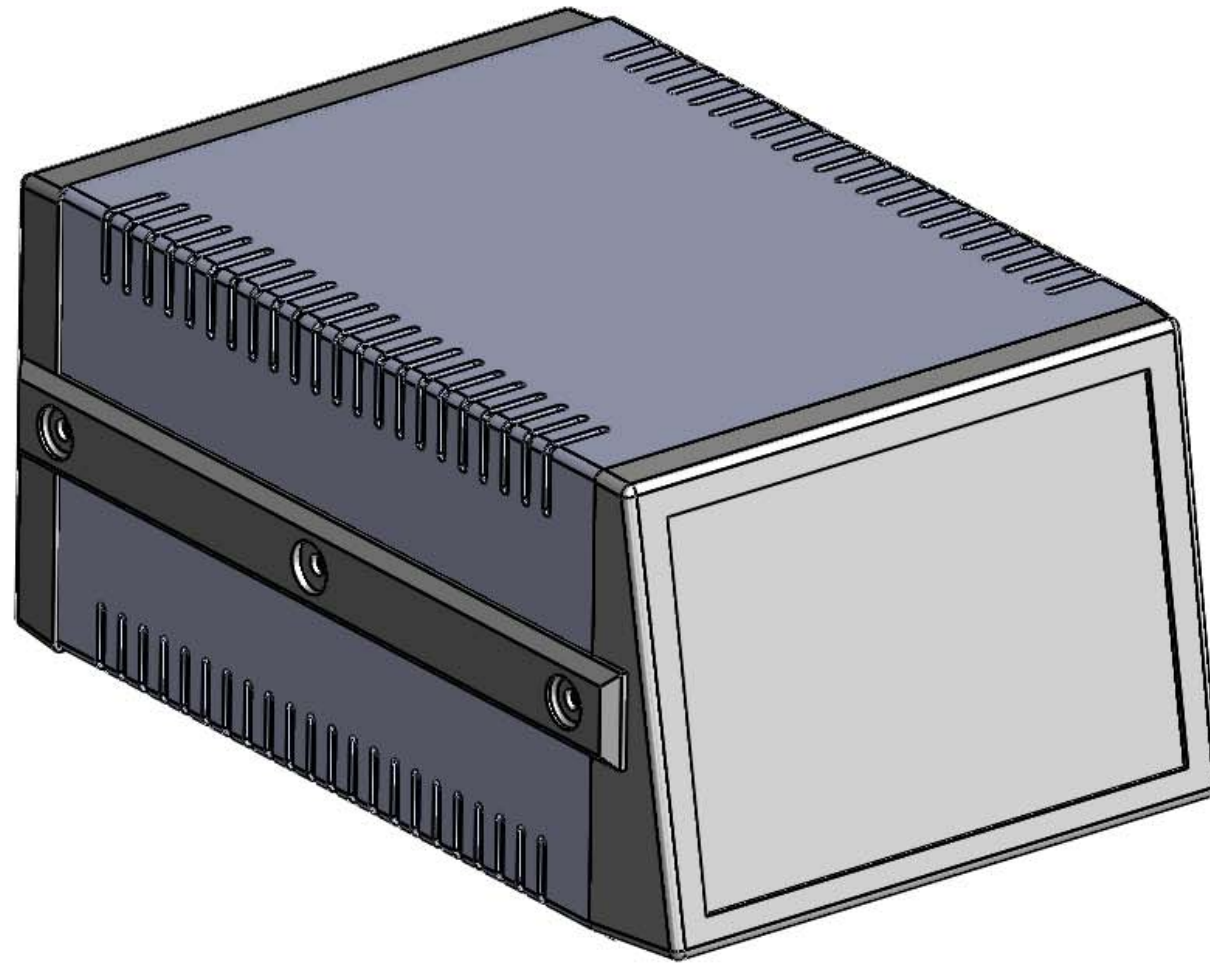

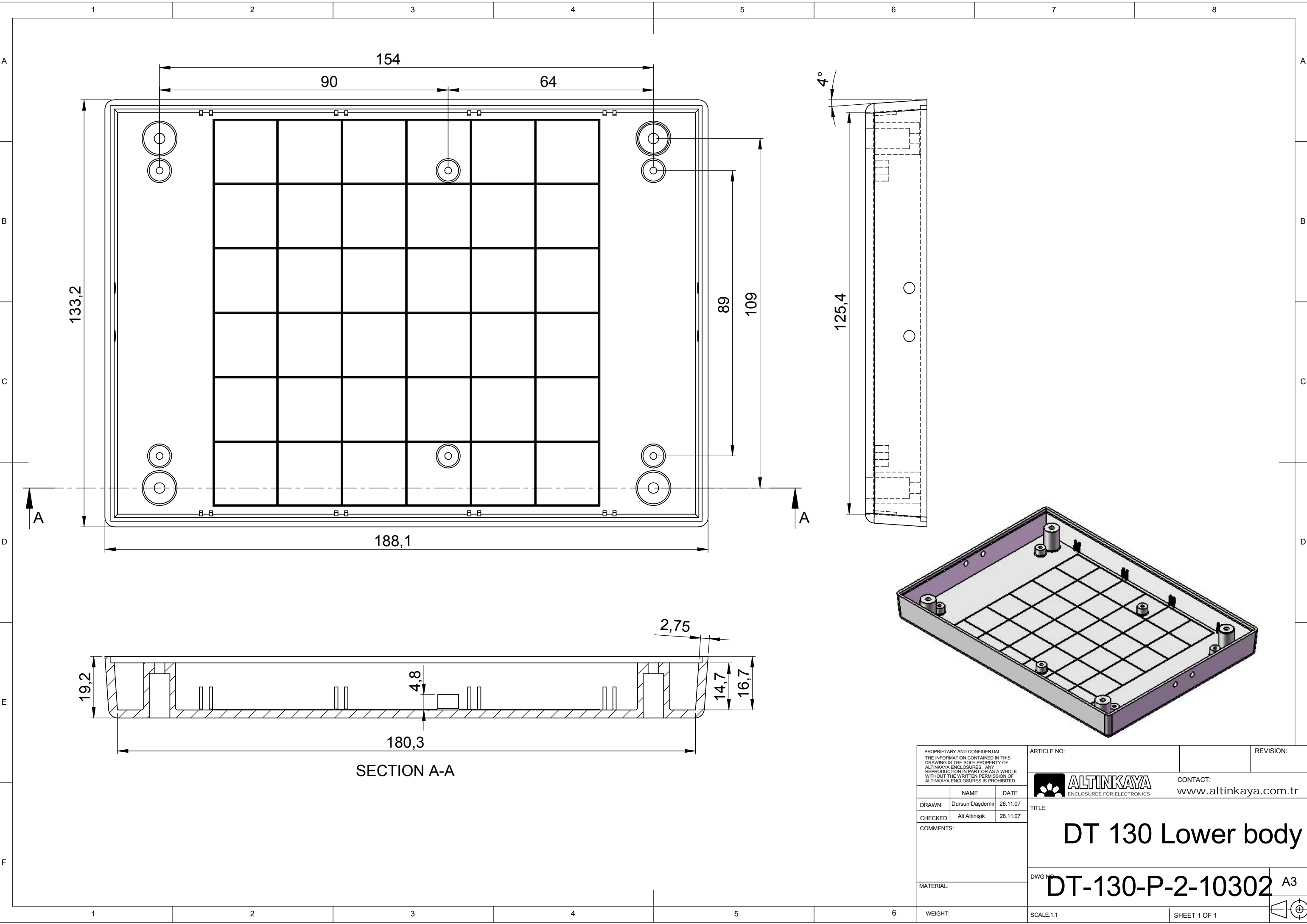


KESIT A-A



<small>PROPRIETARY AND CONFIDENTIAL THE INFORMATION CONTAINED IN THIS DRAWING IS THE SOLE PROPERTY OF ALTINKAYA ENCLOSURES. ANY REPRODUCTION IN PART OR AS A WHOLE WITHOUT THE WRITTEN PERMISSION OF ALTINKAYA ENCLOSURES IS PROHIBITED.</small>			ARTICLE NO.:	REVISION:
<small>DRAWN</small> Dursun DAŞDEMİR			 ALTINKAYA ENCLOSURES FOR ELECTRONICS	CONTACT: www.altinkaya.com.tr
<small>CHECKED</small> Ali Altınışık				TITLE:
<small>COMMENTS:</small>			DWG NO. DT-433	A3
<small>MATERIAL:</small>			SCALE:1:2	SHEET 1 OF 1
<small>WEIGHT:</small>				



PROPRIETARY AND CONFIDENTIAL
 THE INFORMATION CONTAINED IN THIS
 DRAWING IS THE SOLE PROPERTY OF
 ALTINKAYA ENCLOSURES. ANY
 REPRODUCTION IN PART OR AS A WHOLE
 WITHOUT THE WRITTEN PERMISSION OF
 ALTINKAYA ENCLOSURES IS PROHIBITED.

ARTICLE NO: _____ REVISION: _____

ALTINKAYA
 ENCLOSURES FOR ELECTRONICS
 CONTACT: www.altinkaya.com.tr

	NAME	DATE
DRAWN	Dursun Dagdemir	28.11.07
CHECKED	Ali Altinçik	28.11.07

TITLE:

DT 130 Lower body

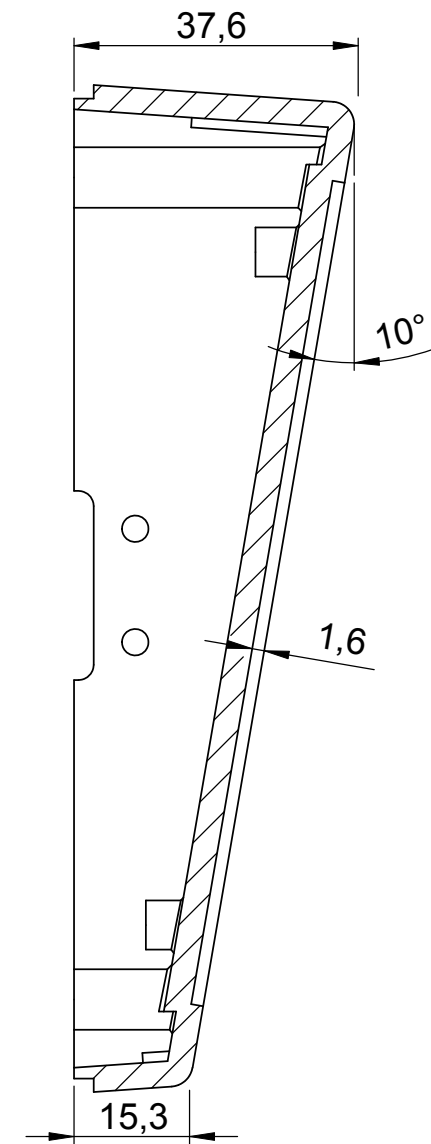
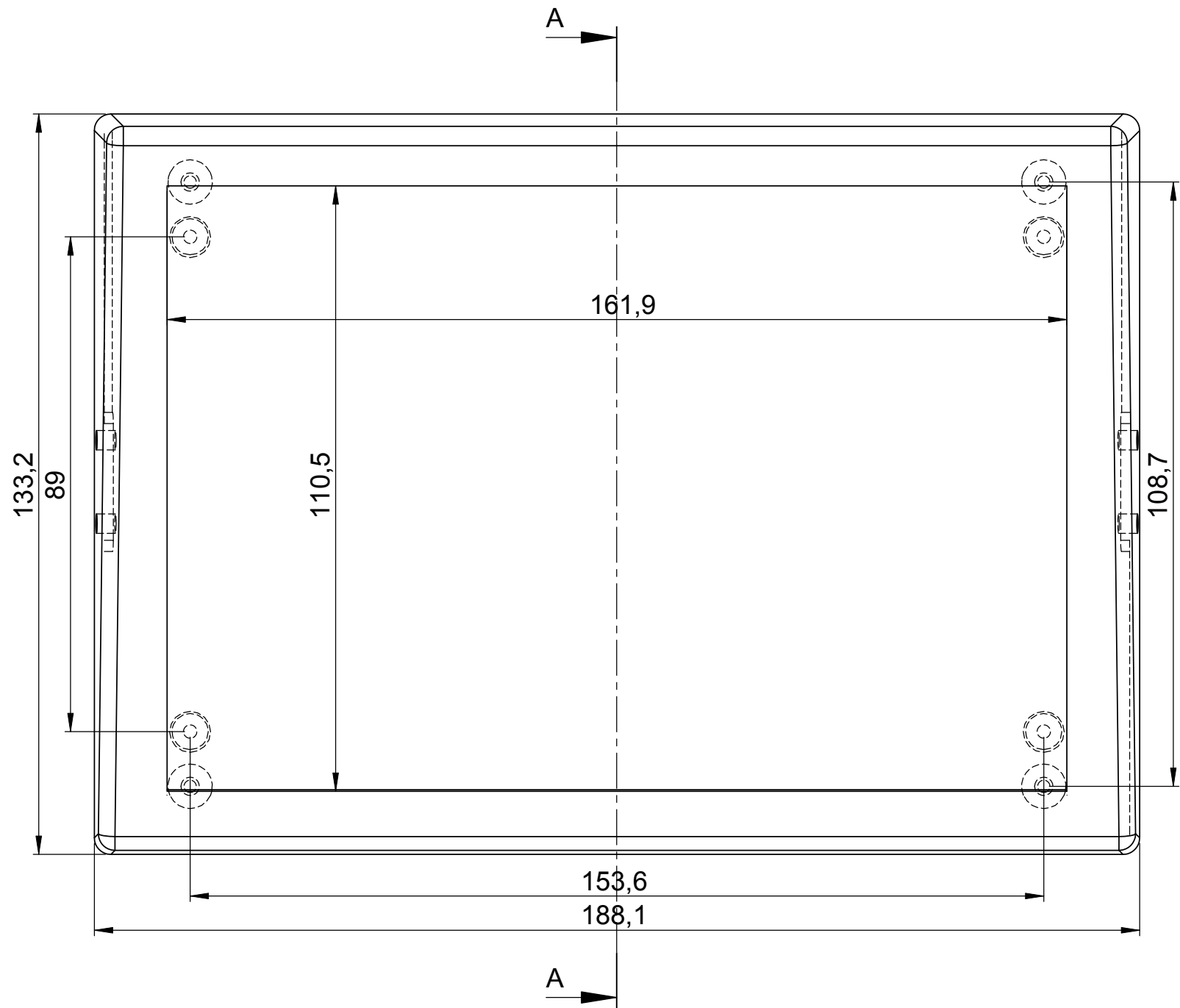
MATERIAL:

DWG NO: **DT-130-P-2-10302** A3

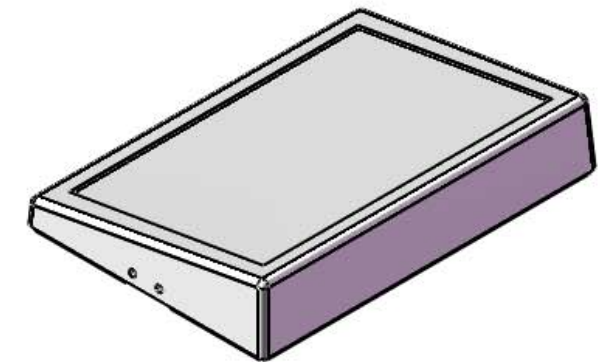
WEIGHT:

SCALE:1:1 SHEET 1 OF 1





SECTION A-A



PROPRIETARY AND CONFIDENTIAL
THE INFORMATION CONTAINED IN THIS
DRAWING IS THE SOLE PROPERTY OF
ALTINKAYA ENCLOSURES. ANY
REPRODUCTION IN PART OR AS A WHOLE
WITHOUT THE WRITTEN PERMISSION OF
ALTINKAYA ENCLOSURES IS PROHIBITED.

ARTICLE NO:

REVISION:

	NAME	DATE
DRAWN	Dursun Daşdemir	28.11.07
CHECKED	Ali Altıngök	28.11.07



CONTACT:
www.altinkaya.com.tr

COMMENTS:

TITLE:

DT 130 Upper body

MATERIAL:

DWG NO:

DT-130-P-1-10300 A3

WEIGHT:

SCALE:1:1

SHEET 1 OF 1

