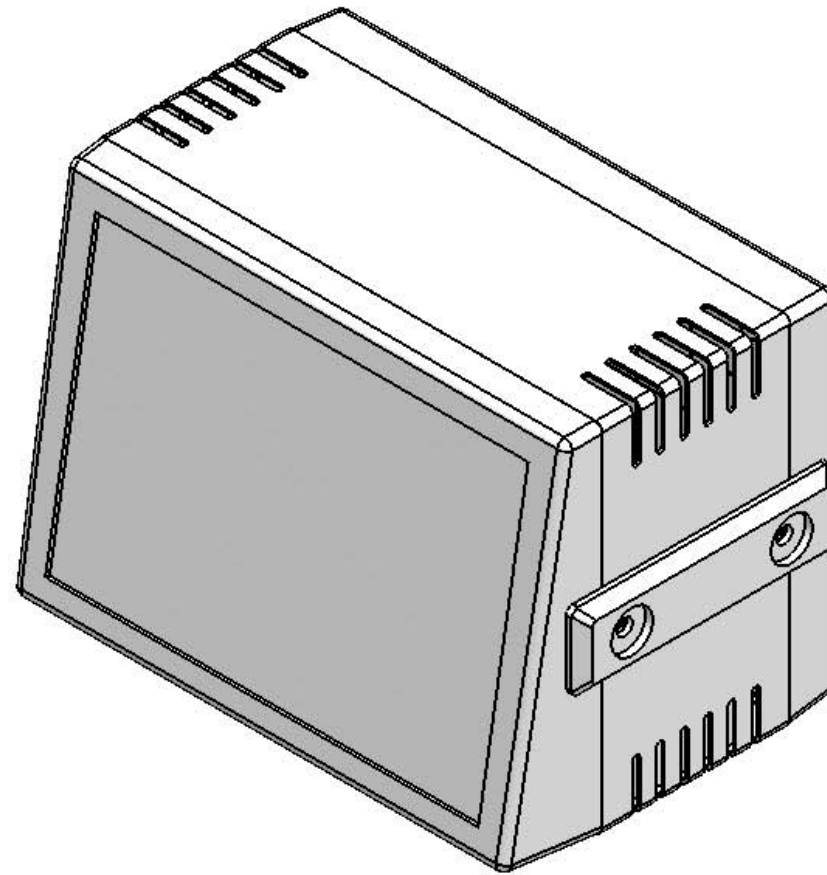

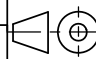
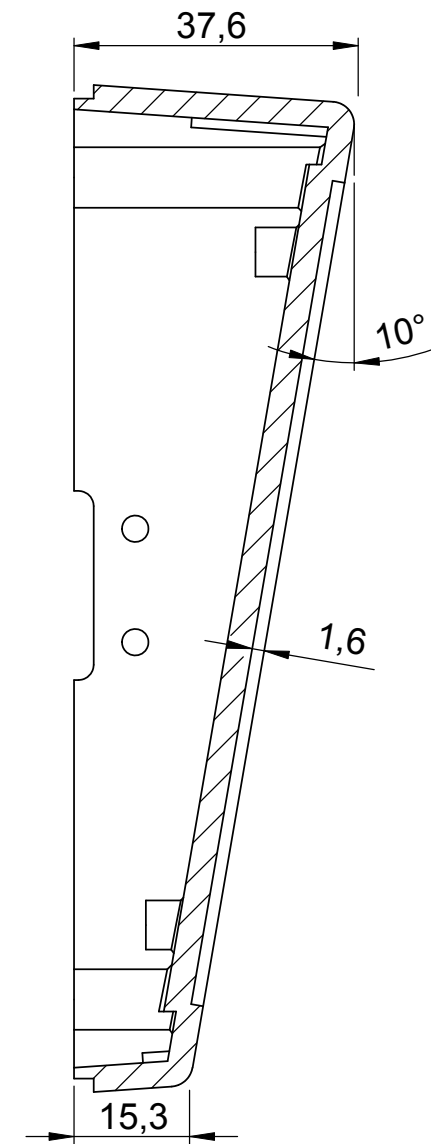
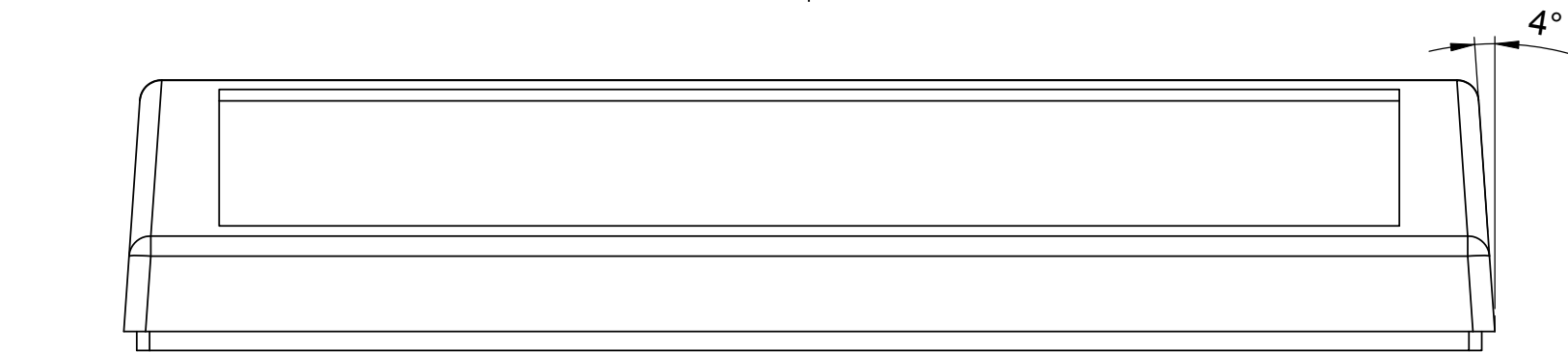
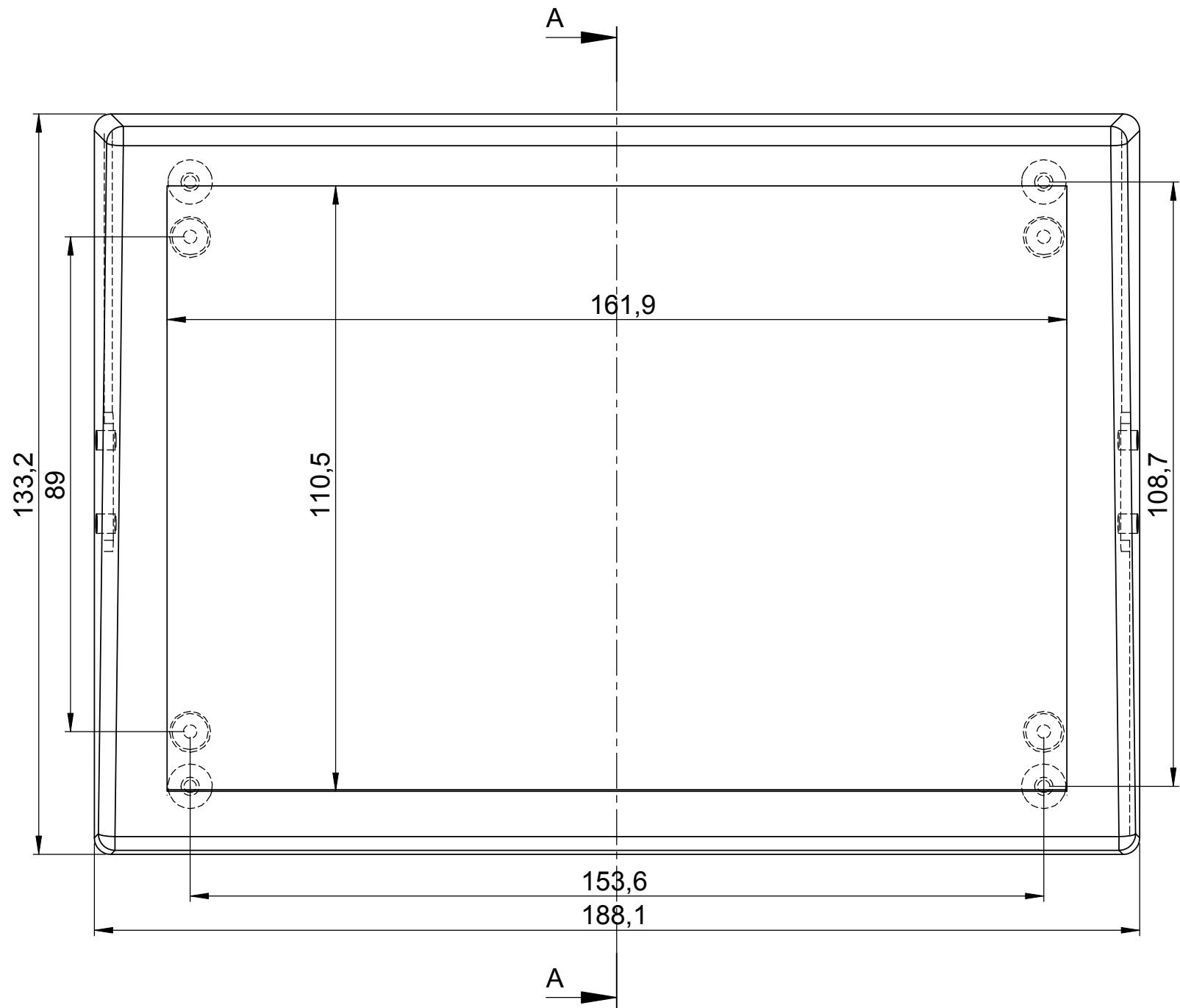


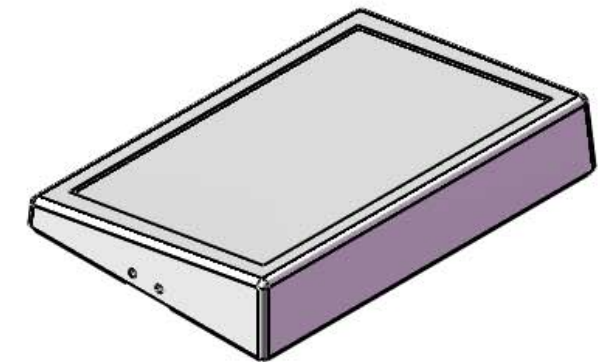
KESIT A-A



<small>PROPRIETARY AND CONFIDENTIAL. THE INFORMATION CONTAINED IN THIS DRAWING IS THE SOLE PROPERTY OF ALTINKAYA ENCLOSURES. ANY REPRODUCTION IN PART OR AS A WHOLE WITHOUT THE WRITTEN PERMISSION OF ALTINKAYA ENCLOSURES IS PROHIBITED.</small>			ARTICLE NO.:	REVISION:
<small>DRAWN</small> Dursun Daşdemir <small>CHECKED</small> Ali Altınışık <small>COMMENTS:</small> <small>MATERIAL:</small> <small>WEIGHT:</small>			 ALTINKAYA <small>ENCLOSURES FOR ELECTRONICS</small>	<small>CONTACT:</small> www.altinkaya.com.tr
			<small>TITLE:</small>	
			<small>DWG NO.</small>	DT-428-0-0-M-0
			<small>SCALE:1:2</small>	A3
			<small>SHEET 1 OF 1</small>	



SECTION A-A



PROPRIETARY AND CONFIDENTIAL
 THE INFORMATION CONTAINED IN THIS
 DRAWING IS THE SOLE PROPERTY OF
 ALTINKAYA ENCLOSURES. ANY
 REPRODUCTION IN PART OR AS A WHOLE
 WITHOUT THE WRITTEN PERMISSION OF
 ALTINKAYA ENCLOSURES IS PROHIBITED.

ARTICLE NO: _____ REVISION: _____

	NAME	DATE
DRAWN	Dursun Daşdemir	28.11.07
CHECKED	Ali Altıngök	28.11.07

ALTINKAYA
 ENCLOSURES FOR ELECTRONICS

CONTACT:
www.altinkaya.com.tr

TITLE:
DT 130 Upper body

DWG NO:
DT-130-P-1-10300

MATERIAL:

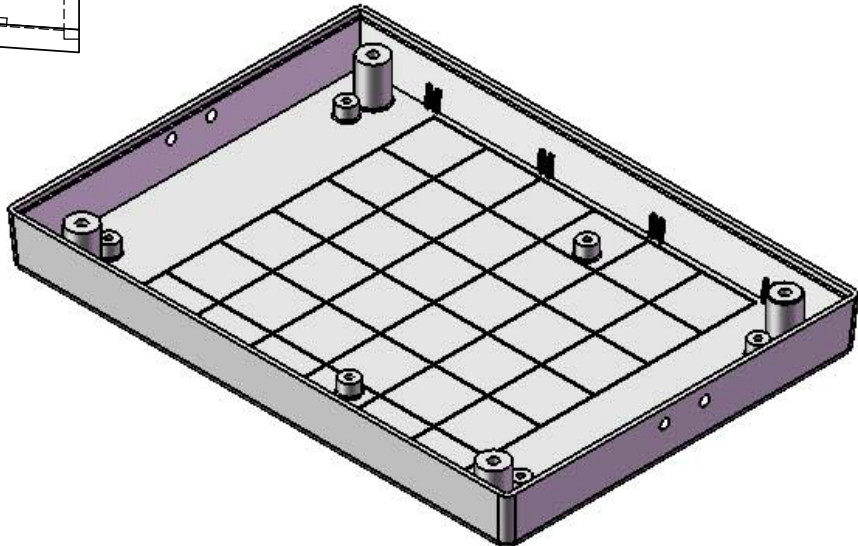
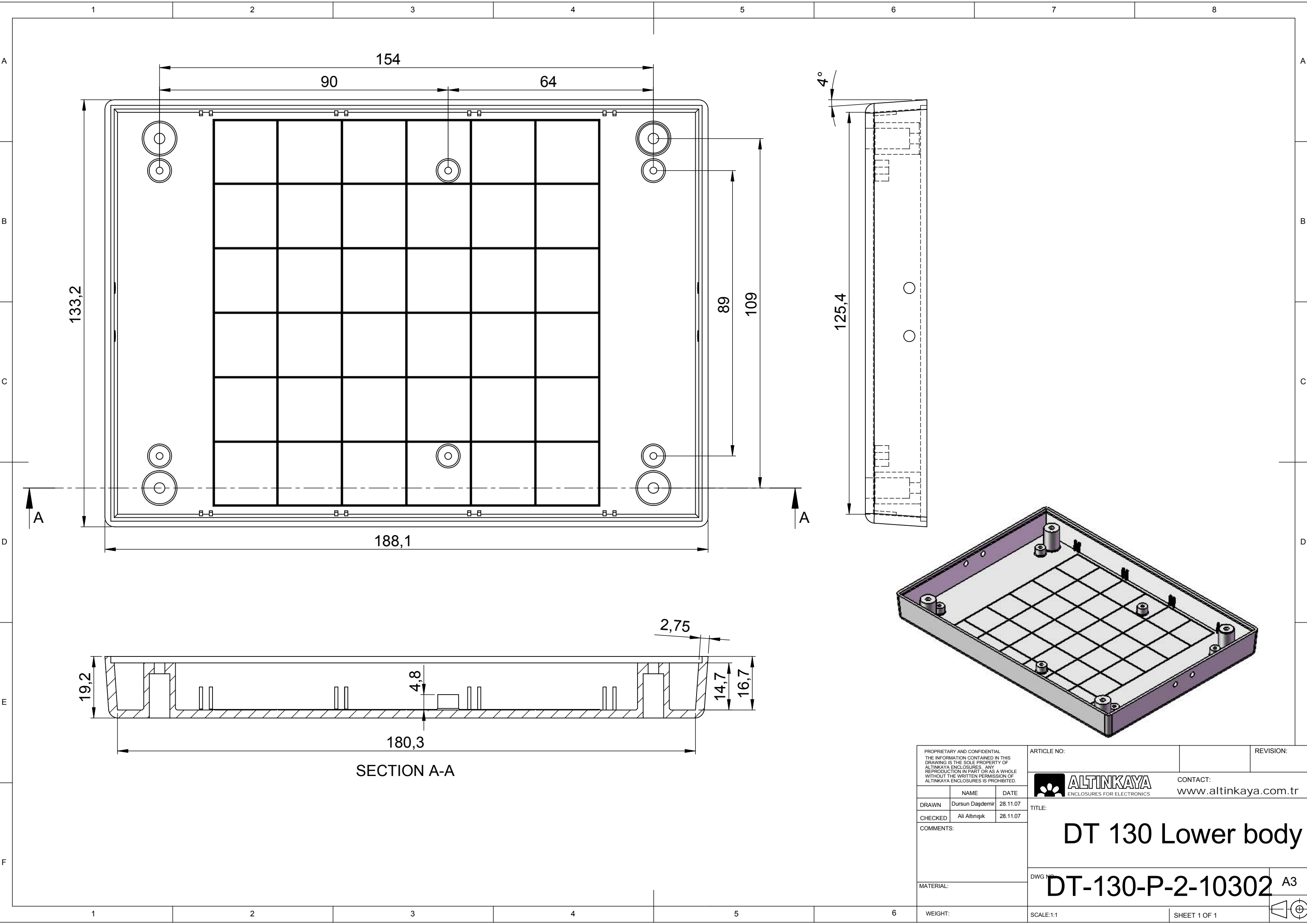
WEIGHT:

SCALE:1:1

SHEET 1 OF 1

A3





SECTION A-A

PROPRIETARY AND CONFIDENTIAL
 THE INFORMATION CONTAINED IN THIS
 DRAWING IS THE SOLE PROPERTY OF
 ALTINKAYA ENCLOSURES. ANY
 REPRODUCTION IN PART OR AS A WHOLE
 WITHOUT THE WRITTEN PERMISSION OF
 ALTINKAYA ENCLOSURES IS PROHIBITED.

ARTICLE NO: _____ REVISION: _____

ALTINKAYA
 ENCLOSURES FOR ELECTRONICS
 CONTACT: www.altinkaya.com.tr

	NAME	DATE
DRAWN	Dursun Daşdemir	28.11.07
CHECKED	Ali Altıngök	28.11.07

TITLE:
DT 130 Lower body

MATERIAL:

DWG NO: **DT-130-P-2-10302** A3

WEIGHT:

SCALE:1:1 SHEET 1 OF 1

