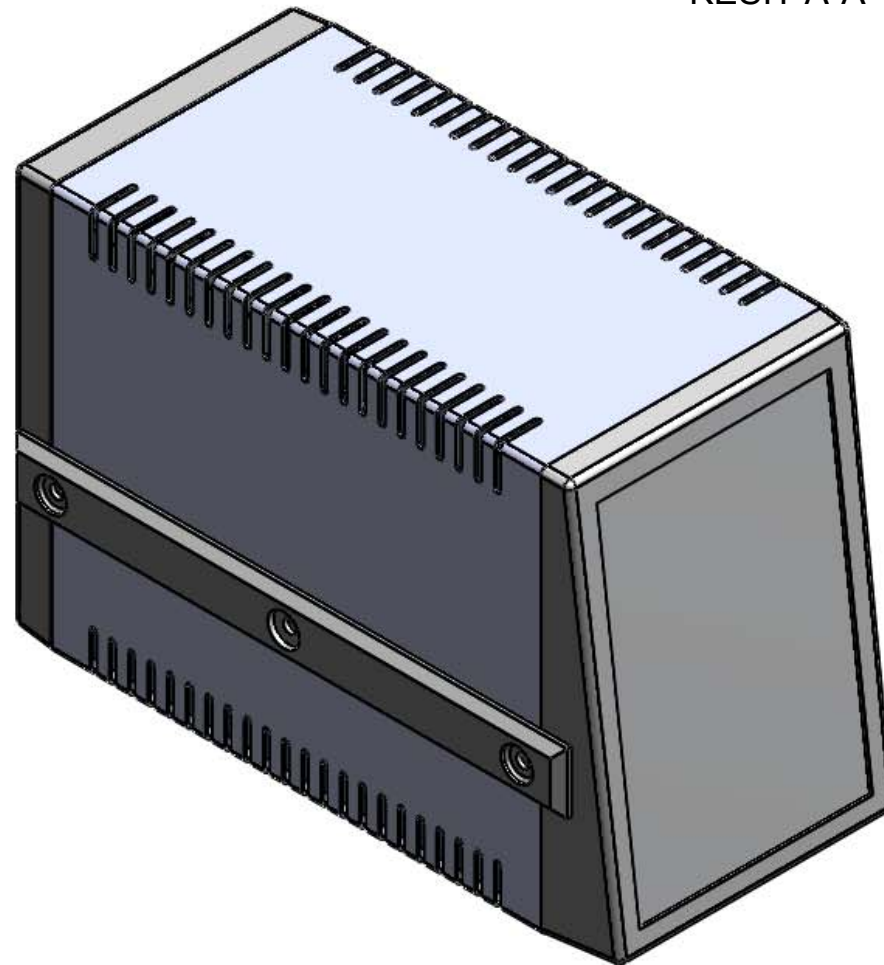

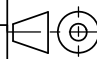
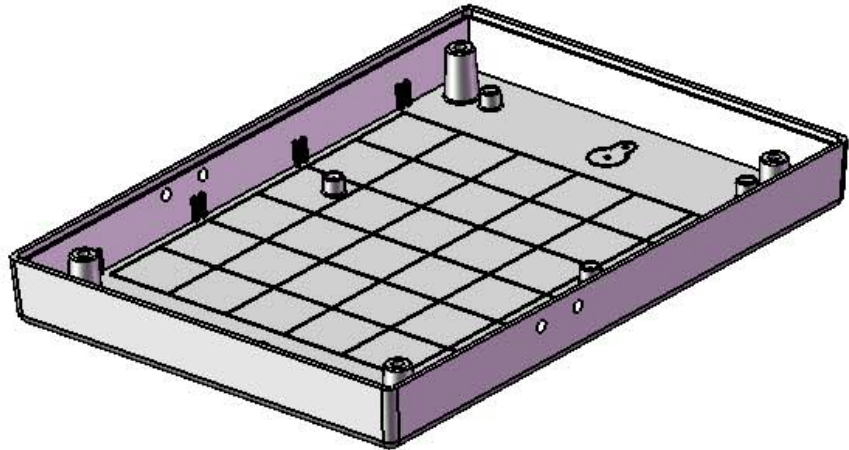
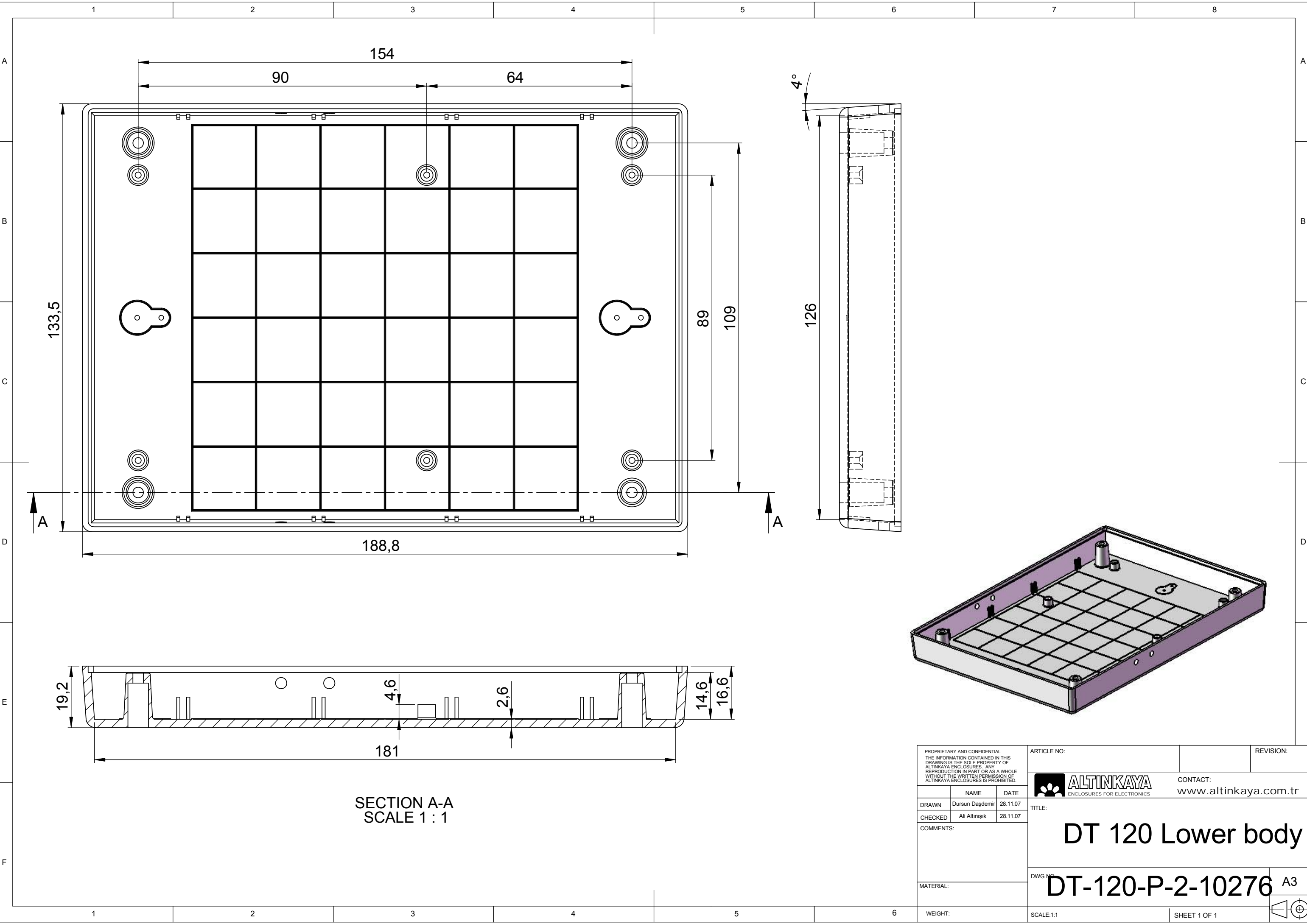



KESIT A-A



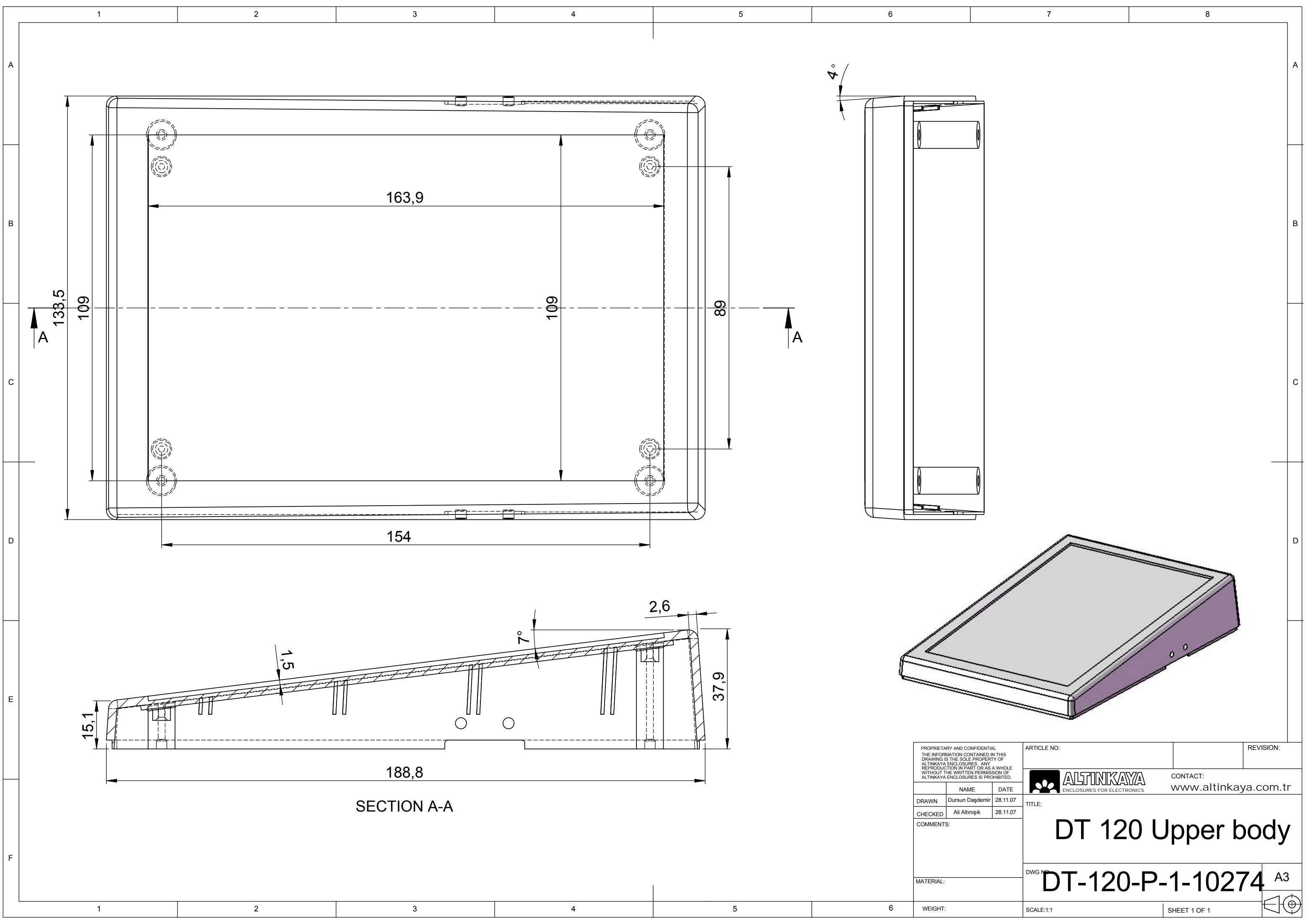
<small>PROPRIETARY AND CONFIDENTIAL THE INFORMATION CONTAINED IN THIS DRAWING IS THE SOLE PROPERTY OF ALTINKAYA ENCLOSURES. ANY REPRODUCTION IN PART OR AS A WHOLE WITHOUT THE WRITTEN PERMISSION OF ALTINKAYA ENCLOSURES IS PROHIBITED.</small>			ARTICLE NO:	REVISION:
<small>DRAWN</small> Dursun DAŞDEMİR <small>CHECKED</small> Ali Altınışık <small>COMMENTS:</small> <small>MATERIAL:</small> <small>WEIGHT:</small>			 ALTINKAYA <small>ENCLOSURES FOR ELECTRONICS</small>	<small>CONTACT:</small> www.altinkaya.com.tr
			<small>TITLE:</small>	
			<small>DWG NO.</small>	DT-422
			<small>SCALE:1:2</small>	A3
			<small>SHEET 1 OF 1</small>	




SECTION A-A
SCALE 1 : 1

<small>PROPRIETARY AND CONFIDENTIAL. THE INFORMATION CONTAINED IN THIS DRAWING IS THE SOLE PROPERTY OF ALTINKAYA ENCLOSURES. ANY REPRODUCTION IN PART OR AS A WHOLE WITHOUT THE WRITTEN PERMISSION OF ALTINKAYA ENCLOSURES IS PROHIBITED.</small>			ARTICLE NO:	REVISION:
			CONTACT: www.altinkaya.com.tr	
DRAWN	Dursun Daşdemir	DATE	28.11.07	TITLE:
CHECKED	Ali Altıngök	DATE	28.11.07	<h1>DT 120 Lower body</h1>
COMMENTS:				
MATERIAL:			DWG NO:	A3
WEIGHT:			SCALE:1:1	SHEET 1 OF 1

DT-120-P-2-10276



SECTION A-A

<small>PROPRIETARY AND CONFIDENTIAL. THE INFORMATION CONTAINED IN THIS DRAWING IS THE SOLE PROPERTY OF ALTINKAYA ENCLOSURES. ANY REPRODUCTION IN PART OR AS A WHOLE WITHOUT THE WRITTEN PERMISSION OF ALTINKAYA ENCLOSURES IS PROHIBITED.</small>		ARTICLE NO:	REVISION:						
<table border="1"> <thead> <tr> <th>NAME</th> <th>DATE</th> </tr> </thead> <tbody> <tr> <td>Dursun Daşdemir</td> <td>28.11.07</td> </tr> <tr> <td>Ali Altınşık</td> <td>28.11.07</td> </tr> </tbody> </table>		NAME	DATE	Dursun Daşdemir	28.11.07	Ali Altınşık	28.11.07	 <small>ENCLOSURES FOR ELECTRONICS</small>	CONTACT: www.altinkaya.com.tr
NAME	DATE								
Dursun Daşdemir	28.11.07								
Ali Altınşık	28.11.07								
DRAWN: Dursun Daşdemir 28.11.07 CHECKED: Ali Altınşık 28.11.07 COMMENTS:		TITLE: <h1>DT 120 Upper body</h1>							
MATERIAL:		DWG NO: <h1>DT-120-P-1-10274</h1>	A3						
WEIGHT:		SCALE:1:1	SHEET 1 OF 1						