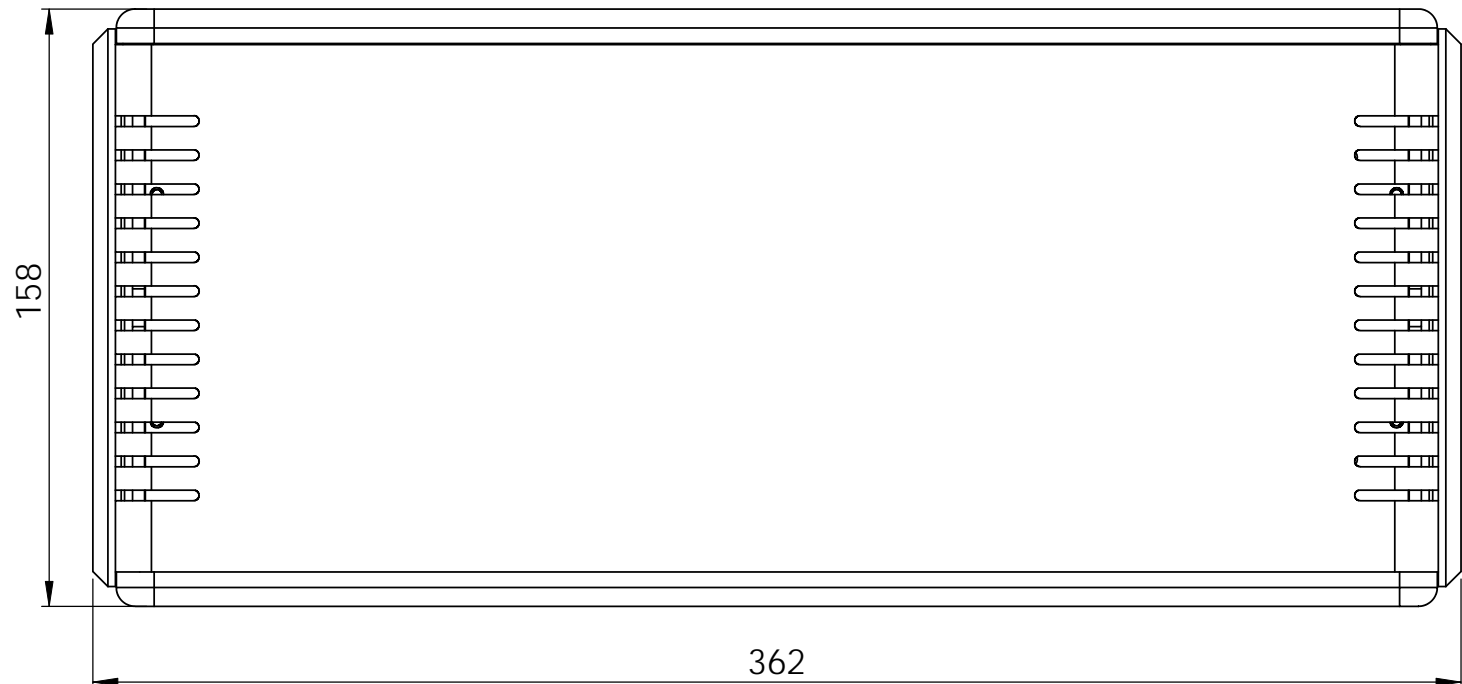
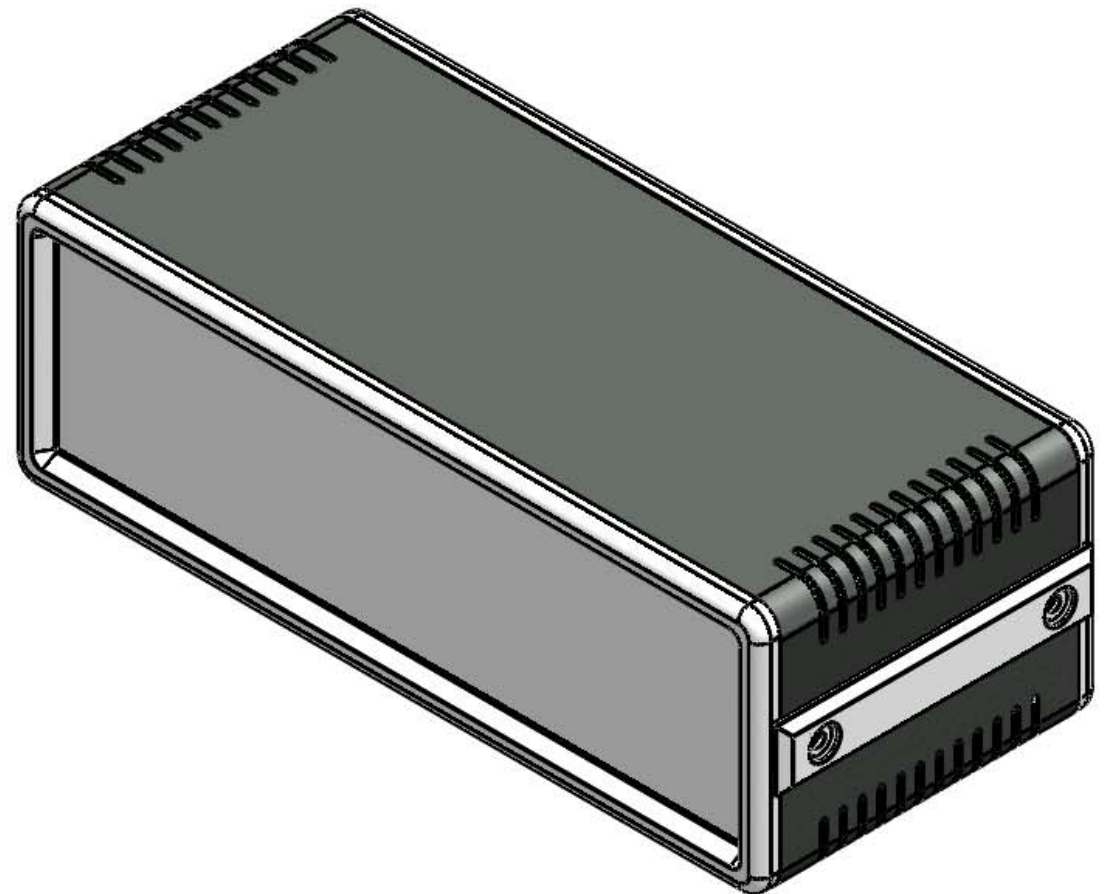

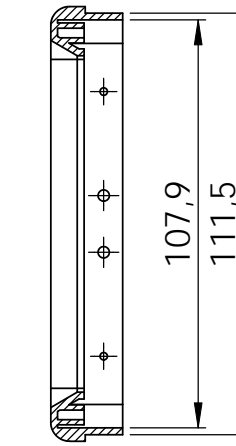
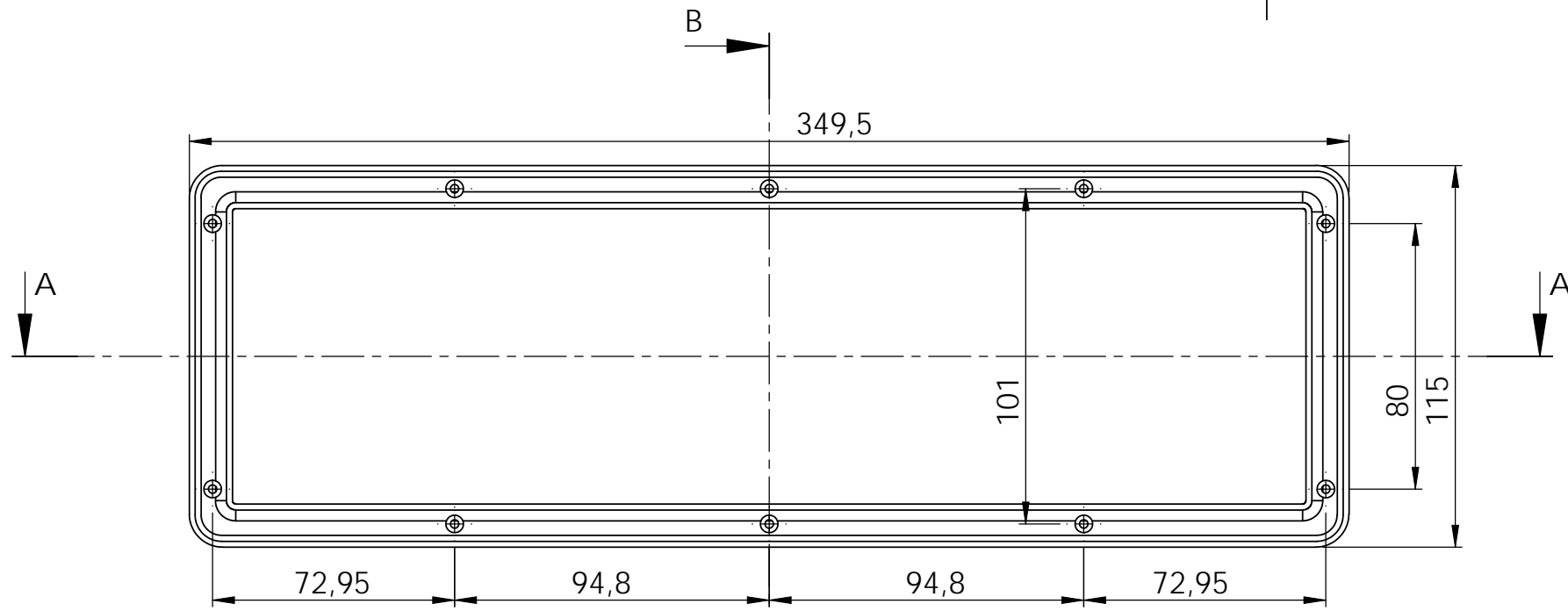


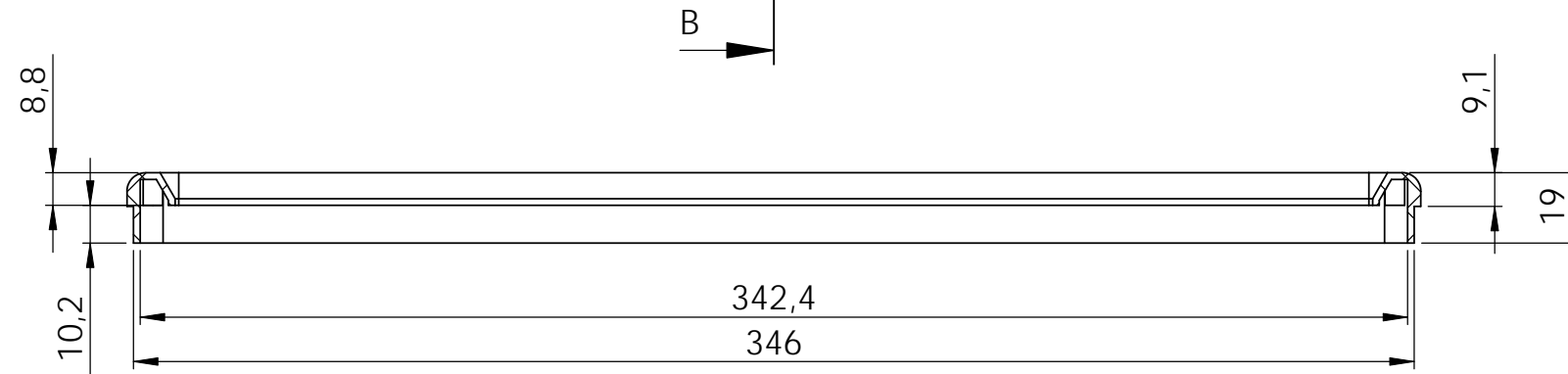
KESIT A-A



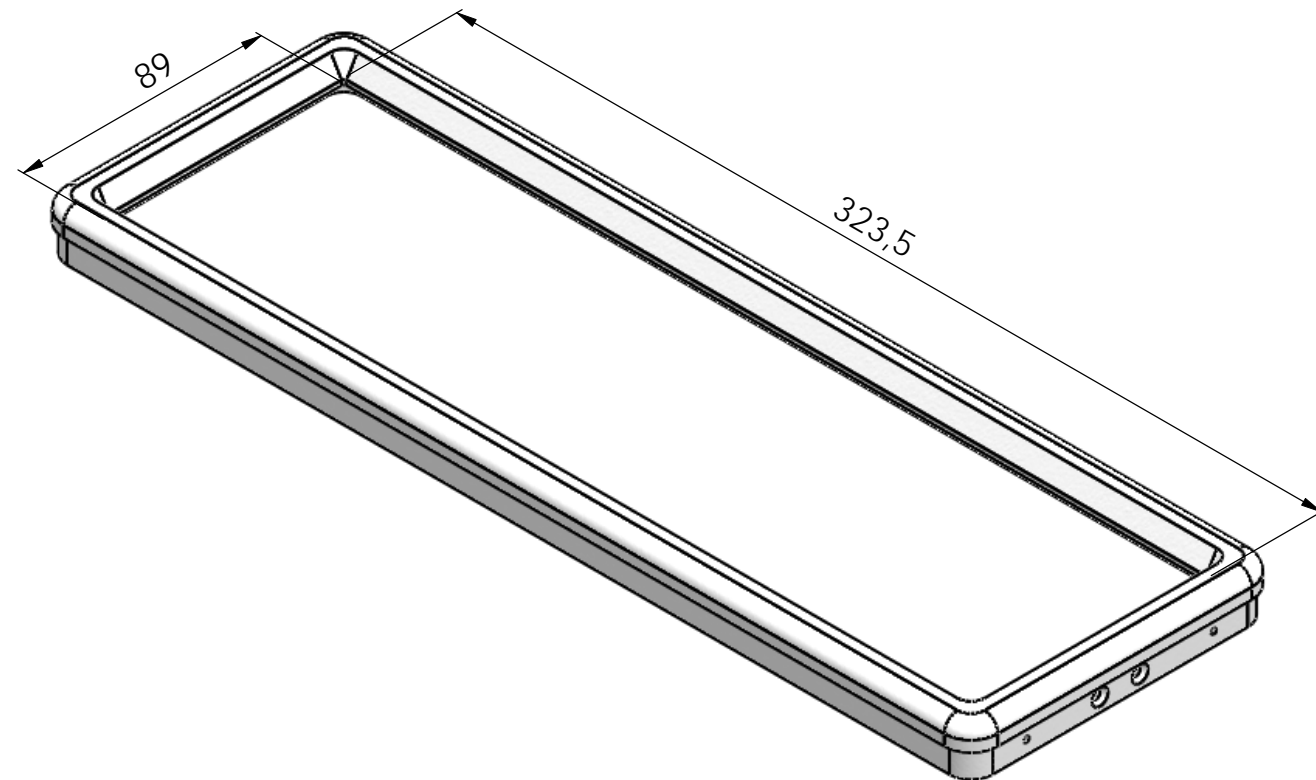
<small>PROPRIETARY AND CONFIDENTIAL. THE INFORMATION CONTAINED IN THIS DRAWING IS THE SOLE PROPERTY OF ALTINKAYA ENCLOSURES. ANY REPRODUCTION IN PART OR AS A WHOLE WITHOUT THE WRITTEN PERMISSION OF ALTINKAYA ENCLOSURES IS PROHIBITED.</small>			ARTICLE NO.:	REVISION:							
<table border="1"> <thead> <tr> <th>NAME</th> <th>DATE</th> </tr> </thead> <tbody> <tr> <td>Dursun Daşdemir</td> <td></td> </tr> <tr> <td>Ali Altınışık</td> <td></td> </tr> </tbody> </table>			NAME	DATE	Dursun Daşdemir		Ali Altınışık		 <b>ALTINKAYA</b> <small>ENCLOSURES FOR ELECTRONICS</small>		CONTACT: www.altinkaya.com.tr
NAME	DATE										
Dursun Daşdemir											
Ali Altınışık											
<table border="1"> <thead> <tr> <th>DRAWN</th> <th>CHECKED</th> <th>COMMENTS:</th> </tr> </thead> <tbody> <tr> <td>Dursun Daşdemir</td> <td>Ali Altınışık</td> <td></td> </tr> </tbody> </table>			DRAWN	CHECKED	COMMENTS:	Dursun Daşdemir	Ali Altınışık		TITLE:		
DRAWN	CHECKED	COMMENTS:									
Dursun Daşdemir	Ali Altınışık										
MATERIAL:			DWG NO. <b>DT-346</b>	A3							
WEIGHT:			SCALE:1:2	SHEET 1 OF 1							



KESIT B-B



KESIT A-A



<small>PROPRIETARY AND CONFIDENTIAL. THE INFORMATION CONTAINED IN THIS DRAWING IS THE SOLE PROPERTY OF ALTINKAYA ENCLOSURES. ANY REPRODUCTION IN PART OR AS A WHOLE WITHOUT THE WRITTEN PERMISSION OF ALTINKAYA ENCLOSURES IS PROHIBITED.</small>			ARTICLE NO.:	REVISION:
<small>DRAWN</small> Dursun Daşdemir				CONTACT: <a href="http://www.altinkaya.com.tr">www.altinkaya.com.tr</a>
<small>CHECKED</small> Ali Altınışık				TITLE:
<small>COMMENTS:</small>			DWG NO.	A3
<small>MATERIAL:</small>			cerceve	
<small>WEIGHT:</small>			SCALE:1:2	SHEET 1 OF 1