

ITEM NO.	PART NUMBER	DESCRIPTION	QTY.
1	DM-003-P-1-11136	Flanged Base	1
2	PCB Sample	Not Included	1
3	DM-003-P-2-11137	Cover	1
4	A-635-0-0-M-0-11100	2,9 x 9,5 mm YHB SC Metallic Screw	2

PROPRIETARY AND CONFIDENTIAL  
 THE INFORMATION CONTAINED IN THIS  
 DRAWING IS THE SOLE PROPERTY OF  
 ALTINKAYA ENCLOSURES. ANY  
 REPRODUCTION IN PART OR AS A WHOLE  
 WITHOUT THE WRITTEN PERMISSION OF  
 ALTINKAYA ENCLOSURES IS PROHIBITED.

ARTICLE NO: \_\_\_\_\_ REVISION: \_\_\_\_\_

**ALTINKAYA**  
 ENCLOSURES FOR ELECTRONICS

CONTACT:  
[www.altinkaya.com.tr](http://www.altinkaya.com.tr)

DRAWN: Dursun Dagdemir 12.12.07  
 CHECKED: Ali Altinçik 12.12.07

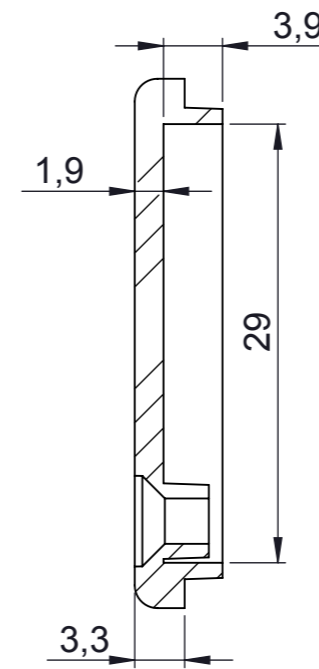
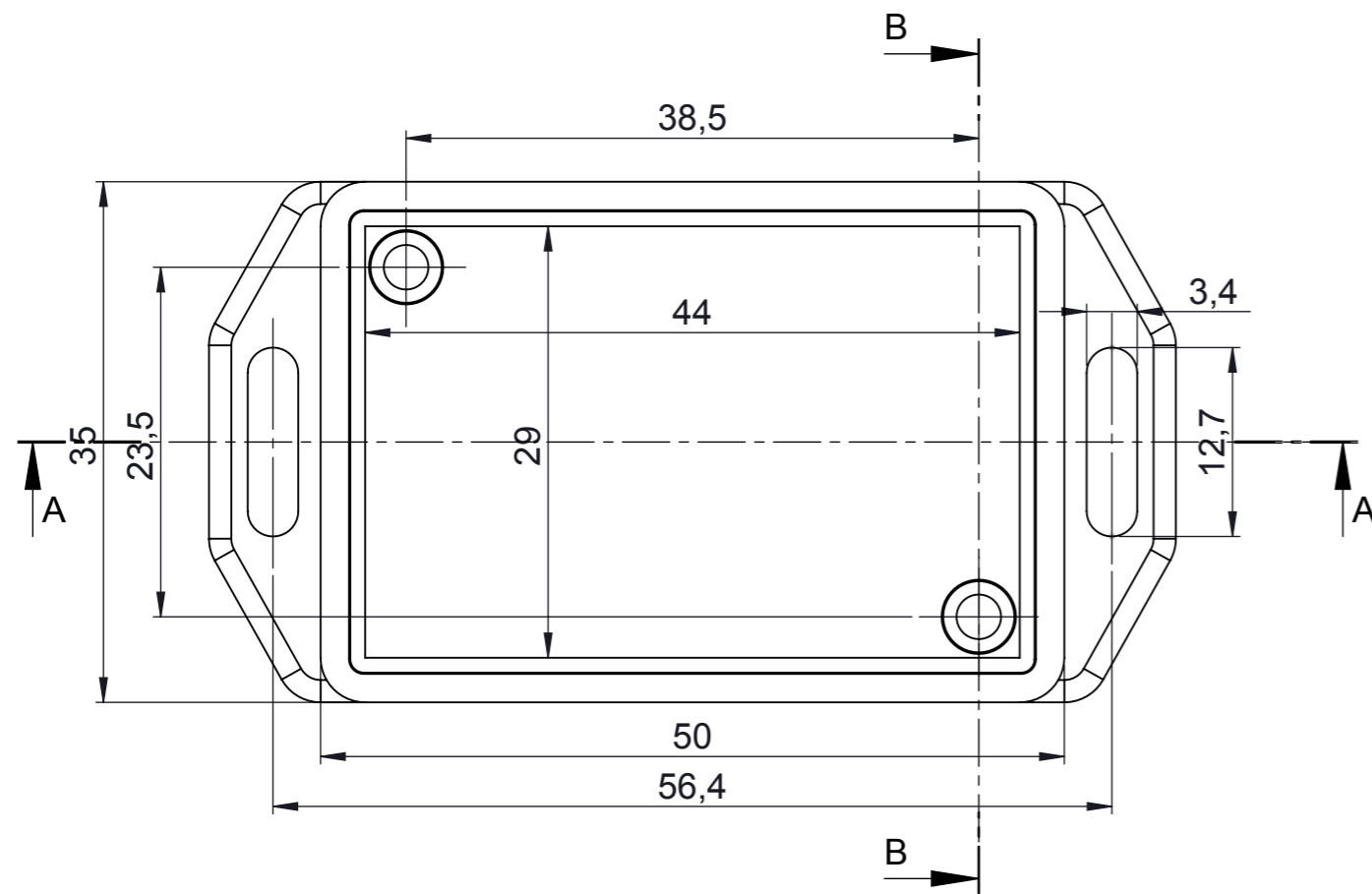
TITLE:  
**Wall Mount Enclosure**

COMMENTS:

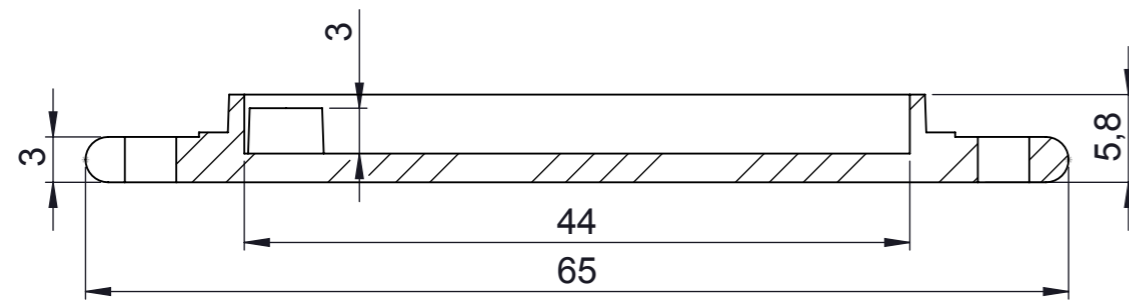
MATERIAL:

DWG NO:  
**DM-003-0-0-11210** A3

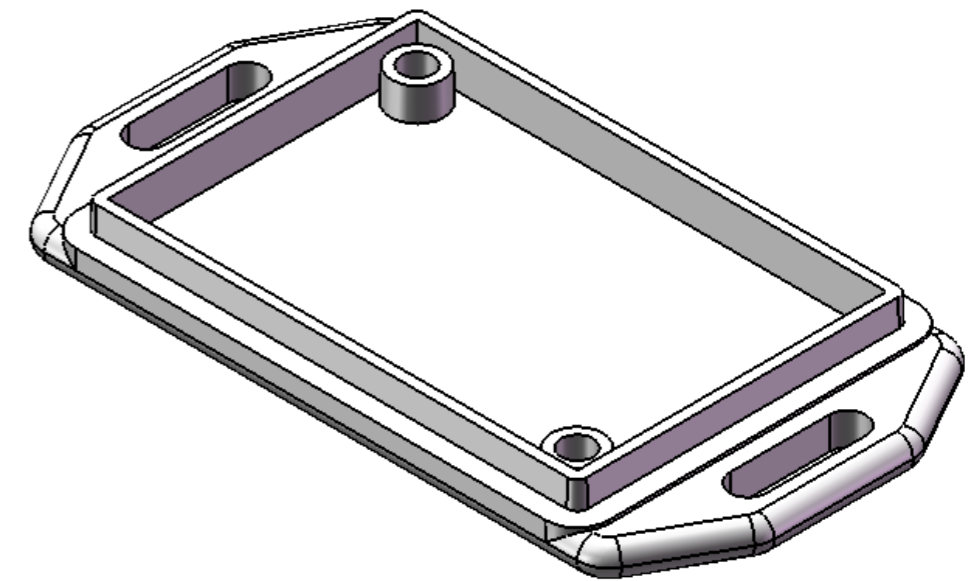
WEIGHT: \_\_\_\_\_ SCALE: 3:1 SHEET 1 OF 1




SECTION B-B

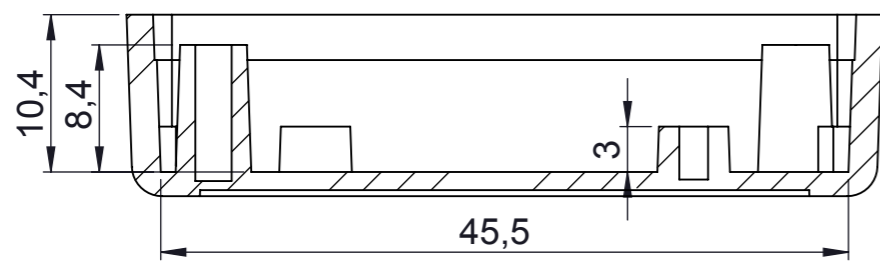
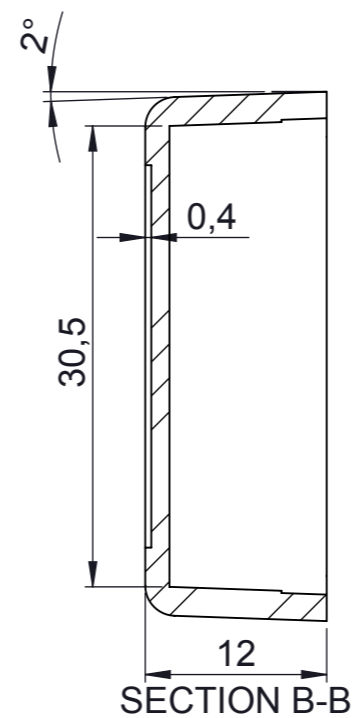
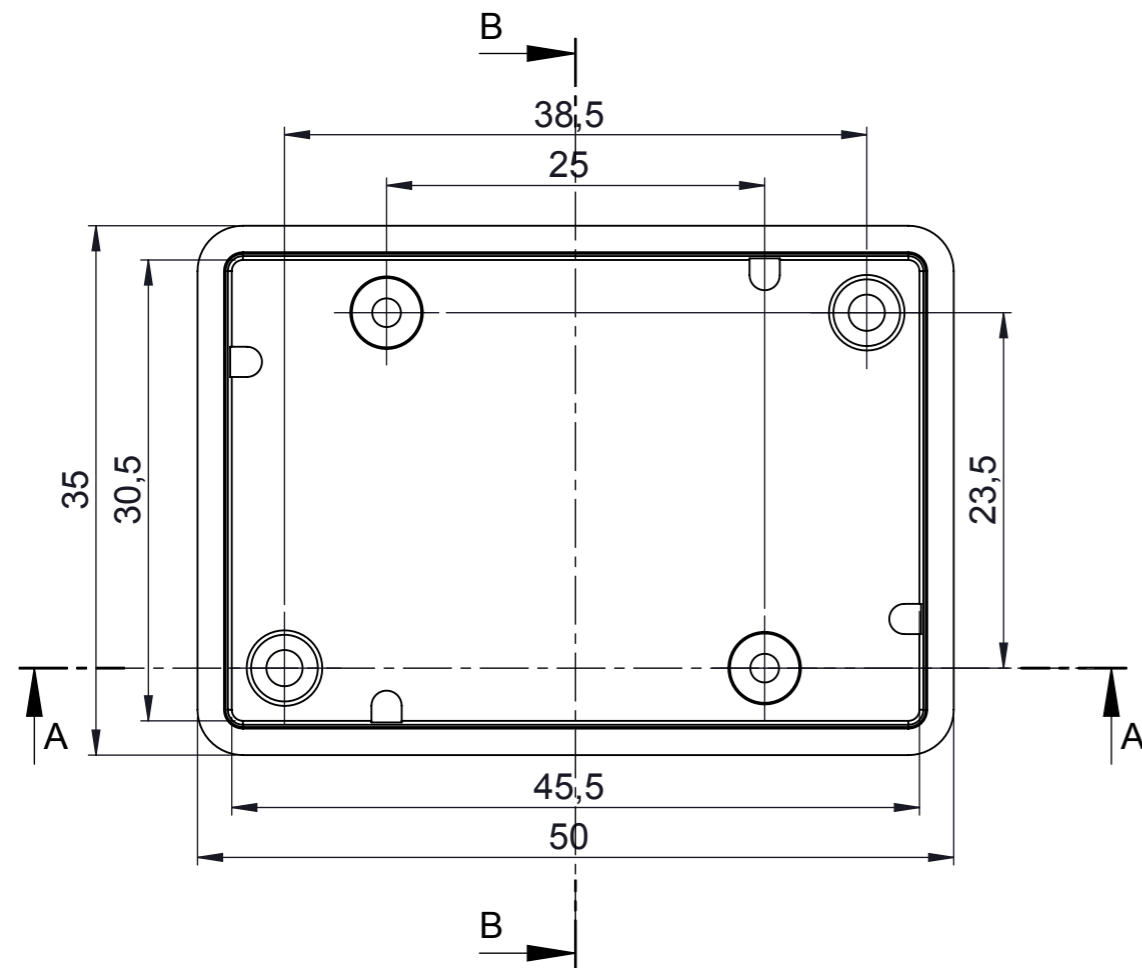


SECTION A-A

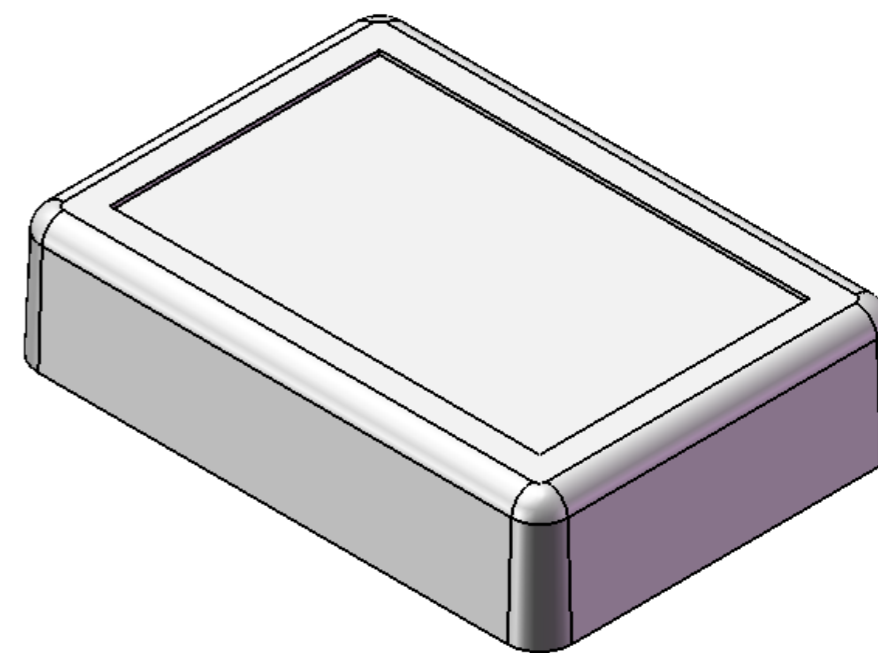


<small>PROPRIETARY AND CONFIDENTIAL THE INFORMATION CONTAINED IN THIS DRAWING IS THE SOLE PROPERTY OF ALTINKAYA ENCLOSURES. ANY REPRODUCTION IN PART OR AS A WHOLE WITHOUT THE WRITTEN PERMISSION OF ALTINKAYA ENCLOSURES IS PROHIBITED.</small>		ARTICLE NO:	REVISION:
<small>DRAWN</small> Dursun Dagdemir 12.12.07 <small>CHECKED</small> Ali Altinçik 12.12.07 <small>COMMENTS:</small>		 <small>ENCLOSURES FOR ELECTRONICS</small>	<small>CONTACT:</small> <a href="http://www.altinkaya.com.tr">www.altinkaya.com.tr</a>
<small>MATERIAL:</small>		<h1>Flanged Base</h1>	
<small>WEIGHT:</small>		<small>DWG NO:</small> <h2>DM-003-P-1-11136</h2>	
<small>SCALE:</small> 2:1		<small>SHEET</small> 1 OF 1	





SECTION A-A



PROPRIETARY AND CONFIDENTIAL  
THE INFORMATION CONTAINED IN THIS  
DRAWING IS THE SOLE PROPERTY OF  
ALTINKAYA ENCLOSURES. ANY  
REPRODUCTION IN PART OR AS A WHOLE  
WITHOUT THE WRITTEN PERMISSION OF  
ALTINKAYA ENCLOSURES IS PROHIBITED.

ARTICLE NO:

REVISION:



CONTACT:

[www.altinkaya.com.tr](http://www.altinkaya.com.tr)

	NAME	DATE
DRAWN	Dursun Dasdemir	12.12.07
CHECKED	Ali Altinçik	12.12.07
COMMENTS:		

TITLE:

Cover

MATERIAL:

DWG NO:

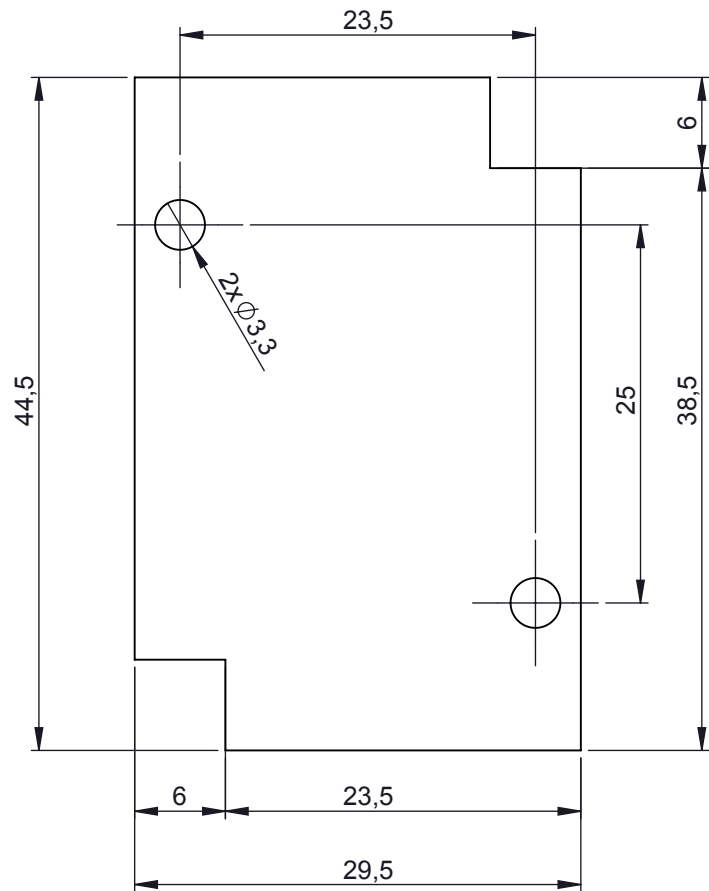
DM-003-P-2-11137 A3

WEIGHT:

SCALE:2:1

SHEET 1 OF 1





	NAME	DATE	ARTICLE NO:	REVISION:	TITLE:
DRAWN	Dursun Daşdemir	12.12.07			<h1>Not Included</h1>
CHECKED	Ali Altınışık	12.12.07			
 <b>ALTINKAYA</b> <small>ENCLOSURES FOR ELECTRONICS</small> <a href="http://www.altinkaya.com.tr">www.altinkaya.com.tr</a>			COMMENTS: DIMENSIONS ARE IN MILLIMETERS, DEBUR AND BREAK SHARP EDGES		
<b>PROPRIETARY AND CONFIDENTIAL</b> <small>THE INFORMATION CONTAINED IN THIS DRAWING IS THE SOLE PROPERTY OF ALTINKAYA ENCLOSURES. ANY REPRODUCTION IN PART OR AS A WHOLE WITHOUT THE WRITTEN PERMISSION OF ALTINKAYA ENCLOSURES IS PROHIBITED.</small>			DWG NO.		<h1>PCB Sample</h1>
			MATERIAL:		A4

		WEIGHT:		SCALE:2:1		SHEET 1 OF 1	
				