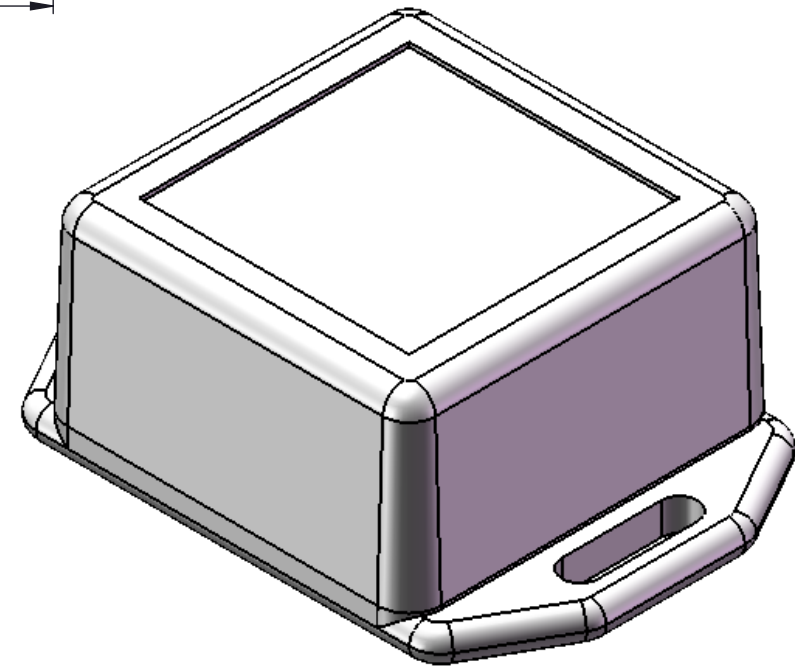

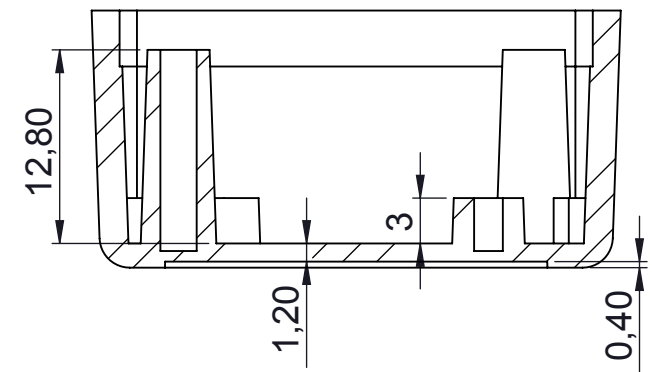
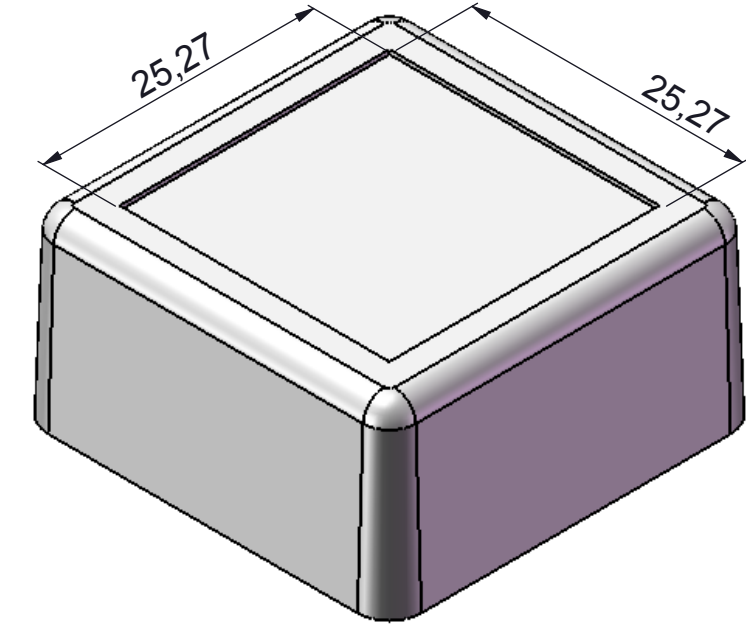
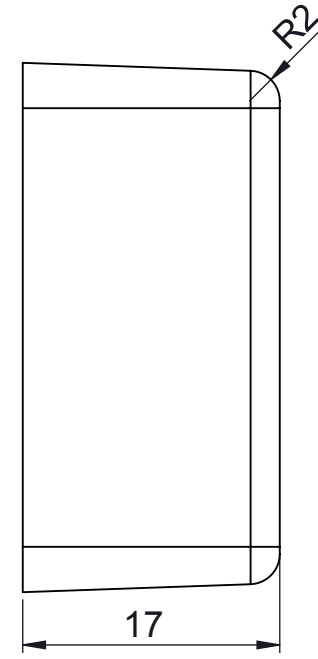
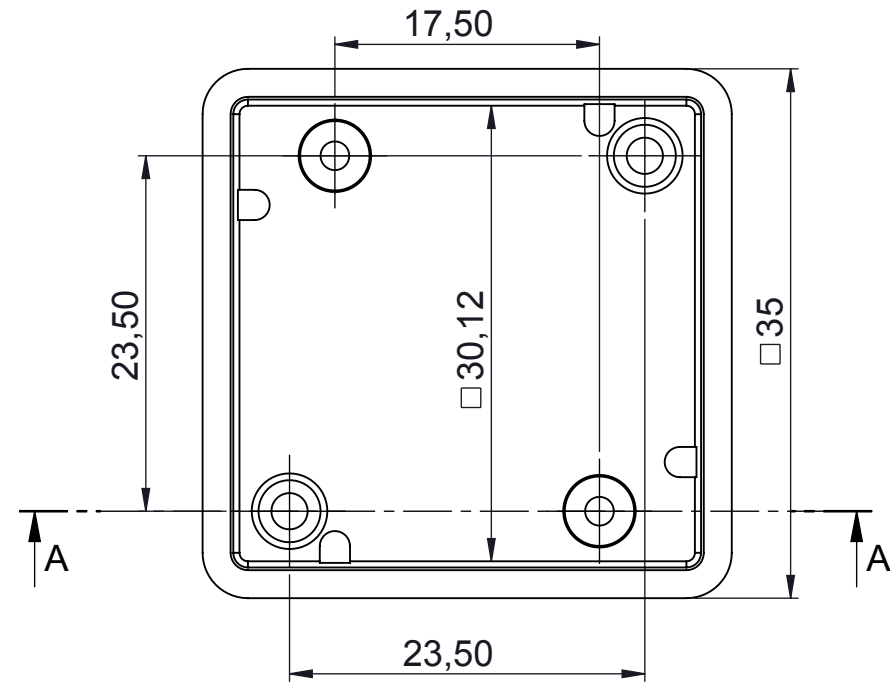



SECTION A-A

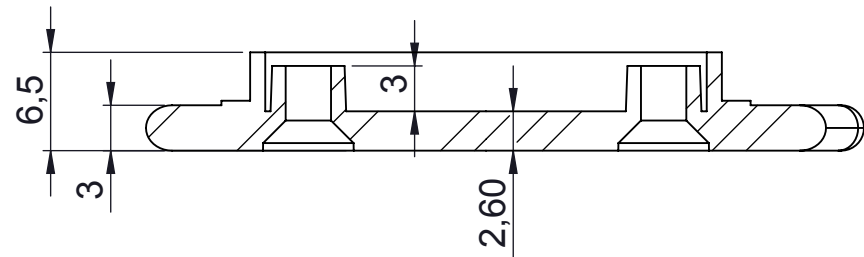
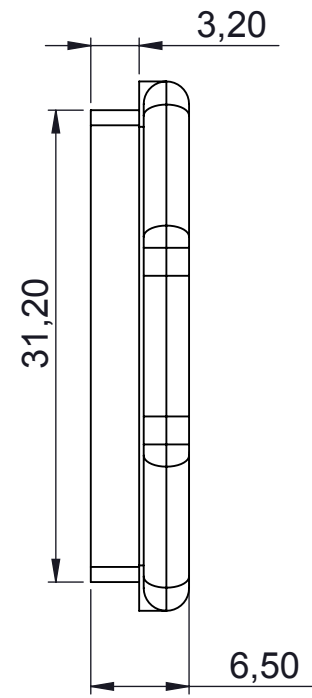
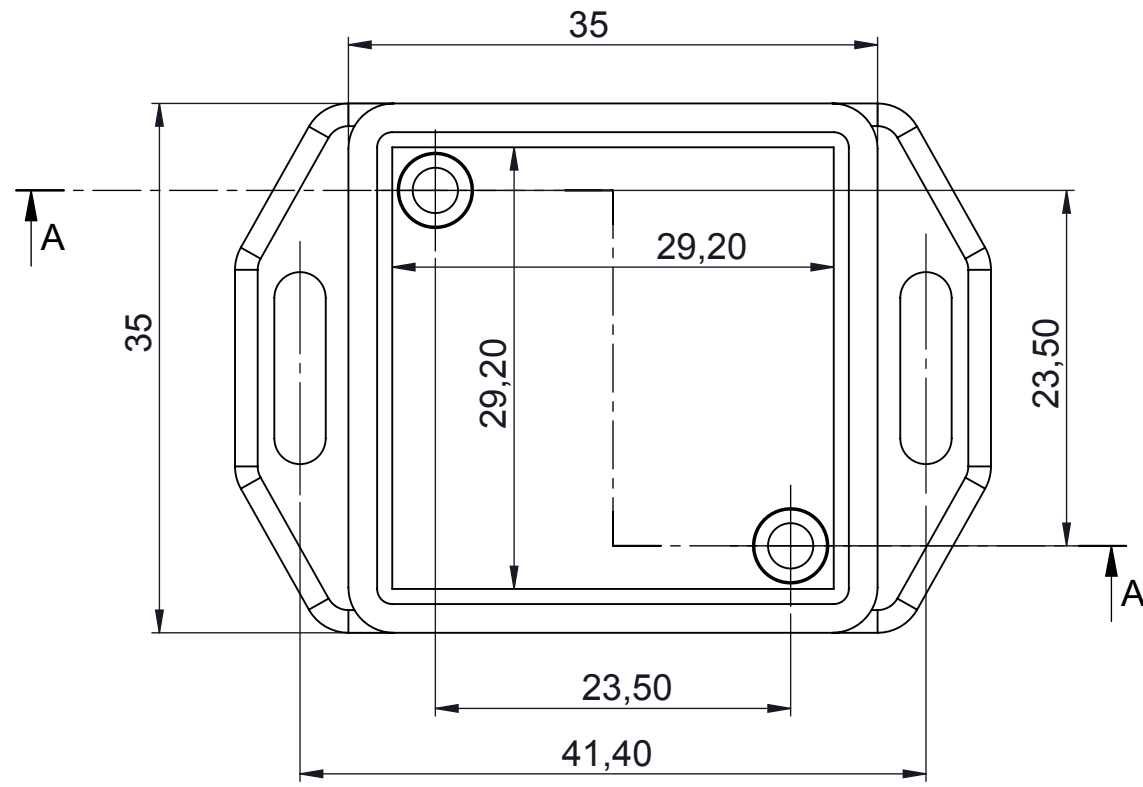


<small>PROPRIETARY AND CONFIDENTIAL THE INFORMATION CONTAINED IN THIS DRAWING IS THE SOLE PROPERTY OF ALTINKAYA ENCLOSURES. ANY REPRODUCTION IN PART OR AS A WHOLE WITHOUT THE WRITTEN PERMISSION OF ALTINKAYA ENCLOSURES IS PROHIBITED.</small>			ARTICLE NO:	REVISION:						
<table border="1"> <thead> <tr> <th>NAME</th> <th>DATE</th> </tr> </thead> <tbody> <tr> <td>DRAWN Dursun Daşdemir</td> <td>14.07.08</td> </tr> <tr> <td>CHECKED Ali Altınışık</td> <td>14.07.08</td> </tr> </tbody> </table>			NAME	DATE	DRAWN Dursun Daşdemir	14.07.08	CHECKED Ali Altınışık	14.07.08		CONTACT: www.altinkaya.com.tr
NAME	DATE									
DRAWN Dursun Daşdemir	14.07.08									
CHECKED Ali Altınışık	14.07.08									
COMMENTS:			TITLE: DM 002 Wall Mountable Enclosure							
MATERIAL:			DWG NO: DM-002-0-0-G-011336	A3						
WEIGHT:			SCALE:2:1	SHEET 1 OF 1						

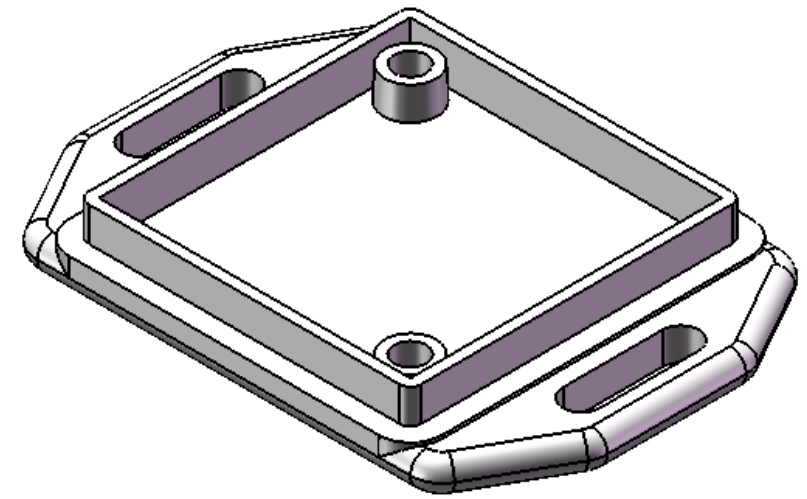



SECTION A-A

<small>PROPRIETARY AND CONFIDENTIAL THE INFORMATION CONTAINED IN THIS DRAWING IS THE SOLE PROPERTY OF ALTINKAYA ENCLOSURES. ANY REPRODUCTION IN PART OR AS A WHOLE WITHOUT THE WRITTEN PERMISSION OF ALTINKAYA ENCLOSURES IS PROHIBITED.</small>			ARTICLE NO:	REVISION:
<small>DRAWN</small> Dursun Daşdemir 14.07.08 <small>CHECKED</small> Ali Altınışık 14.07.08 <small>COMMENTS:</small> <small>MATERIAL:</small> <small>WEIGHT:</small>			 ALTINKAYA <small>ENCLOSURES FOR ELECTRONICS</small>	<small>CONTACT:</small> www.altinkaya.com.tr
			<h3>DM-002 Cover</h3>	
			<small>DWG NO:</small> DM-002-P-1-G-0-11135	<small>A3</small>
			<small>SCALE:</small> 2:1	<small>SHEET</small> 1 OF 1



SECTION A-A



<small>PROPRIETARY AND CONFIDENTIAL THE INFORMATION CONTAINED IN THIS DRAWING IS THE SOLE PROPERTY OF ALTINKAYA ENCLOSURES. ANY REPRODUCTION IN PART OR AS A WHOLE WITHOUT THE WRITTEN PERMISSION OF ALTINKAYA ENCLOSURES IS PROHIBITED.</small>			ARTICLE NO:	REVISION:
<small>DRAWN</small> Dursun Daşdemir 14.07.08 <small>CHECKED</small> Ali Altınışık 14.07.08 <small>COMMENTS:</small> <small>MATERIAL:</small> <small>WEIGHT:</small>			 ALTINKAYA <small>ENCLOSURES FOR ELECTRONICS</small>	<small>CONTACT:</small> www.altinkaya.com.tr
			<h2>DM-001 Body</h2>	
			<small>DWG NO.</small> DM-001-P-1-G-011133	<small>SCALE:</small> 2:1
			<small>SHEET</small> 1 OF 1	