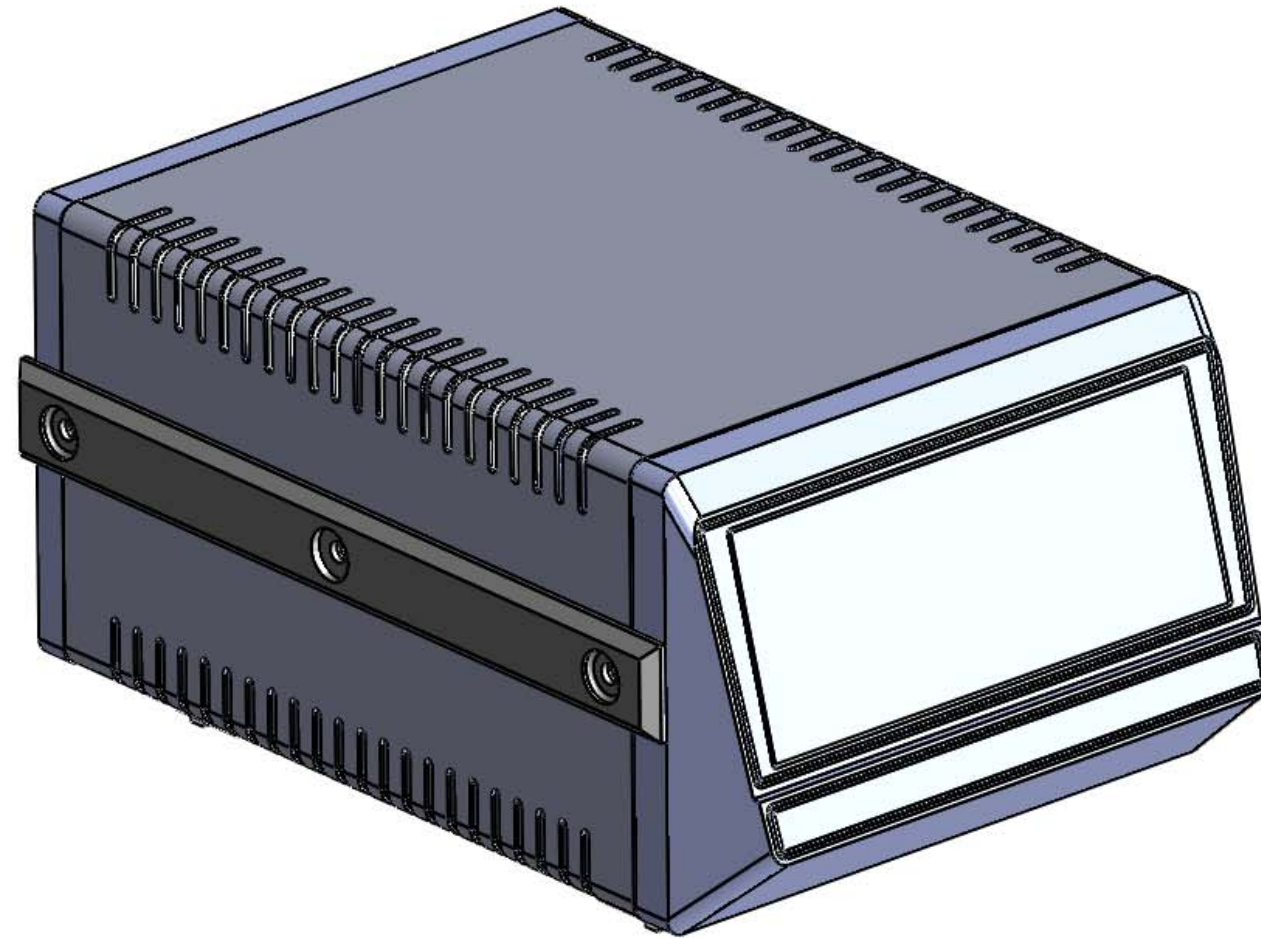


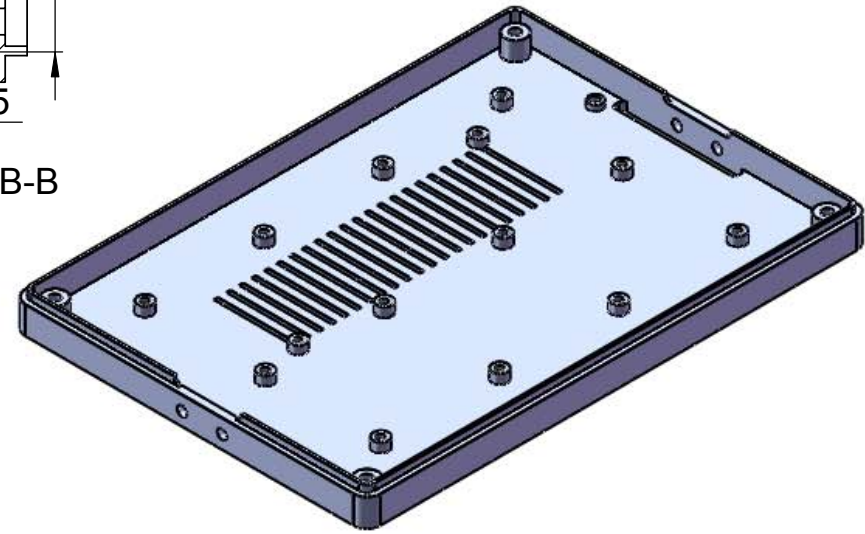
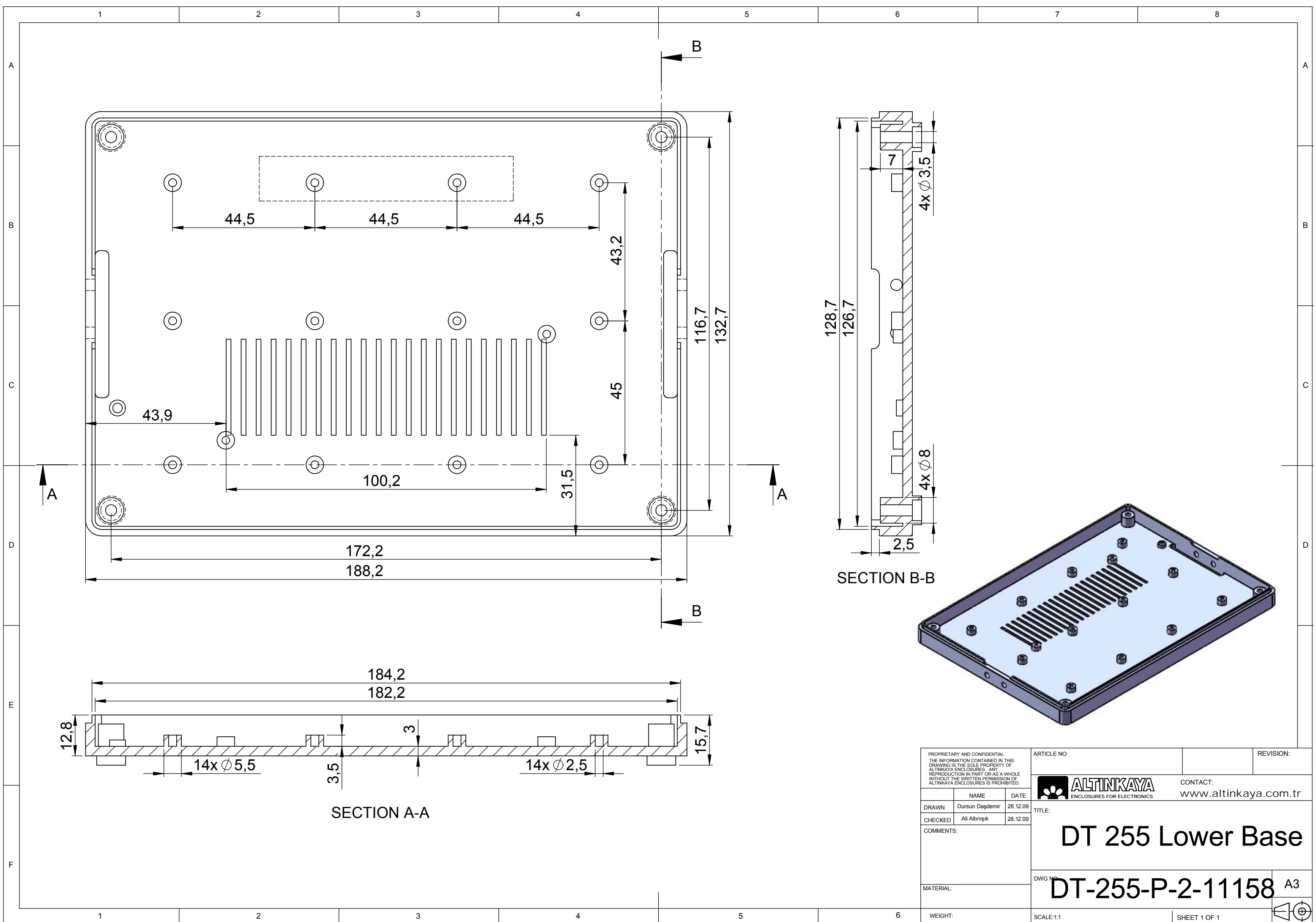



KESIT A-A

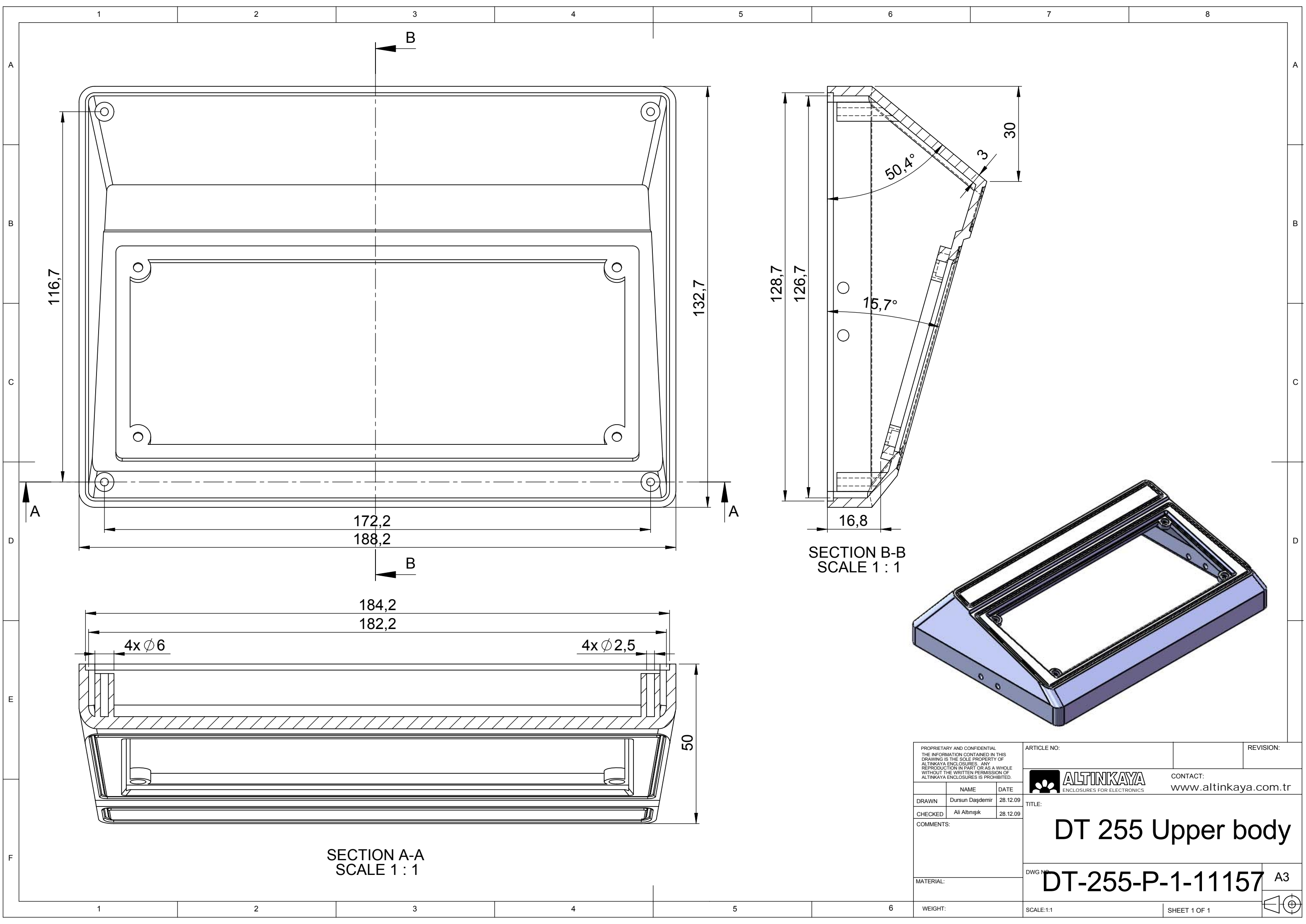


<small>PROPRIETARY AND CONFIDENTIAL THE INFORMATION CONTAINED IN THIS DRAWING IS THE SOLE PROPERTY OF ALTINKAYA ENCLOSURES. ANY REPRODUCTION IN PART OR AS A WHOLE WITHOUT THE WRITTEN PERMISSION OF ALTINKAYA ENCLOSURES IS PROHIBITED.</small>			ARTICLE NO:	REVISION:
<small>DRAWN</small> Dursun DAŞDEMİR			 <b>ALTINKAYA</b> ENCLOSURES FOR ELECTRONICS	CONTACT: www.altinkaya.com.tr
<small>CHECKED</small> Ali Altınışık				TITLE:
<small>COMMENTS:</small>			DWG NO.	<b>DT-455</b>
<small>MATERIAL:</small>			SCALE:1:2	A3
<small>WEIGHT:</small>			SHEET 1 OF 1	



<small>PROPRIETARY AND CONFIDENTIAL. THE INFORMATION CONTAINED IN THIS DRAWING IS THE SOLE PROPERTY OF ALTINKAYA ENCLOSURES. ANY REPRODUCTION IN PART OR AS A WHOLE WITHOUT THE WRITTEN PERMISSION OF ALTINKAYA ENCLOSURES IS PROHIBITED.</small>			ARTICLE NO:	REVISION:
			CONTACT: <a href="http://www.altinkaya.com.tr">www.altinkaya.com.tr</a>	
DRAWN	Dursun Dağdemir	28.12.09	TITLE:	
CHECKED	Ali Altıngök	28.12.09	<h1>DT 255 Lower Base</h1>	
COMMENTS:				
MATERIAL:			DWG NO:	A3
WEIGHT:			SCALE:1:1	SHEET 1 OF 1

**DT-255-P-2-11158**



PROPRIETARY AND CONFIDENTIAL  
 THE INFORMATION CONTAINED IN THIS  
 DRAWING IS THE SOLE PROPERTY OF  
 ALTINKAYA ENCLOSURES. ANY  
 REPRODUCTION IN PART OR AS A WHOLE  
 WITHOUT THE WRITTEN PERMISSION OF  
 ALTINKAYA ENCLOSURES IS PROHIBITED.

ARTICLE NO: \_\_\_\_\_ REVISION: \_\_\_\_\_

**ALTINKAYA**  
 ENCLOSURES FOR ELECTRONICS  
 CONTACT: [www.altinkaya.com.tr](http://www.altinkaya.com.tr)

	NAME	DATE
DRAWN	Dursun Dağdemir	28.12.09
CHECKED	Ali Altıngök	28.12.09

TITLE:  
**DT 255 Upper body**

MATERIAL:

DWG NO: **DT-255-P-1-11157** A3

WEIGHT:

SCALE:1:1 SHEET 1 OF 1

