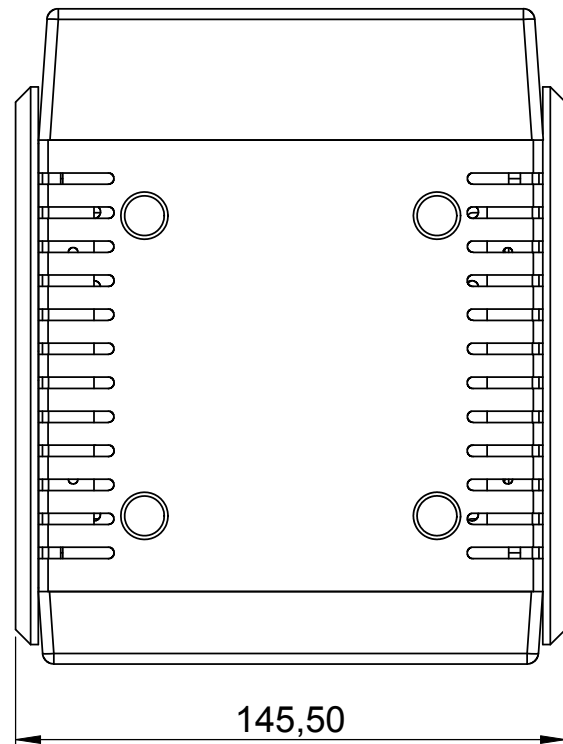
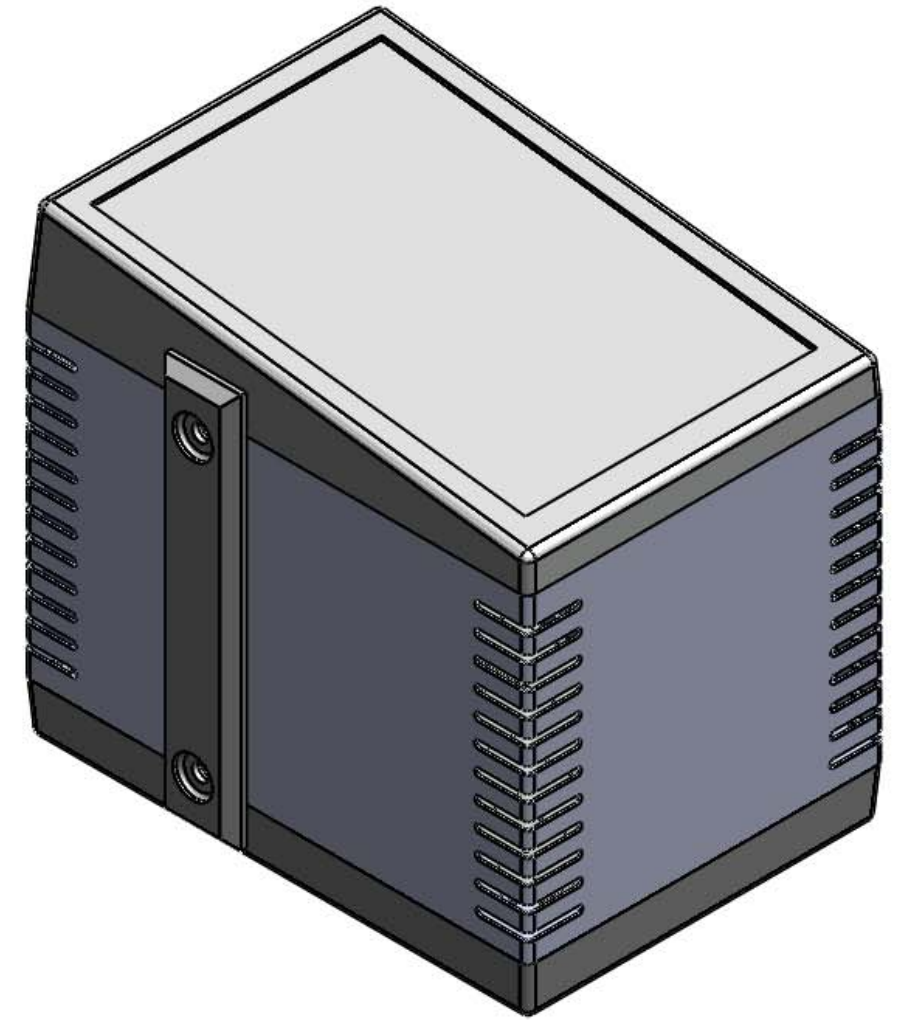

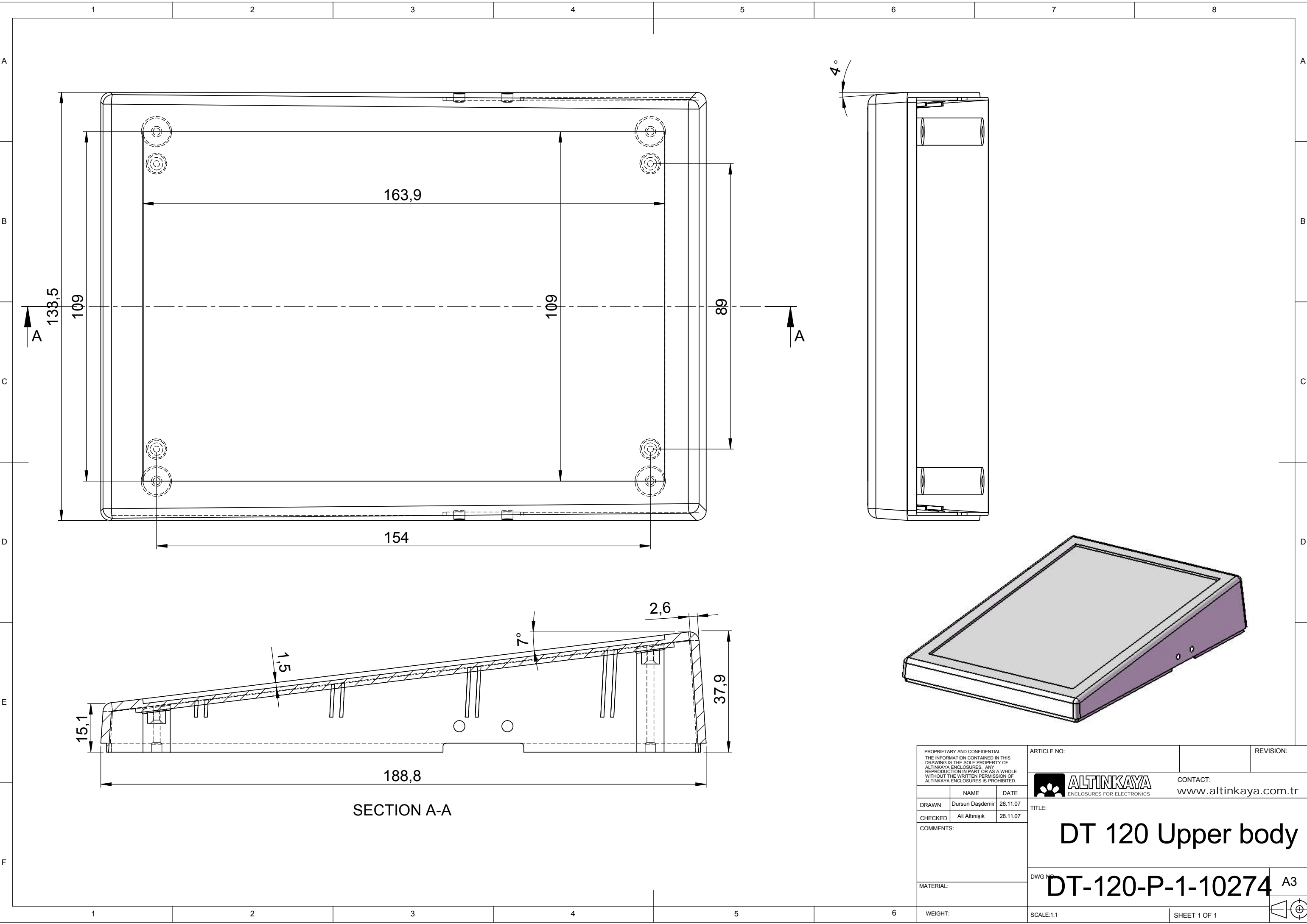



KESIT A-A



<small>PROPRIETARY AND CONFIDENTIAL THE INFORMATION CONTAINED IN THIS DRAWING IS THE SOLE PROPERTY OF ALTINKAYA ENCLOSURES. ANY REPRODUCTION IN PART OR AS A WHOLE WITHOUT THE WRITTEN PERMISSION OF ALTINKAYA ENCLOSURES IS PROHIBITED.</small>			ARTICLE NO.:	REVISION:
<small>DRAWN Dursun DAŞDEMİR</small>			 ALTINKAYA ENCLOSURES FOR ELECTRONICS	CONTACT: www.altinkaya.com.tr
<small>CHECKED Ali Altınışık</small>				TITLE:
<small>COMMENTS:</small>			<small>DWG NO.</small> DT-420-0-0-0-0	
<small>MATERIAL:</small>			<small>A3</small>	
<small>WEIGHT:</small>			<small>SCALE:1:2</small>	<small>SHEET 1 OF 1</small>



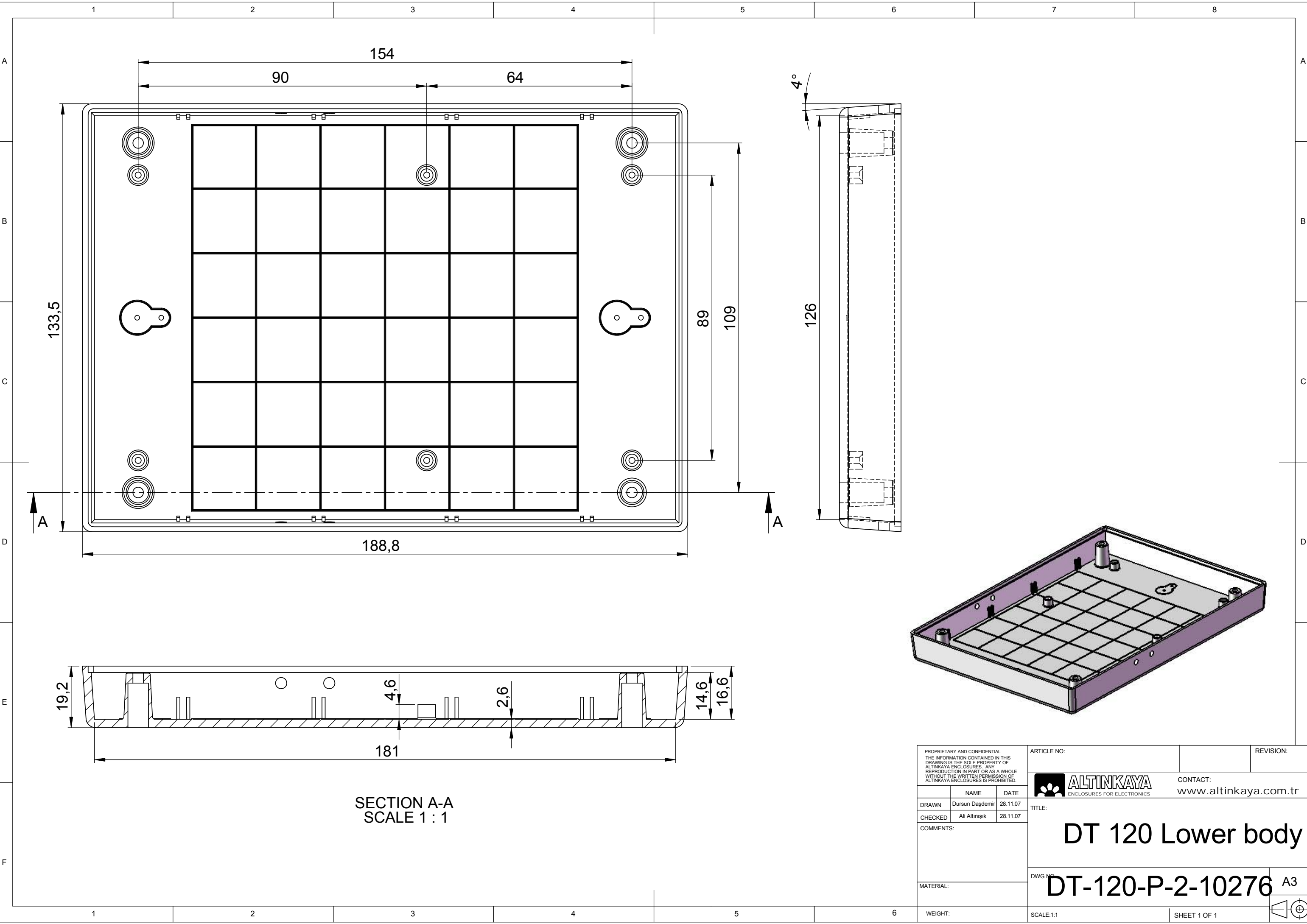
SECTION A-A

<small>PROPRIETARY AND CONFIDENTIAL. THE INFORMATION CONTAINED IN THIS DRAWING IS THE SOLE PROPERTY OF ALTINKAYA ENCLOSURES. ANY REPRODUCTION IN PART OR AS A WHOLE WITHOUT THE WRITTEN PERMISSION OF ALTINKAYA ENCLOSURES IS PROHIBITED.</small>		ARTICLE NO:	REVISION:						
<table border="1"> <thead> <tr> <th>NAME</th> <th>DATE</th> </tr> </thead> <tbody> <tr> <td>Dursun Daşdemir</td> <td>28.11.07</td> </tr> <tr> <td>Ali Altınşik</td> <td>28.11.07</td> </tr> </tbody> </table>		NAME	DATE	Dursun Daşdemir	28.11.07	Ali Altınşik	28.11.07	 <small>ENCLOSURES FOR ELECTRONICS</small>	CONTACT: www.altinkaya.com.tr
NAME	DATE								
Dursun Daşdemir	28.11.07								
Ali Altınşik	28.11.07								
DRAWN: Dursun Daşdemir 28.11.07 CHECKED: Ali Altınşik 28.11.07 COMMENTS:		TITLE: <h1>DT 120 Upper body</h1>							
MATERIAL:		DWG NO:	A3						
WEIGHT:		SCALE:1:1	SHEET 1 OF 1						

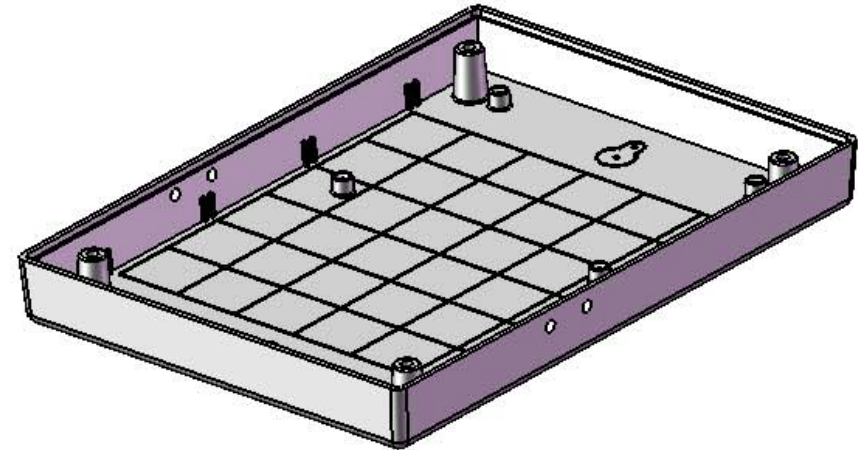



DT-120-P-1-10274





SECTION A-A
SCALE 1 : 1



<small>PROPRIETARY AND CONFIDENTIAL. THE INFORMATION CONTAINED IN THIS DRAWING IS THE SOLE PROPERTY OF ALTINKAYA ENCLOSURES. ANY REPRODUCTION IN PART OR AS A WHOLE WITHOUT THE WRITTEN PERMISSION OF ALTINKAYA ENCLOSURES IS PROHIBITED.</small>		ARTICLE NO:	REVISION:
		CONTACT: www.altinkaya.com.tr	
DRAWN	Dursun Daşdemir	DATE	28.11.07
CHECKED	Ali Altıngök	DATE	28.11.07
COMMENTS:		TITLE:	
MATERIAL:		DT-120-P-2-10276 A3	
WEIGHT:		SCALE:1:1	SHEET 1 OF 1