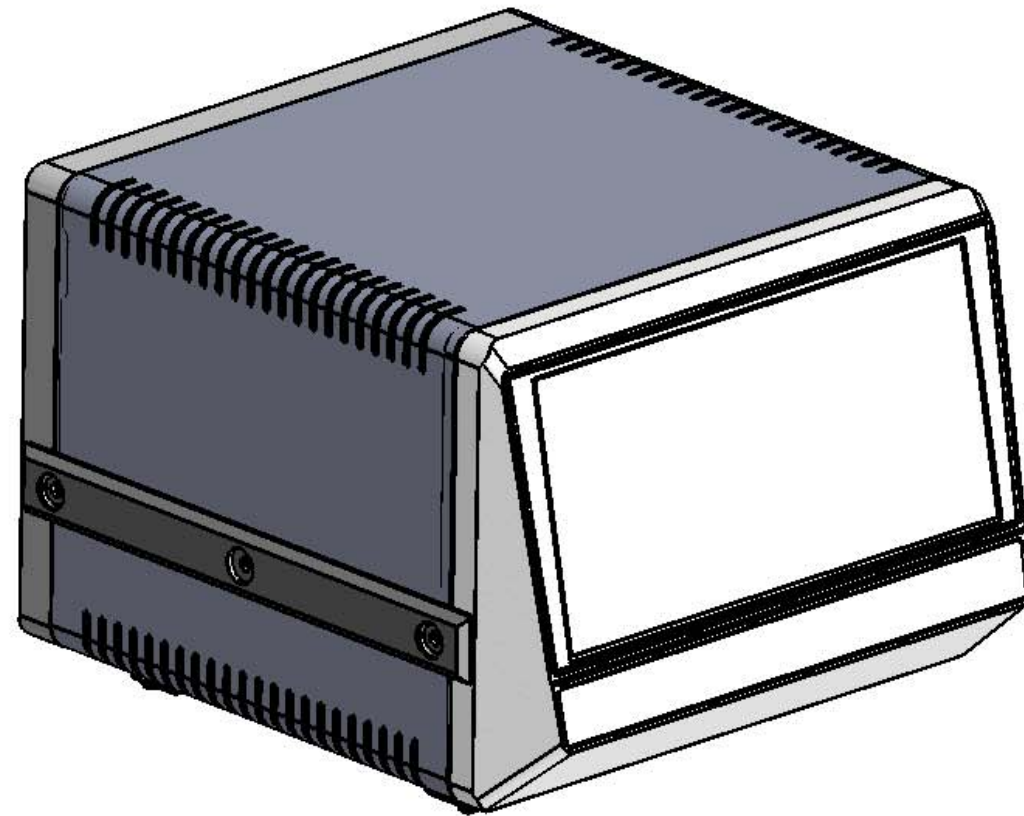

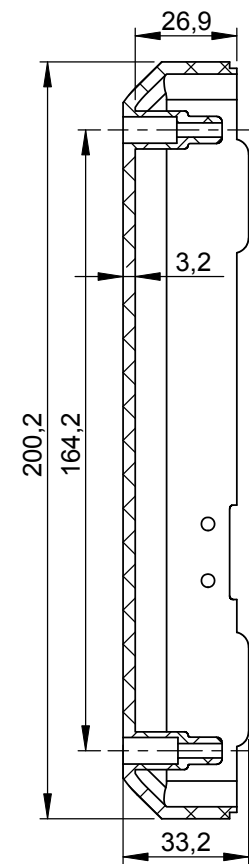
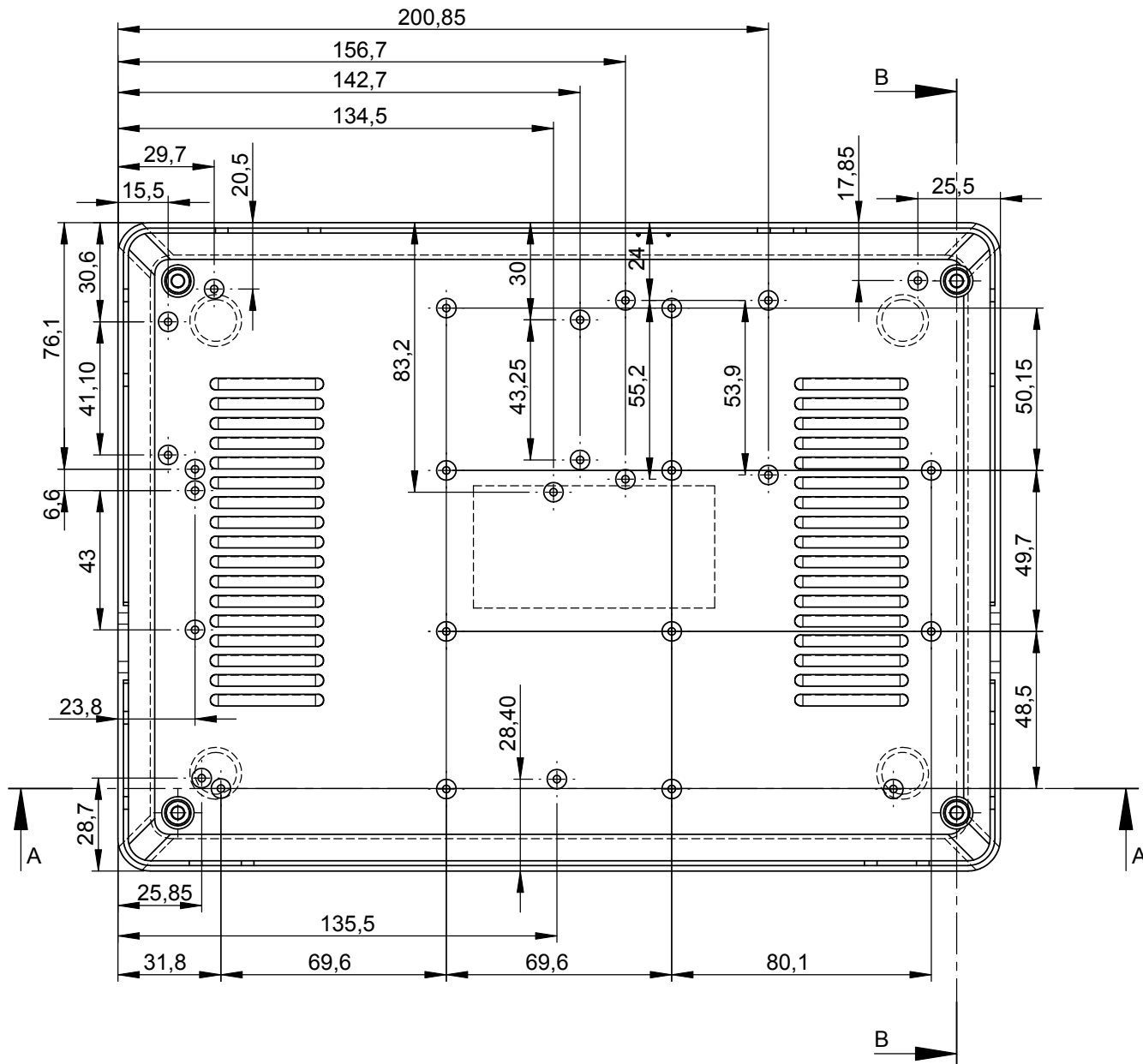


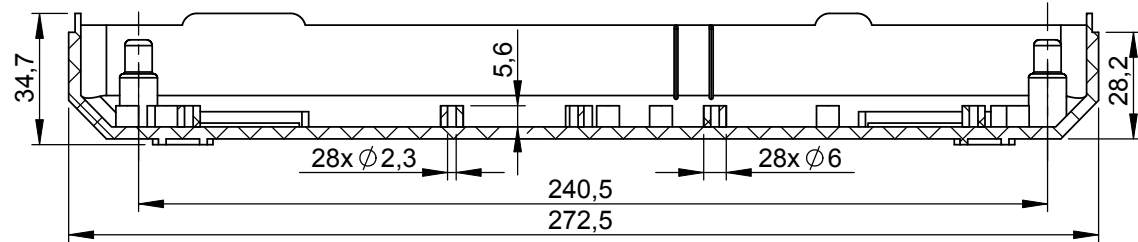
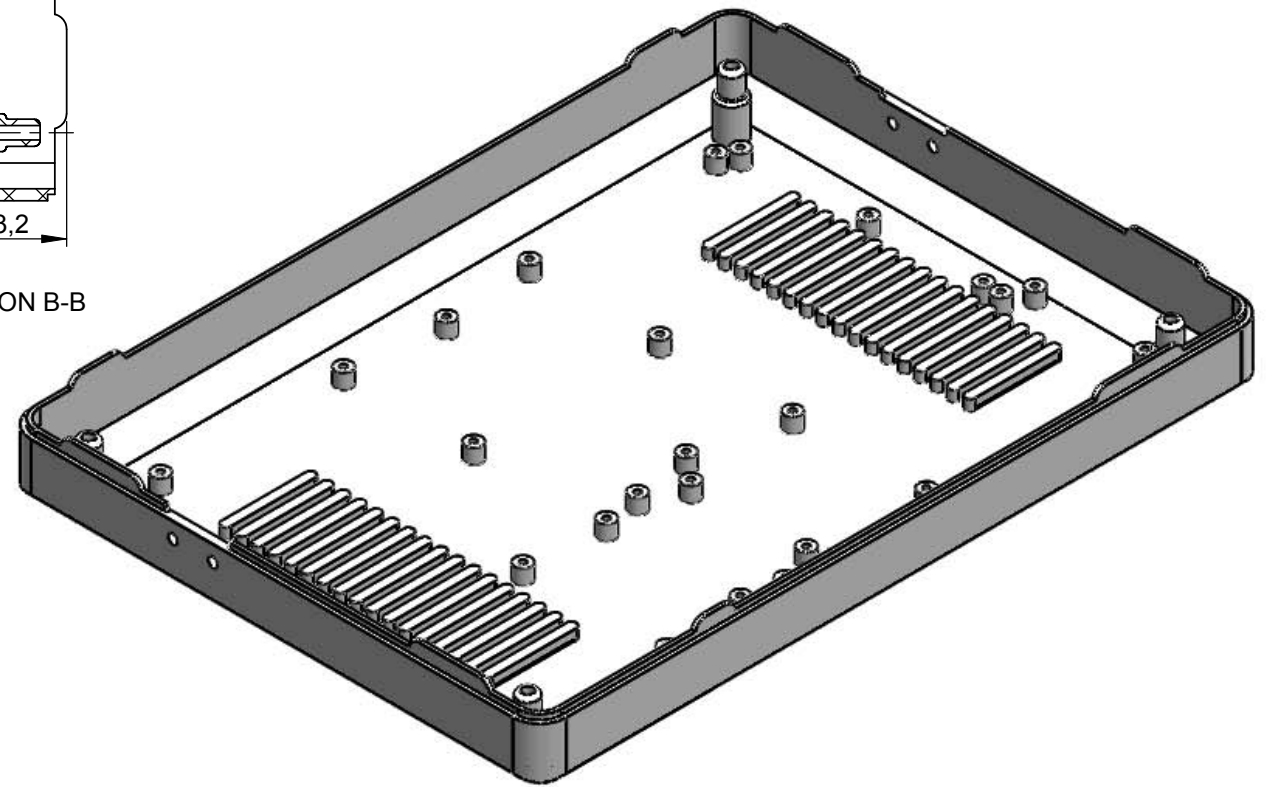
KESIT A-A




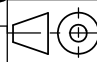
<small>PROPRIETARY AND CONFIDENTIAL. THE INFORMATION CONTAINED IN THIS DRAWING IS THE SOLE PROPERTY OF ALTINKAYA ENCLOSURES. ANY REPRODUCTION IN PART OR AS A WHOLE WITHOUT THE WRITTEN PERMISSION OF ALTINKAYA ENCLOSURES IS PROHIBITED.</small>			ARTICLE NO.:	REVISION:
<small>DRAWN</small> Dursun DAŞDEMİR			 ALTINKAYA ENCLOSURES FOR ELECTRONICS	CONTACT: www.altinkaya.com.tr
<small>CHECKED</small> Ali Altınışık				TITLE:
<small>COMMENTS:</small>			DWG NO. DT-460	A3
<small>MATERIAL:</small>			SCALE:1:2	SHEET 1 OF 1
<small>WEIGHT:</small>				

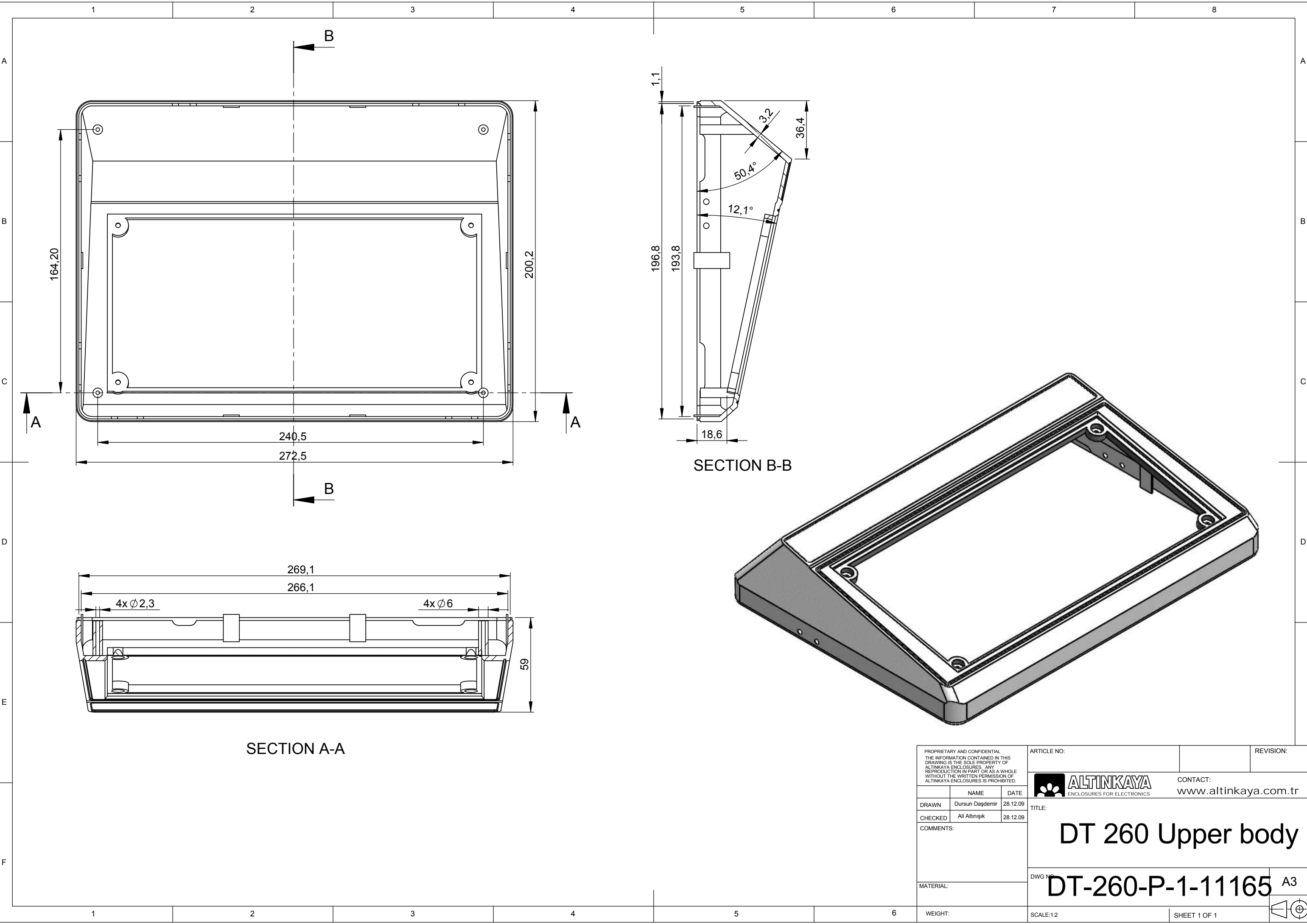


SECTION B-B




SECTION A-A

<small>PROPRIETARY AND CONFIDENTIAL THE INFORMATION CONTAINED IN THIS DRAWING IS THE SOLE PROPERTY OF ALTINKAYA ENCLOSURES. ANY REPRODUCTION IN PART OR AS A WHOLE WITHOUT THE WRITTEN PERMISSION OF ALTINKAYA ENCLOSURES IS PROHIBITED.</small>			ARTICLE NO:	REVISION:
<small>DRAWN Dursun Daşdemir 28.12.09 CHECKED Ali Altıngök 28.12.09 COMMENTS:</small>			 <small>ENCLOSURES FOR ELECTRONICS</small>	<small>CONTACT: www.altinkaya.com.tr</small>
<small>MATERIAL:</small>			TITLE: <h1>DT 260 Lower Base</h1>	
<small>WEIGHT:</small>			<small>DWG NO:</small> <h1>DT-260-P-2-11166</h1>	<small>SCALE:</small> A3
<small>SHEET 1 OF 1</small>				



SECTION A-A

SECTION B-B

<small>PROPRIETARY AND CONFIDENTIAL. THE INFORMATION CONTAINED IN THIS DRAWING IS THE SOLE PROPERTY OF ALTINKAYA ENCLOSURES. ANY REPRODUCTION IN PART OR AS A WHOLE WITHOUT THE WRITTEN PERMISSION OF ALTINKAYA ENCLOSURES IS PROHIBITED.</small>			ARTICLE NO:	REVISION:
<small>DRAWN: Dursun Dağdemir 28.12.09</small> <small>CHECKED: Ali Altıngök 28.12.09</small> <small>COMMENTS:</small>			 <small>ENCLOSURES FOR ELECTRONICS</small>	<small>CONTACT:</small> www.altinkaya.com.tr
<small>MATERIAL:</small>			TITLE: <h1>DT 260 Upper body</h1>	
<small>WEIGHT:</small>			<small>DWG NO:</small> <h1>DT-260-P-1-11165</h1>	<small>SCALE:</small> 1:2 <small>SHEET</small> 1 OF 1