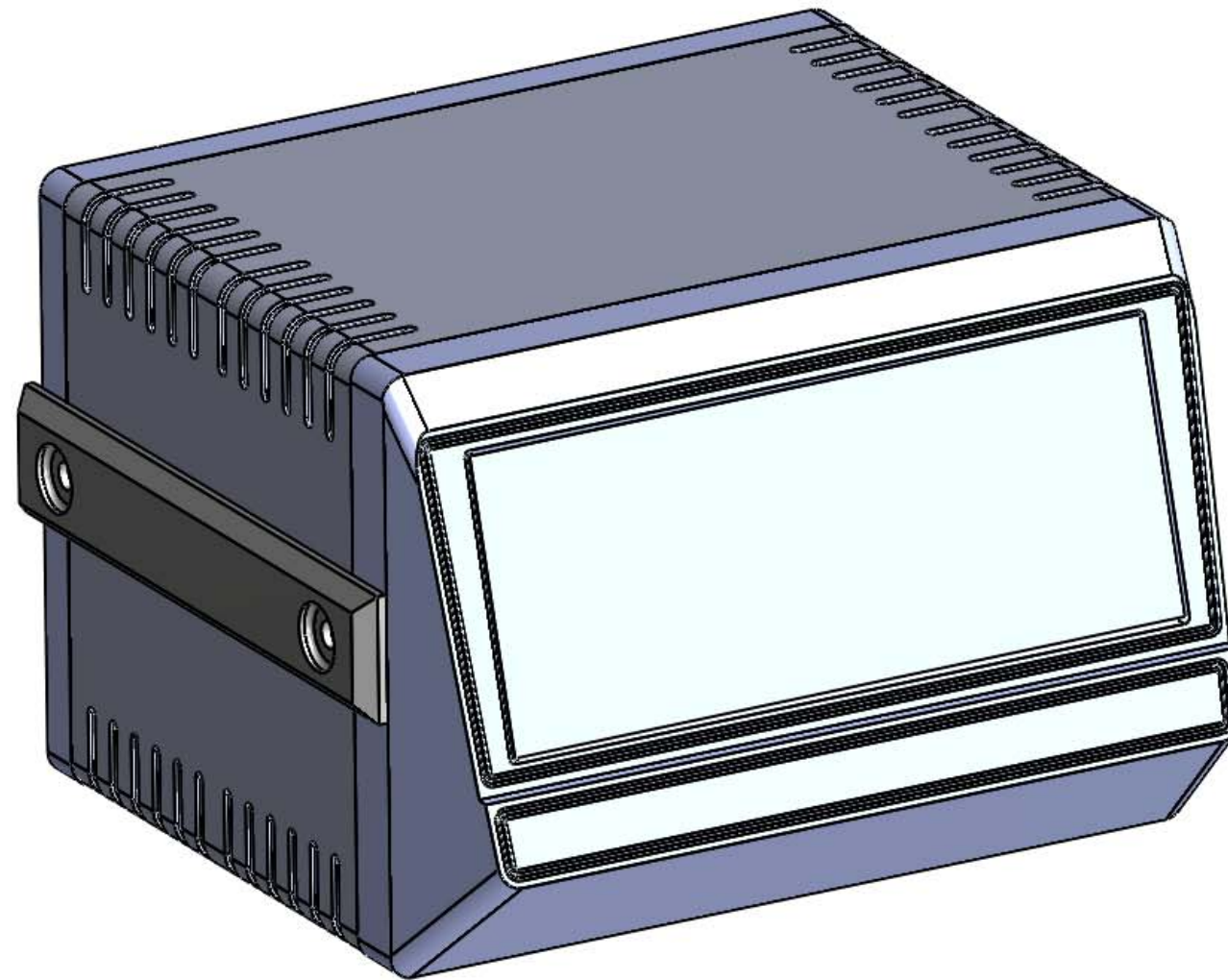


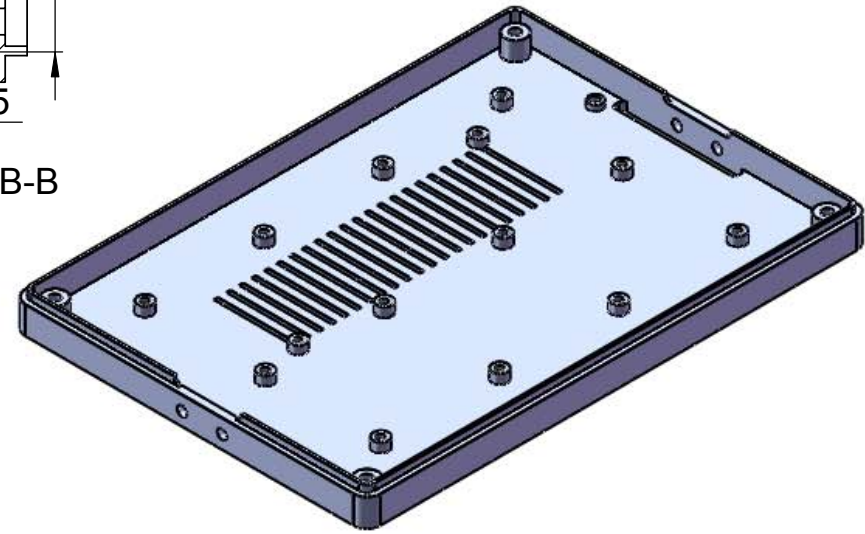
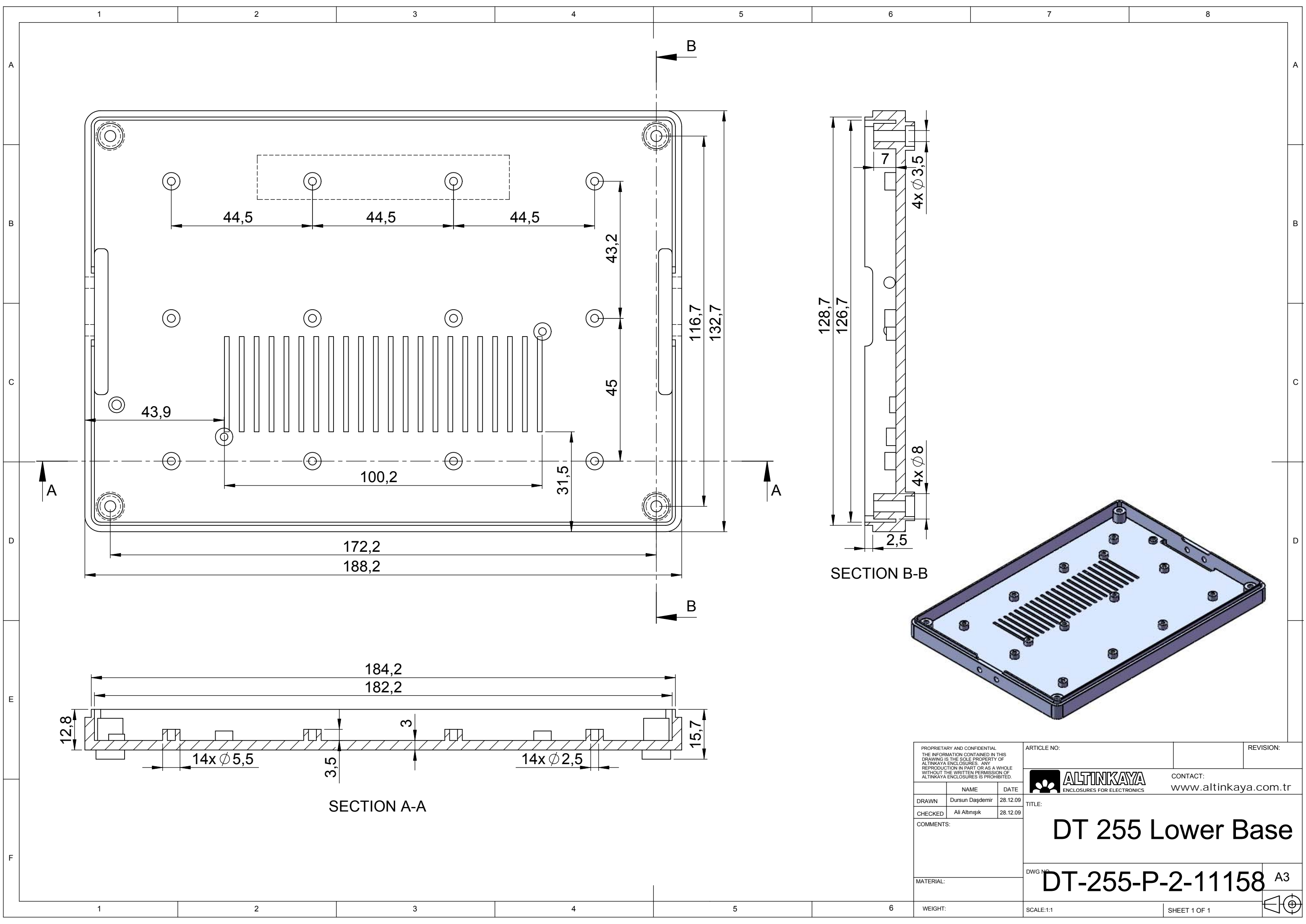



KESIT A-A

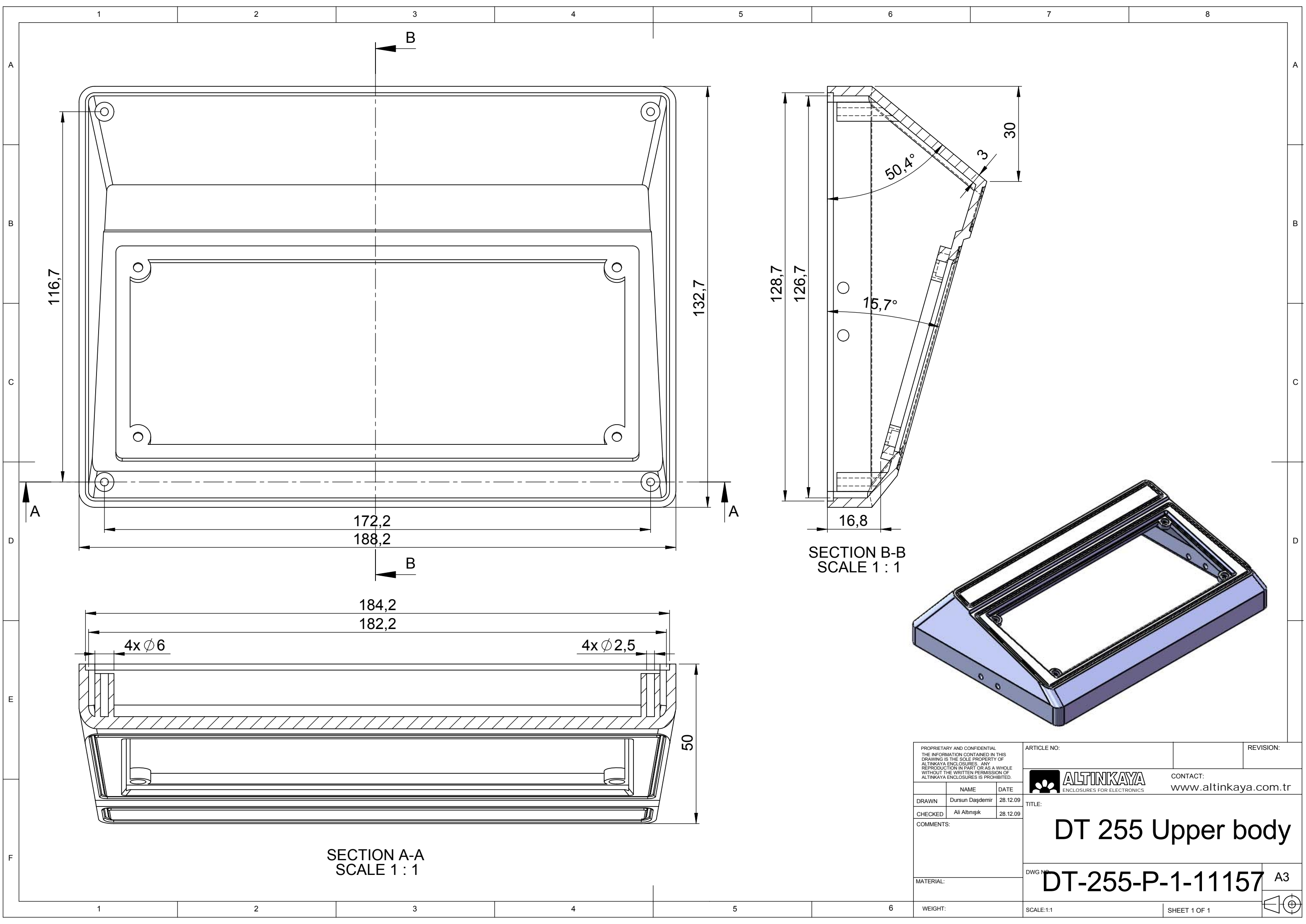


<small>PROPRIETARY AND CONFIDENTIAL. THE INFORMATION CONTAINED IN THIS DRAWING IS THE SOLE PROPERTY OF ALTINKAYA ENCLOSURES. ANY REPRODUCTION IN PART OR AS A WHOLE WITHOUT THE WRITTEN PERMISSION OF ALTINKAYA ENCLOSURES IS PROHIBITED.</small>			ARTICLE NO.:	REVISION:
<small>DRAWN</small> Dursun DAŞDEMİR <small>CHECKED</small> Ali Altınışık <small>COMMENTS:</small> <small>MATERIAL:</small> <small>WEIGHT:</small>			 ALTINKAYA <small>ENCLOSURES FOR ELECTRONICS</small>	<small>CONTACT:</small> www.altinkaya.com.tr
			<small>TITLE:</small>	
			<small>DWG NO.</small>	DT-450
			<small>SCALE:1:2</small>	A3
			<small>SHEET 1 OF 1</small>	



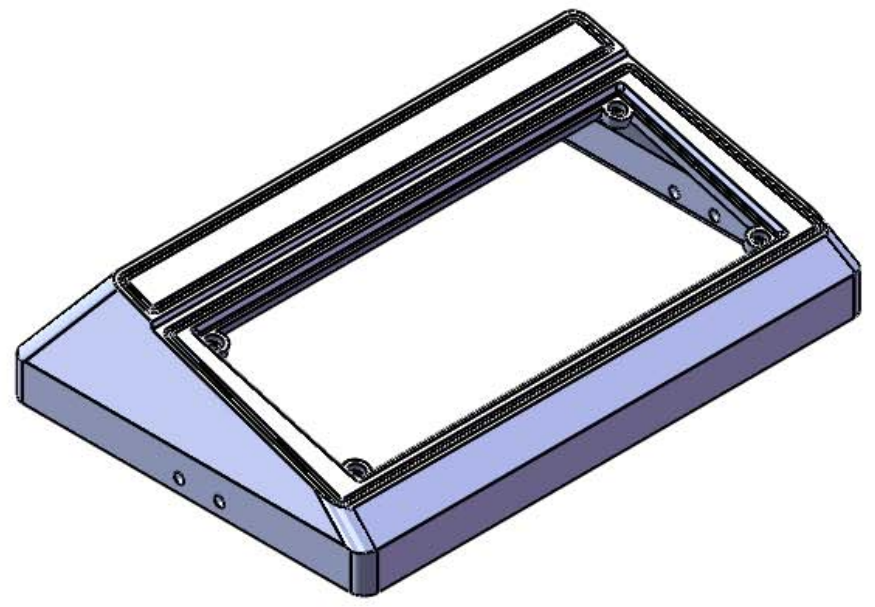
<small>PROPRIETARY AND CONFIDENTIAL. THE INFORMATION CONTAINED IN THIS DRAWING IS THE SOLE PROPERTY OF ALTINKAYA ENCLOSURES. ANY REPRODUCTION IN PART OR AS A WHOLE WITHOUT THE WRITTEN PERMISSION OF ALTINKAYA ENCLOSURES IS PROHIBITED.</small>			ARTICLE NO:	REVISION:
			CONTACT: www.altinkaya.com.tr	
DRAWN	Dursun Dağdemir	28.12.09	TITLE:	
CHECKED	Ali Altıngök	28.12.09	<h1>DT 255 Lower Base</h1>	
COMMENTS:				
MATERIAL:			DWG NO:	A3
WEIGHT:			SCALE:1:1	SHEET 1 OF 1


DT-255-P-2-11158



SECTION A-A
SCALE 1 : 1

SECTION B-B
SCALE 1 : 1



<small>PROPRIETARY AND CONFIDENTIAL THE INFORMATION CONTAINED IN THIS DRAWING IS THE SOLE PROPERTY OF ALTINKAYA ENCLOSURES. ANY REPRODUCTION IN PART OR AS A WHOLE WITHOUT THE WRITTEN PERMISSION OF ALTINKAYA ENCLOSURES IS PROHIBITED.</small>			ARTICLE NO:	REVISION:
<small>DRAWN Dursun Dağdemir 28.12.09 CHECKED Ali Altıngök 28.12.09 COMMENTS:</small>			 ALTINKAYA ENCLOSURES FOR ELECTRONICS	CONTACT: www.altinkaya.com.tr
<small>MATERIAL:</small>			DT 255 Upper body	
<small>WEIGHT:</small>			<small>DWG NO:</small> DT-255-P-1-11157	<small>SCALE:</small> 1:1 <small>SHEET</small> 1 OF 1

A3

