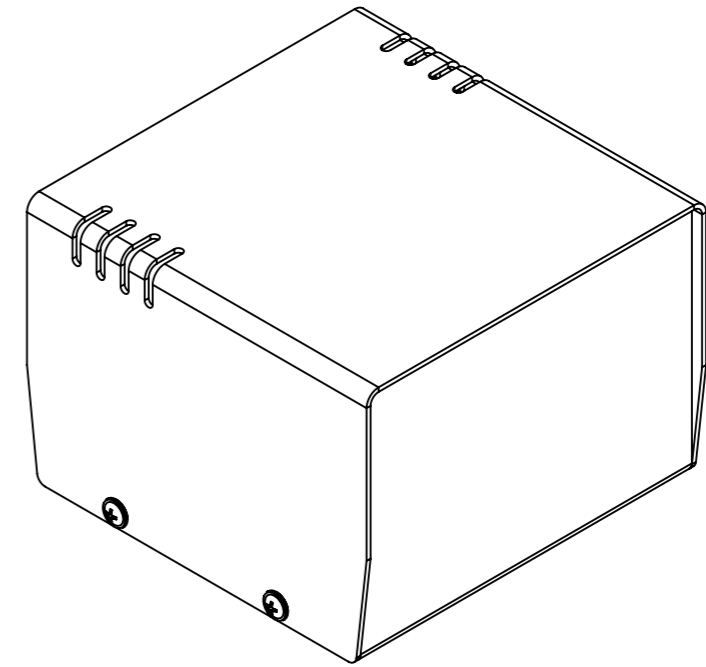
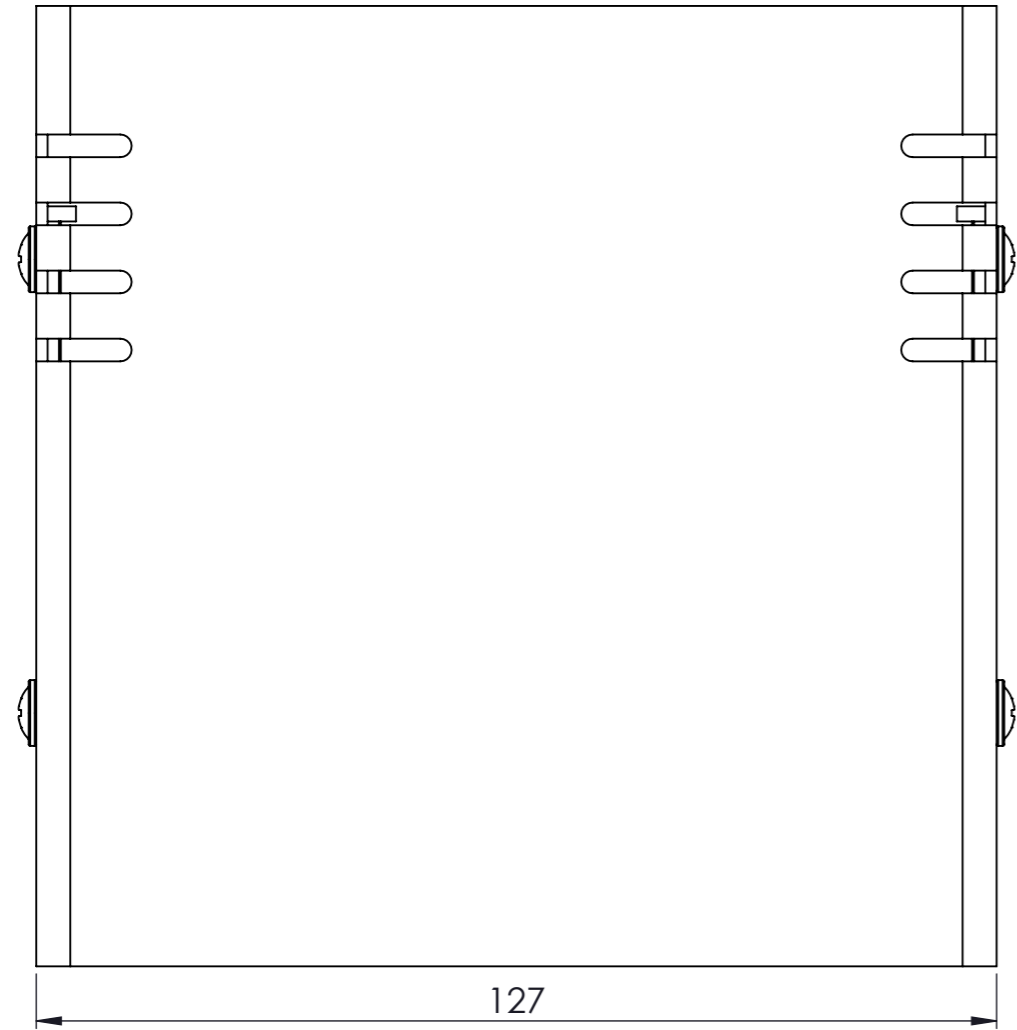



KESIT A-A



<small>PROPRIETARY AND CONFIDENTIAL THE INFORMATION CONTAINED IN THIS DRAWING IS THE SOLE PROPERTY OF ALTINKAYA ENCLOSURES. ANY REPRODUCTION IN PART OR AS A WHOLE WITHOUT THE WRITTEN PERMISSION OF ALTINKAYA ENCLOSURES IS PROHIBITED.</small>		ARTICLE NO:	REVISION:						
<table border="1"> <tr> <th>NAME</th> <th>DATE</th> </tr> <tr> <td>Dursun Daşdemir</td> <td></td> </tr> <tr> <td>Ali Altınışık</td> <td></td> </tr> </table>		NAME	DATE	Dursun Daşdemir		Ali Altınışık		 ENCLOSURES FOR ELECTRONICS	CONTACT: <a href="http://www.altinkaya.com.tr">www.altinkaya.com.tr</a>
NAME	DATE								
Dursun Daşdemir									
Ali Altınışık									
<table border="1"> <tr> <th>DRAWN</th> <th>CHECKED</th> </tr> <tr> <td>Dursun Daşdemir</td> <td>Ali Altınışık</td> </tr> </table>		DRAWN	CHECKED	Dursun Daşdemir	Ali Altınışık	TITLE: <h2 style="text-align: center;">Metal Proje Kutusu</h2>			
DRAWN	CHECKED								
Dursun Daşdemir	Ali Altınışık								
MATERIAL:		DWG NO: <b>MP-085</b>	A3						
WEIGHT:		SCALE:1:1	SHEET 1 OF 1						