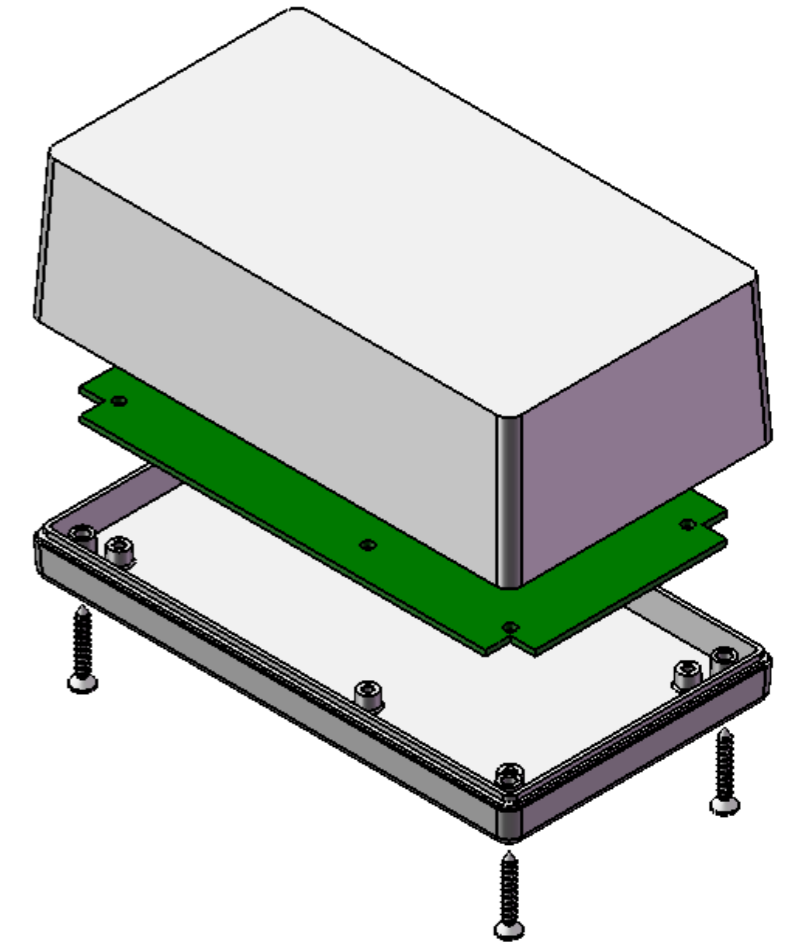


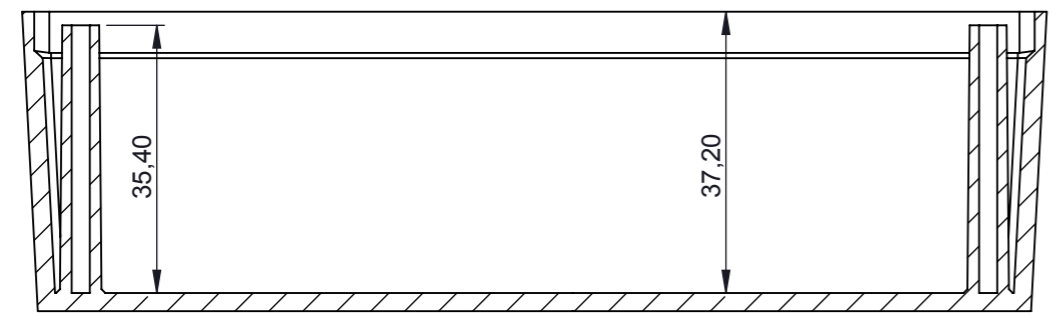
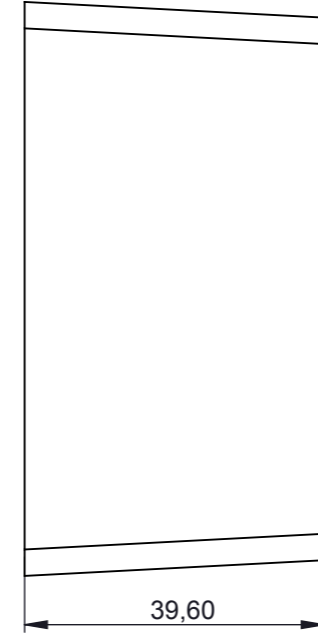
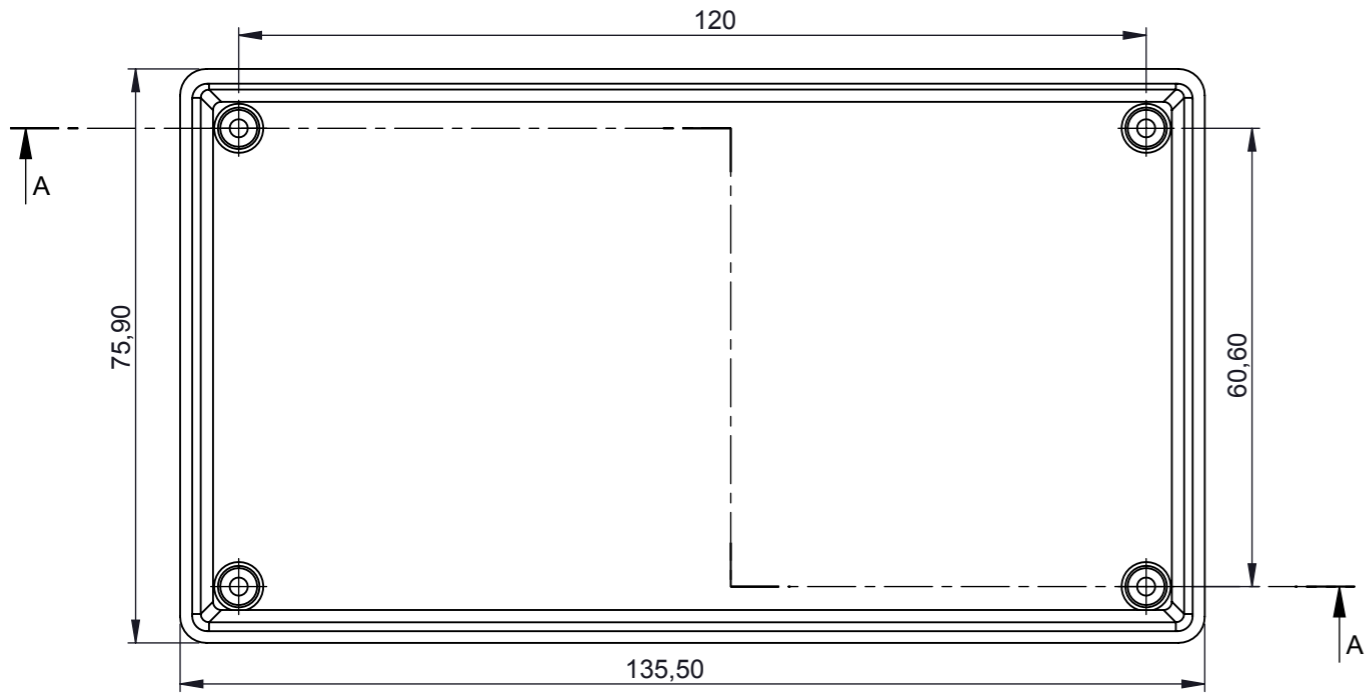


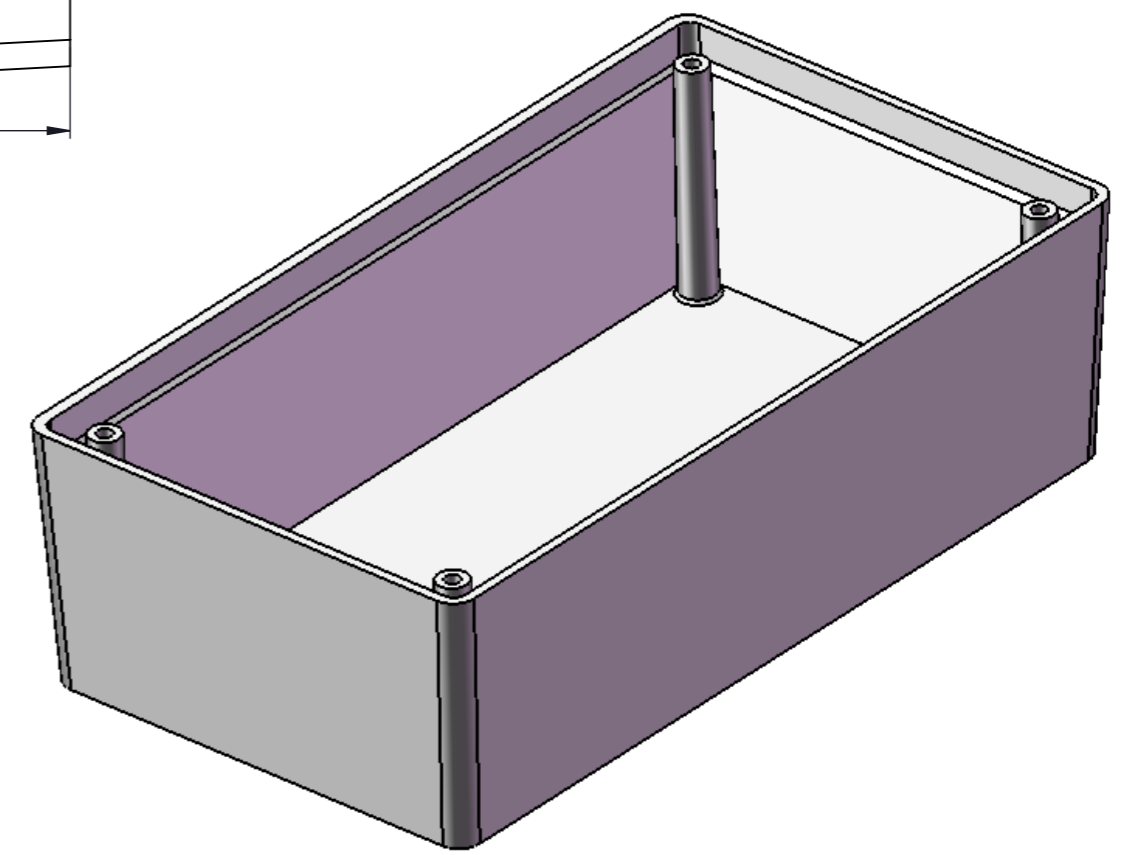
SECTION A-A




<small>PROPRIETARY AND CONFIDENTIAL THE INFORMATION CONTAINED IN THIS DRAWING IS THE SOLE PROPERTY OF ALTINKAYA ENCLOSURES. ANY REPRODUCTION IN PART OR AS A WHOLE WITHOUT THE WRITTEN PERMISSION OF ALTINKAYA ENCLOSURES IS PROHIBITED.</small>		ARTICLE NO.:	REVISION:
<small>DRAWN</small> Dursun Daşdemir		 ALTINKAYA ENCLOSURES FOR ELECTRONICS	<small>CONTACT:</small> www.altinkaya.com.tr
<small>CHECKED</small> Ali Altınışık		<small>TITLE:</small> <h2 style="text-align: center;">HH-070 Enclosure</h2>	
<small>COMMENTS:</small>		<small>DWG NO.</small> <h2 style="text-align: center;">HH-070-0-0</h2>	<small>A3</small>
<small>MATERIAL:</small>		<small>SCALE:</small> 1:1	<small>SHEET</small> 1 OF 1
<small>WEIGHT:</small>			

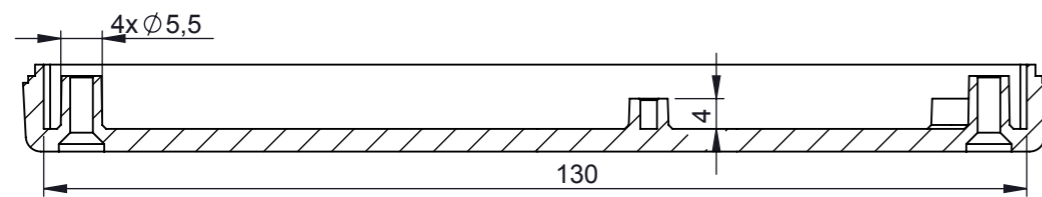
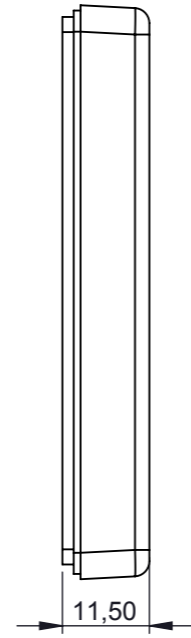
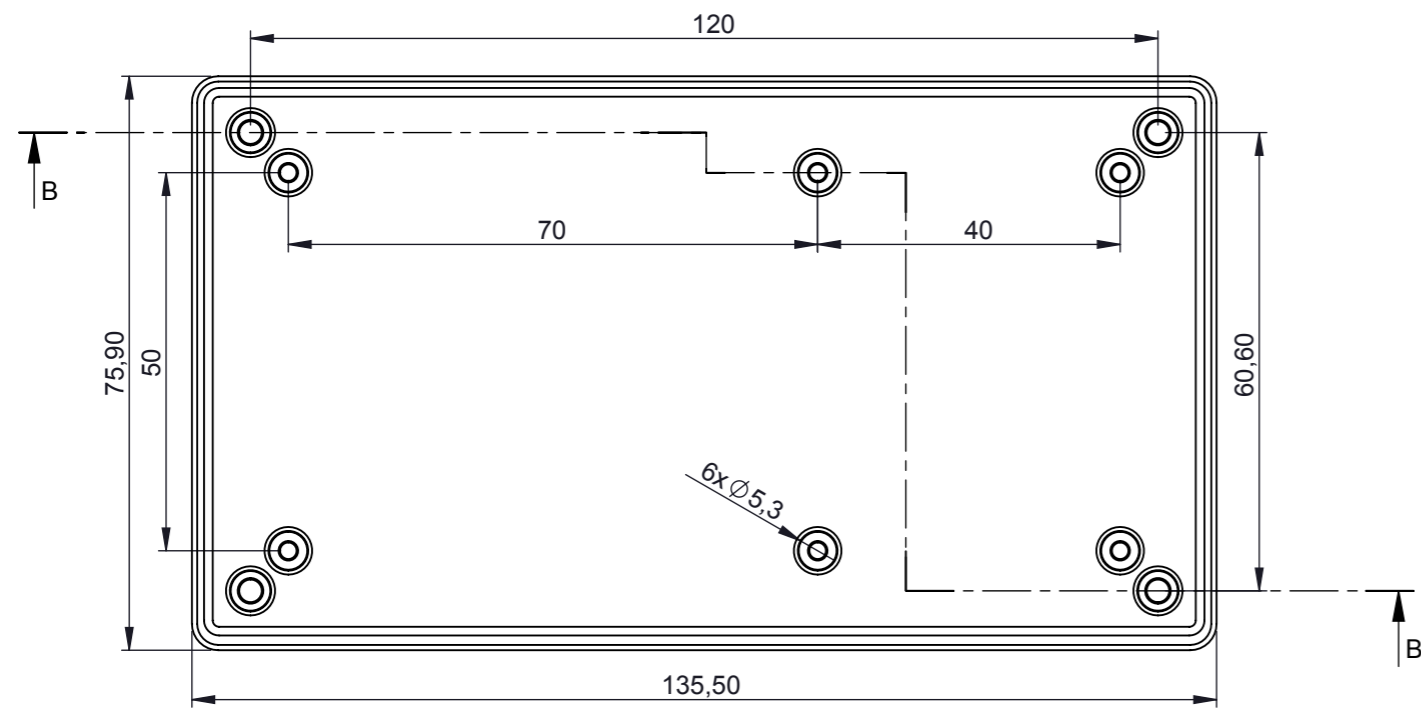


SECTION A-A

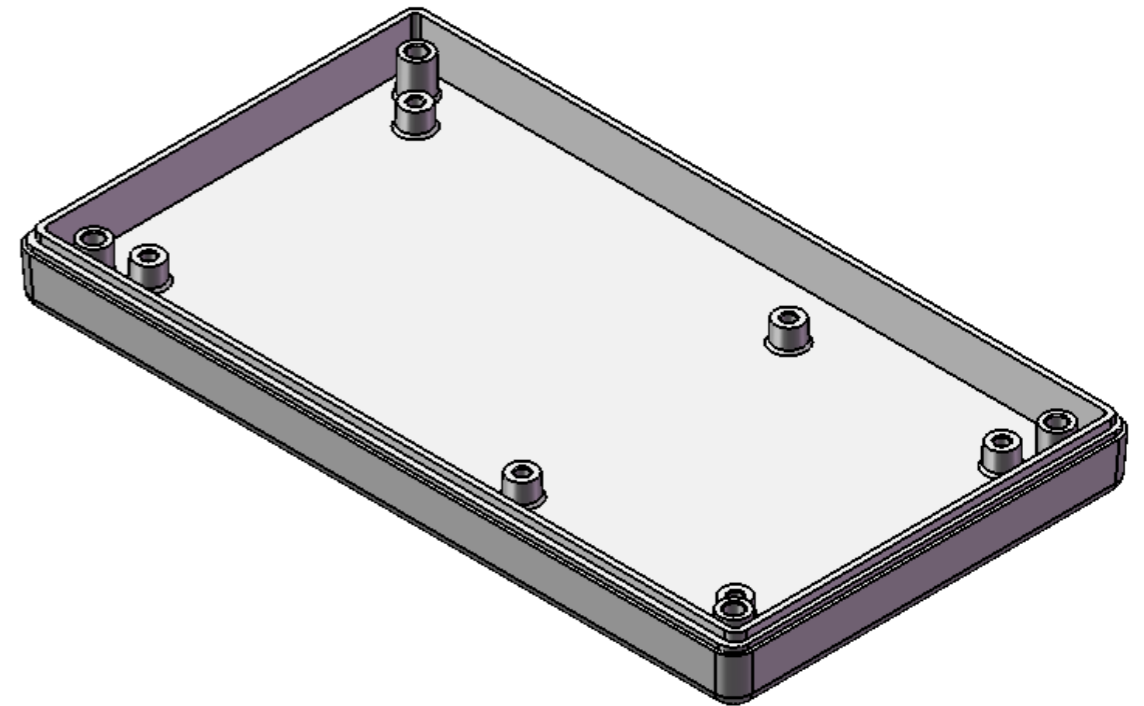




<small>PROPRIETARY AND CONFIDENTIAL THE INFORMATION CONTAINED IN THIS DRAWING IS THE SOLE PROPERTY OF ALTINKAYA ENCLOSURES. ANY REPRODUCTION IN PART OR AS A WHOLE WITHOUT THE WRITTEN PERMISSION OF ALTINKAYA ENCLOSURES IS PROHIBITED.</small>		ARTICLE NO.:	REVISION:						
<table border="1"> <tr> <th>NAME</th> <th>DATE</th> </tr> <tr> <td>Dursun Daşdemir</td> <td></td> </tr> <tr> <td>Ali Altınışık</td> <td></td> </tr> </table>		NAME	DATE	Dursun Daşdemir		Ali Altınışık		 ENCLOSURES FOR ELECTRONICS	CONTACT: www.altinkaya.com.tr
NAME	DATE								
Dursun Daşdemir									
Ali Altınışık									
<table border="1"> <tr> <th>DRAWN</th> <th>CHECKED</th> </tr> <tr> <td>Dursun Daşdemir</td> <td>Ali Altınışık</td> </tr> </table>		DRAWN	CHECKED	Dursun Daşdemir	Ali Altınışık	TITLE: <h2 style="text-align: center;">HH 070 Body</h2>			
DRAWN	CHECKED								
Dursun Daşdemir	Ali Altınışık								
MATERIAL:		DWG NO. HH-070-P-1	A3						
WEIGHT:		SCALE:1:1	SHEET 1 OF 1						

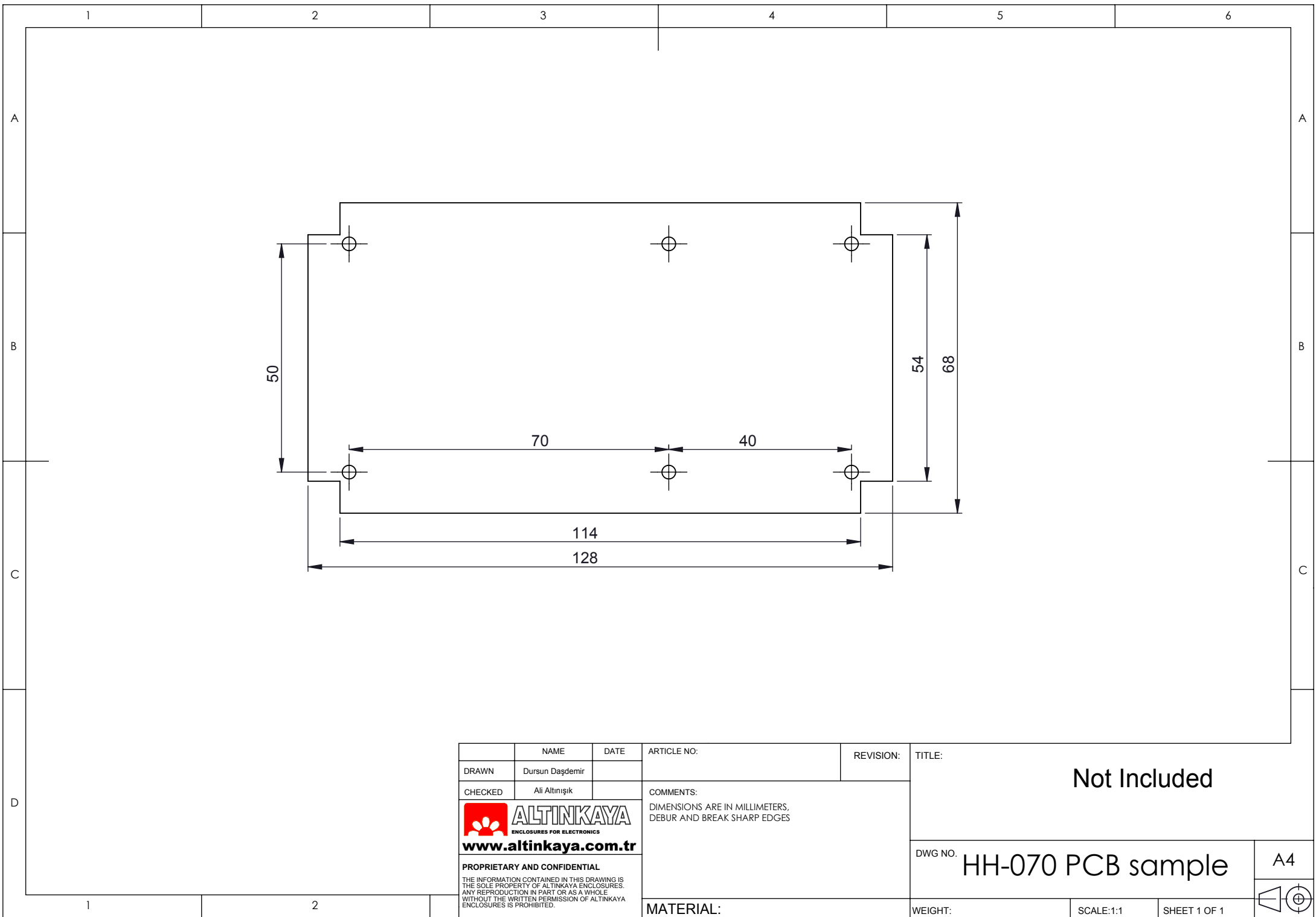





SECTION B-B



<small>PROPRIETARY AND CONFIDENTIAL THE INFORMATION CONTAINED IN THIS DRAWING IS THE SOLE PROPERTY OF ALTINKAYA ENCLOSURES. ANY REPRODUCTION IN PART OR AS A WHOLE WITHOUT THE WRITTEN PERMISSION OF ALTINKAYA ENCLOSURES IS PROHIBITED.</small>		ARTICLE NO.:	REVISION:
<small>DRAWN</small> Dursun Daşdemir		 <small>ENCLOSURES FOR ELECTRONICS</small>	<small>CONTACT:</small> www.altinkaya.com.tr
<small>CHECKED</small> Ali Altınışık		<small>TITLE:</small> <h2 style="text-align: center;">HH 070 Cover</h2>	
<small>COMMENTS:</small>		<small>DWG NO.</small> <h2 style="text-align: center;">HH-070-P-2</h2>	<small>A3</small>
<small>MATERIAL:</small>		<small>SCALE:</small> 1:1	<small>SHEET</small> 1 OF 1
<small>WEIGHT:</small>			



	NAME	DATE	ARTICLE NO:	REVISION:	TITLE:	Not Included
DRAWN	Dursun Dağdemir					
CHECKED	Ali Altınışık		COMMENTS:	DIMENSIONS ARE IN MILLIMETERS. DEBUR AND BREAK SHARP EDGES		
 ALTINKAYA ENCLOSURES FOR ELECTRONICS www.altinkaya.com.tr						
PROPRIETARY AND CONFIDENTIAL THE INFORMATION CONTAINED IN THIS DRAWING IS THE SOLE PROPERTY OF ALTINKAYA ENCLOSURES. ANY REPRODUCTION IN PART OR AS A WHOLE WITHOUT THE WRITTEN PERMISSION OF ALTINKAYA ENCLOSURES IS PROHIBITED.			MATERIAL:	WEIGHT:	SCALE:1:1	SHEET 1 OF 1
					DWG NO. HH-070 PCB sample	A4

