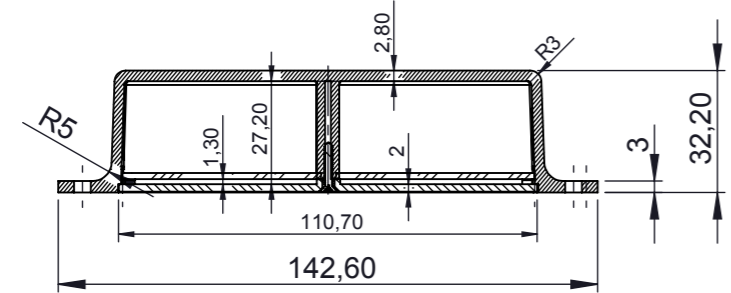
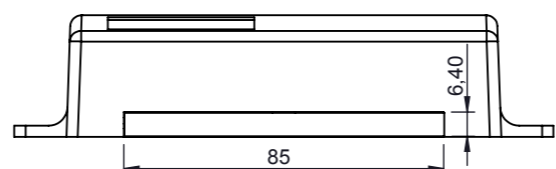


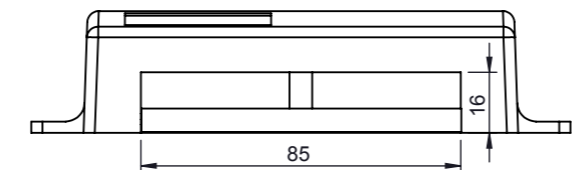
SECTION B-B
SCALE 1 : 2



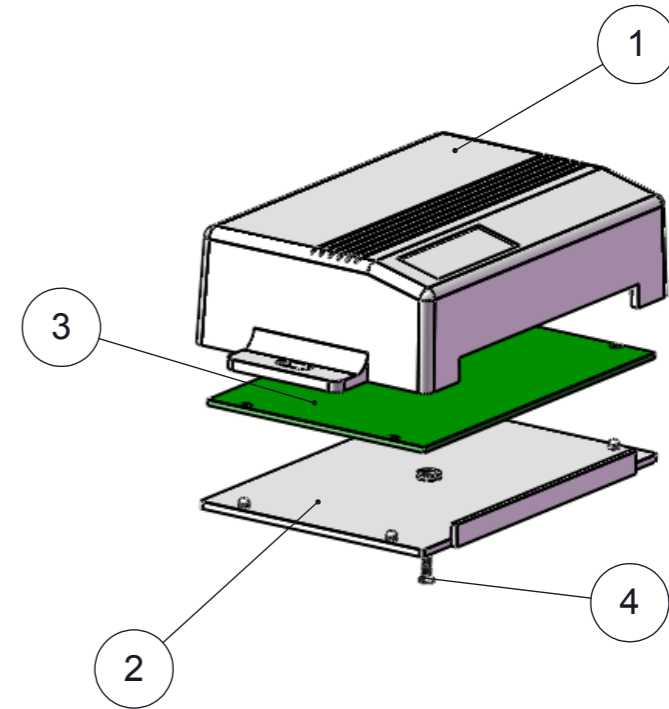
SECTION A-A
SCALE 1 : 2




HH-035-K

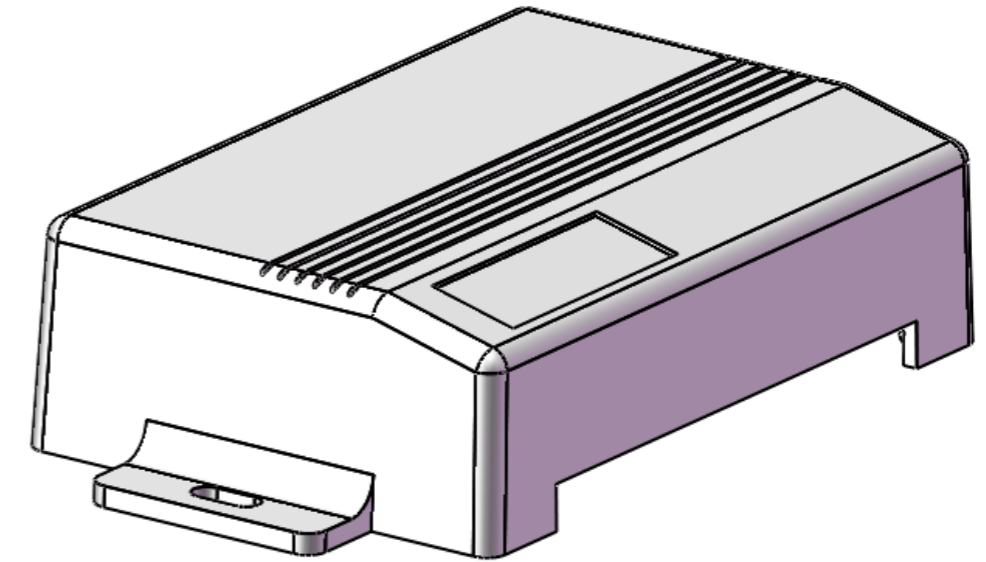
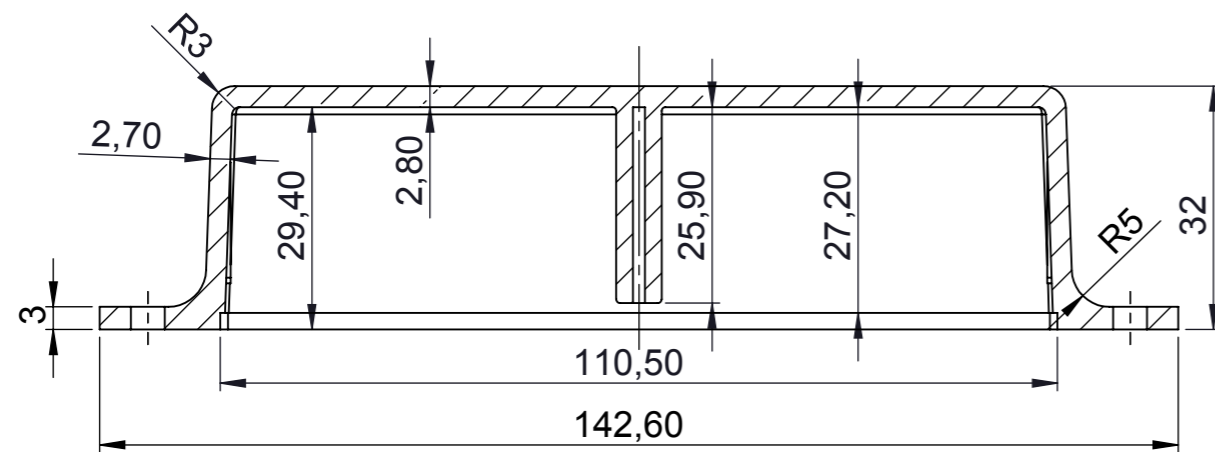
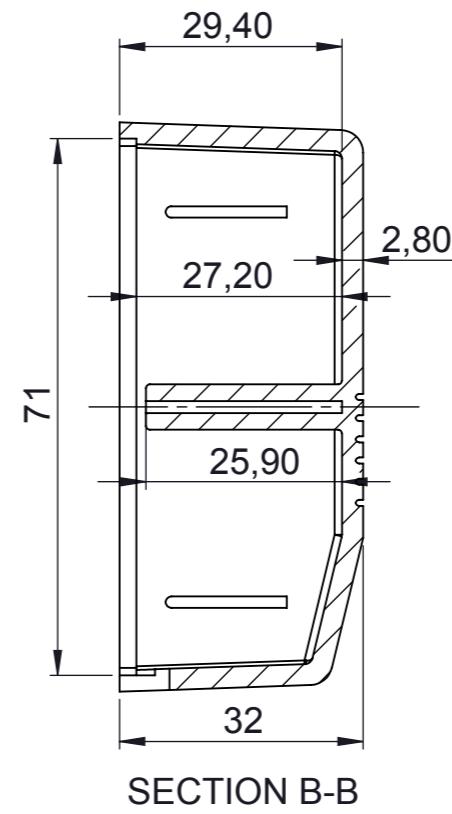
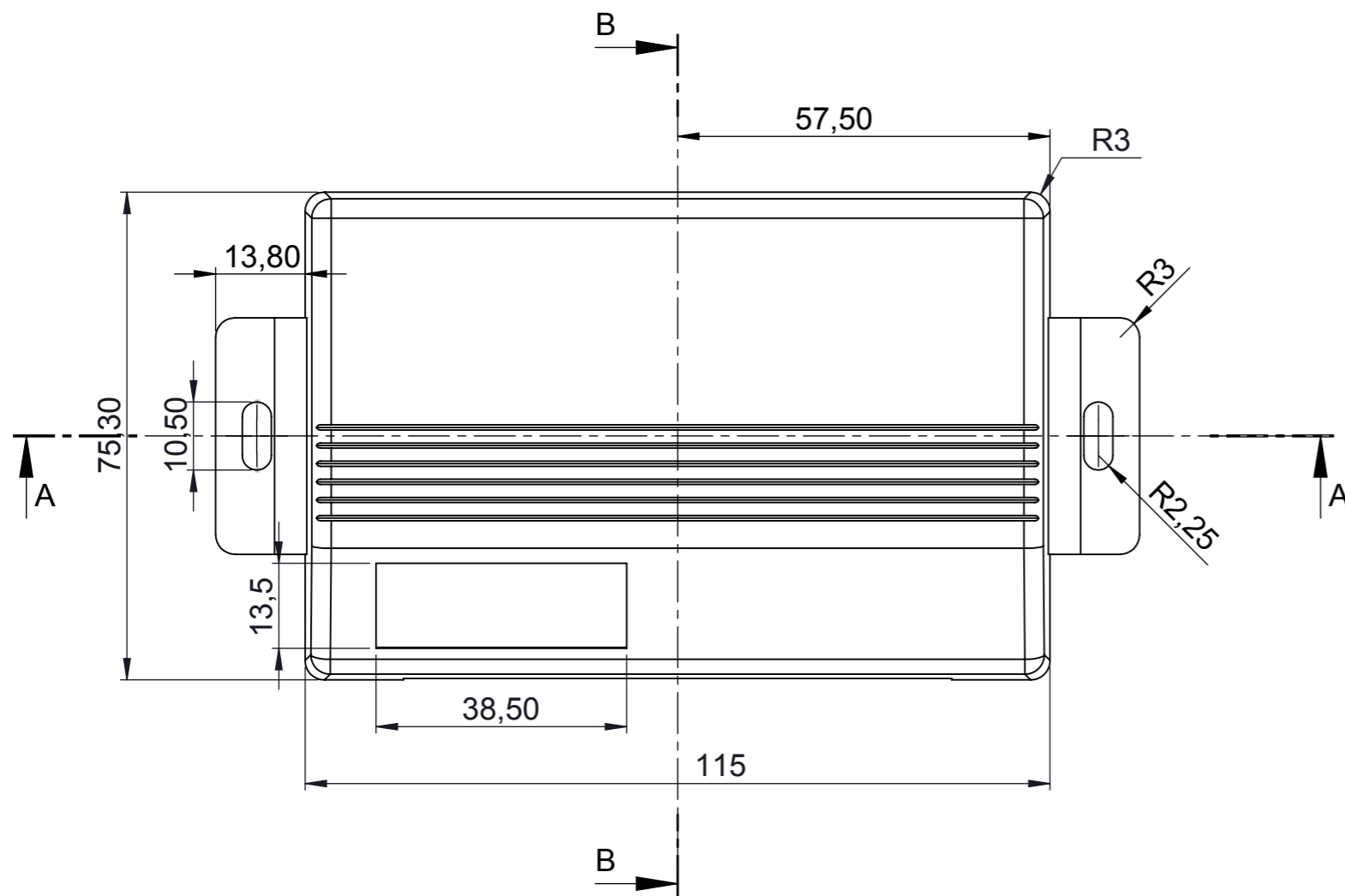


HH-035-A





ITEM NO.	PART NUMBER	DESCRIPTION	QTY.
1	HH-035-P-1	HH 035 Body	1
2	HH-035-P-2	HH 035 Cover	1
3	HH-035 PCB sample	Not Included	1
4	A-62-0-0-S-0-10005	2,2 x 13 mm YHB SC Black Screw 2,2 x 13 mm YHB SC Black Screw 2,2 x 13 mm YHB SC Black Screw 2,2 x 13 mm YHB SC Black Screw	1

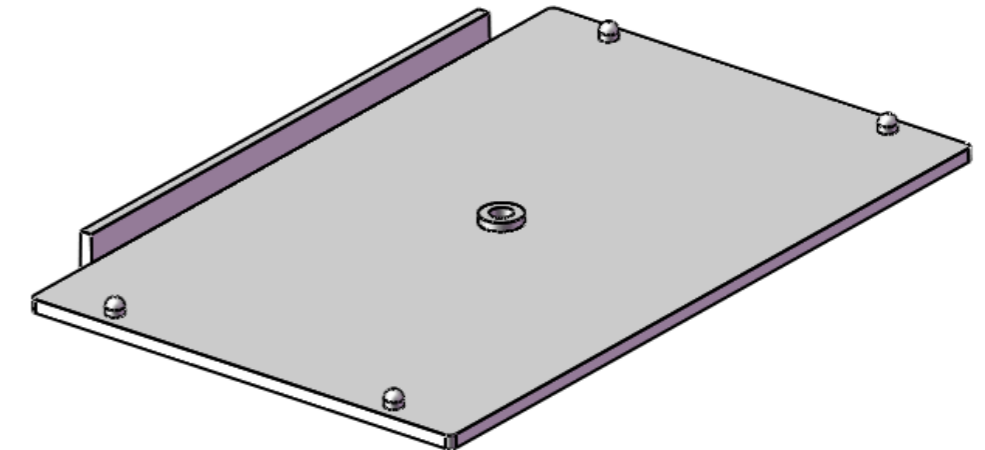
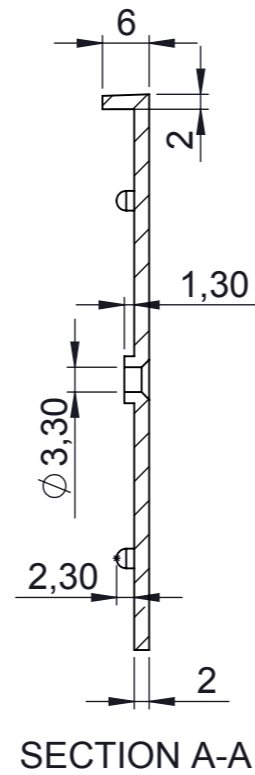
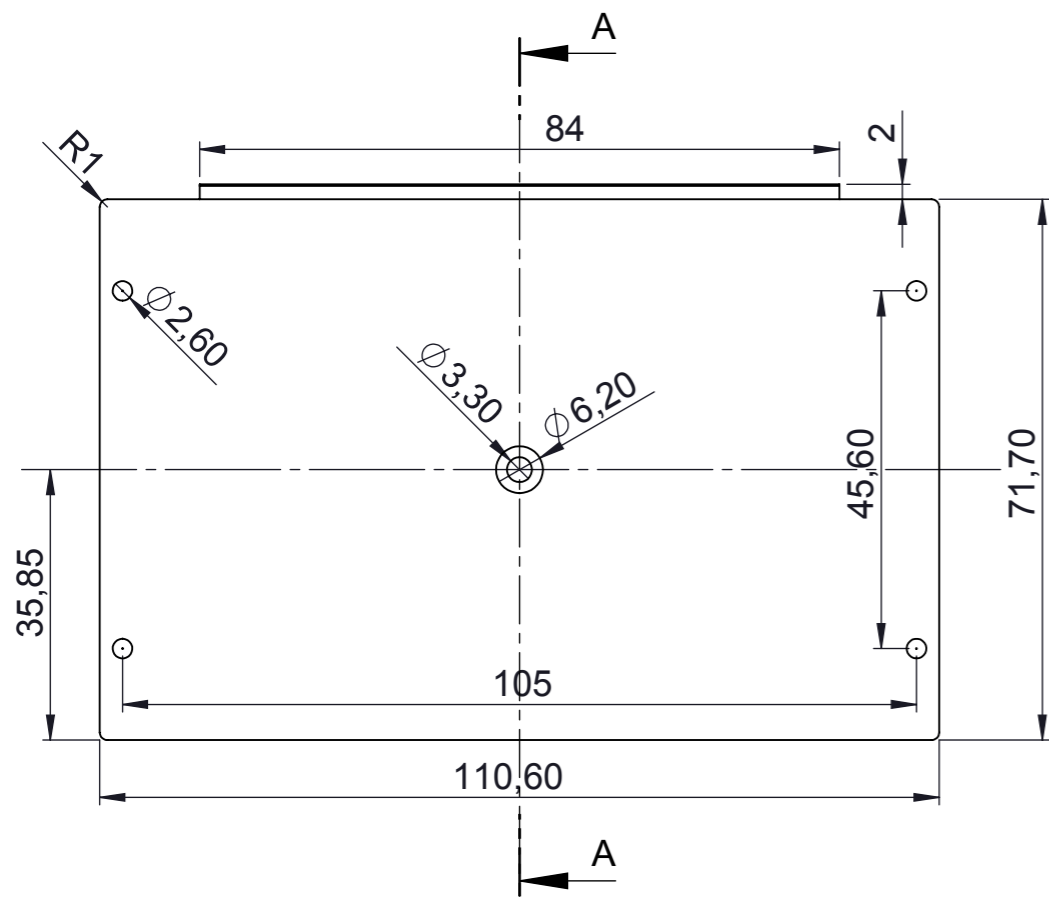
<small>PROPRIETARY AND CONFIDENTIAL THE INFORMATION CONTAINED IN THIS DRAWING IS THE SOLE PROPERTY OF ALTINKAYA ENCLOSURES. ANY REPRODUCTION IN PART OR AS A WHOLE WITHOUT THE WRITTEN PERMISSION OF ALTINKAYA ENCLOSURES IS PROHIBITED.</small>		ARTICLE NO:	REVISION:
<small>DRAWN</small> Dursun CAN <small>CHECKED</small> Ali Altınışık <small>COMMENTS:</small> <small>MATERIAL:</small> <small>WEIGHT:</small>			<small>CONTACT:</small> www.altinkaya.com.tr
		<small>TITLE:</small>	
		<small>DWG NO.</small> HH-035-Assembly	A3
		<small>SCALE:</small> 1:2	<small>SHEET</small> 1 OF 1




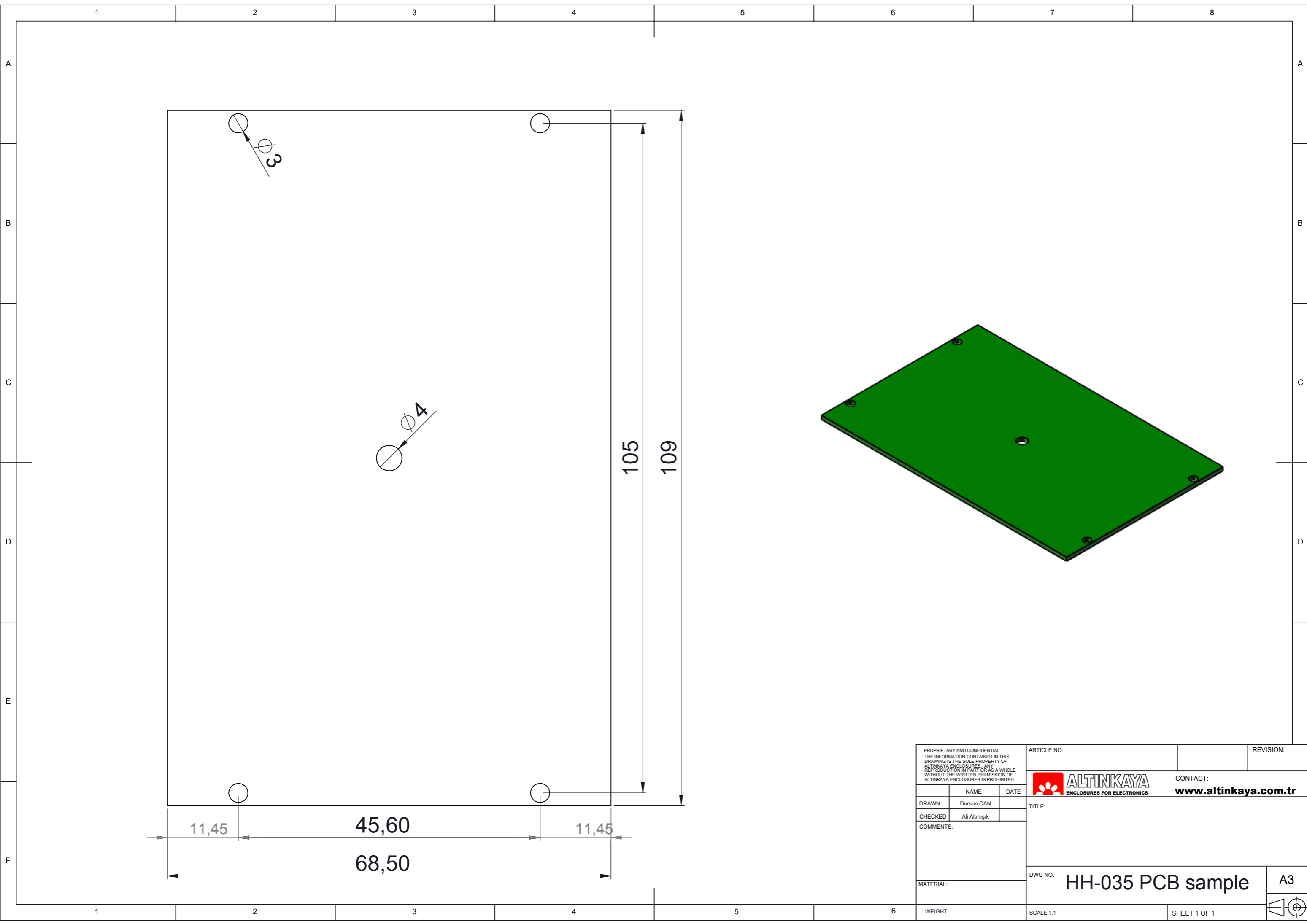
SECTION A-A


SECTION B-B

<small>PROPRIETARY AND CONFIDENTIAL THE INFORMATION CONTAINED IN THIS DRAWING IS THE SOLE PROPERTY OF ALTINKAYA ENCLOSURES. ANY REPRODUCTION IN PART OR AS A WHOLE WITHOUT THE WRITTEN PERMISSION OF ALTINKAYA ENCLOSURES IS PROHIBITED.</small>		ARTICLE NO.:	REVISION:
<small>DRAWN</small> Dursun CAN			CONTACT: www.altinkaya.com.tr
<small>CHECKED</small> Ali Altınışık			TITLE:
<small>COMMENTS:</small>		DWG NO.	HH-035-Body
<small>MATERIAL:</small>		SCALE:1:1	A3
<small>WEIGHT:</small>		SHEET 1 OF 1	



<small>PROPRIETARY AND CONFIDENTIAL THE INFORMATION CONTAINED IN THIS DRAWING IS THE SOLE PROPERTY OF ALTINKAYA ENCLOSURES. ANY REPRODUCTION IN PART OR AS A WHOLE WITHOUT THE WRITTEN PERMISSION OF ALTINKAYA ENCLOSURES IS PROHIBITED.</small>			ARTICLE NO.:	REVISION:						
<table border="1"> <tr> <th>NAME</th> <th>DATE</th> </tr> <tr> <td>Dursun CAN</td> <td></td> </tr> <tr> <td>Ali Altınışık</td> <td></td> </tr> </table>			NAME	DATE	Dursun CAN		Ali Altınışık		 ENCLOSURES FOR ELECTRONICS	CONTACT: www.altinkaya.com.tr
NAME	DATE									
Dursun CAN										
Ali Altınışık										
DRAWN			TITLE:							
CHECKED			DWG NO. HH-035-Cover							
COMMENTS:			A3							
MATERIAL:			SCALE:1:1							
WEIGHT:			SHEET 1 OF 1							



<small>PROPRIETARY AND CONFIDENTIAL THE INFORMATION CONTAINED IN THIS DRAWING IS THE SOLE PROPERTY OF ALTINKAYA ENCLOSURES. ANY REPRODUCTION IN PART OR AS A WHOLE WITHOUT THE WRITTEN PERMISSION OF ALTINKAYA ENCLOSURES IS PROHIBITED.</small>		ARTICLE NO.:	REVISION:
<small>DRAWN</small> Dursun CAN		 ALTINKAYA ENCLOSURES FOR ELECTRONICS	<small>CONTACT:</small> www.altinkaya.com.tr
<small>CHECKED</small> Ali Altınışık		TITLE:	
<small>COMMENTS:</small>		<small>DWG NO.</small> HH-035 PCB sample	
<small>MATERIAL:</small>		<small>A3</small>	
<small>WEIGHT:</small>		<small>SCALE:</small> 1:1	<small>SHEET</small> 1 OF 1