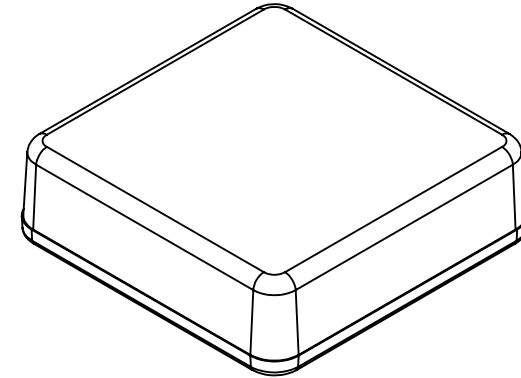

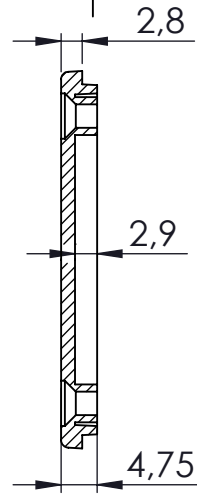
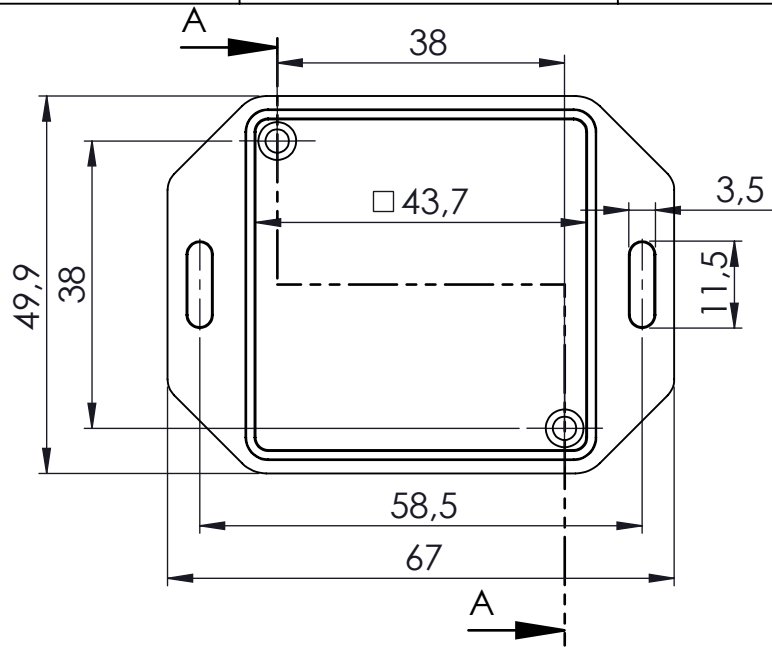


KESIT A-A

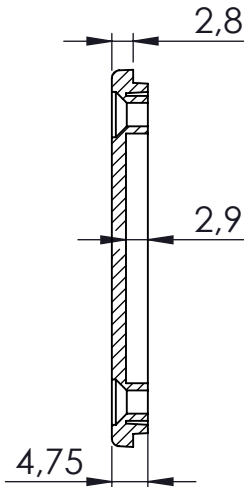
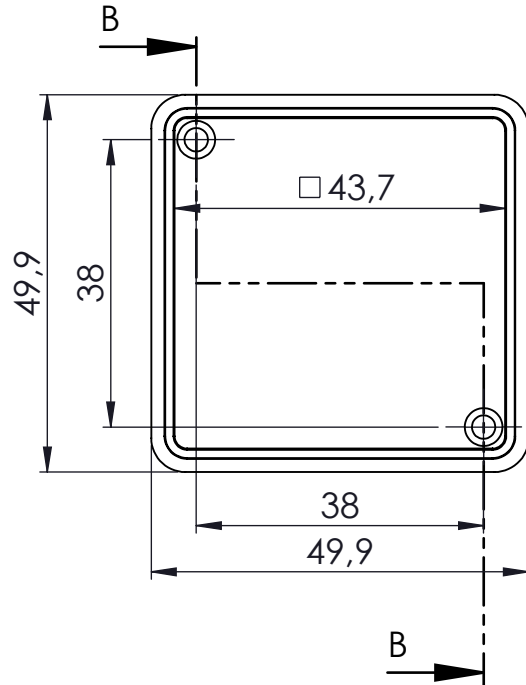
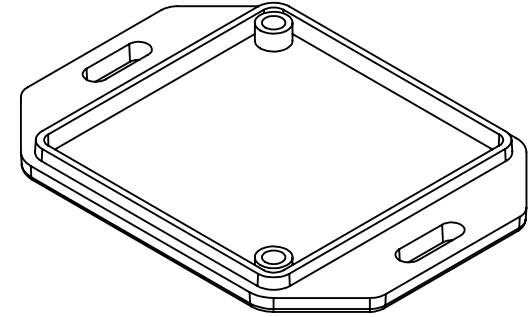


	NAME	DATE	ARTICLE NO:	REVISION:	TITLE:
DRAWN	Dursun Daşdemir	02.06.15			
CHECKED	Ali Altınışık	02.06.15	COMMENTS:		
	 ALTINKAYA ENCLOSURES FOR ELECTRONICS www.altinkaya.com.tr		DIMENSIONS ARE IN MILLIMETERS. DEBUR AND BREAK SHARP EDGES		
	PROPRIETARY AND CONFIDENTIAL THE INFORMATION CONTAINED IN THIS DRAWING IS THE SOLE PROPERTY OF ALTINKAYA ENCLOSURES. ANY REPRODUCTION IN PART OR AS A WHOLE WITHOUT THE WRITTEN PERMISSION OF ALTINKAYA ENCLOSURES IS PROHIBITED.				DWG NO. HH-005
			MATERIAL:	WEIGHT:	A4
				SCALE:1:1	SHEET 1 OF 2

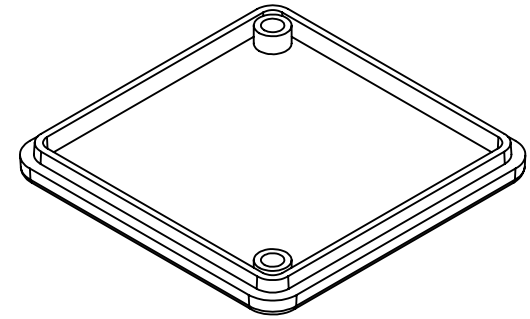





KESIT A-A

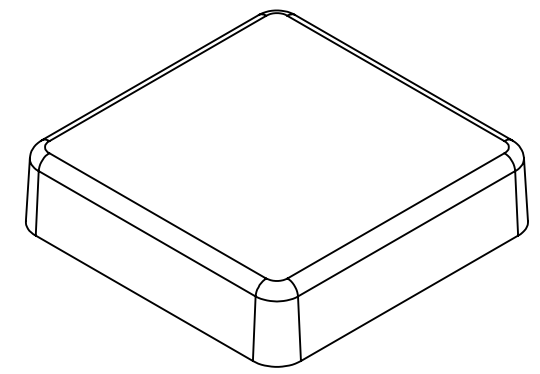
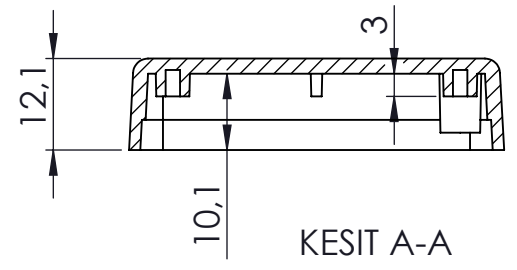
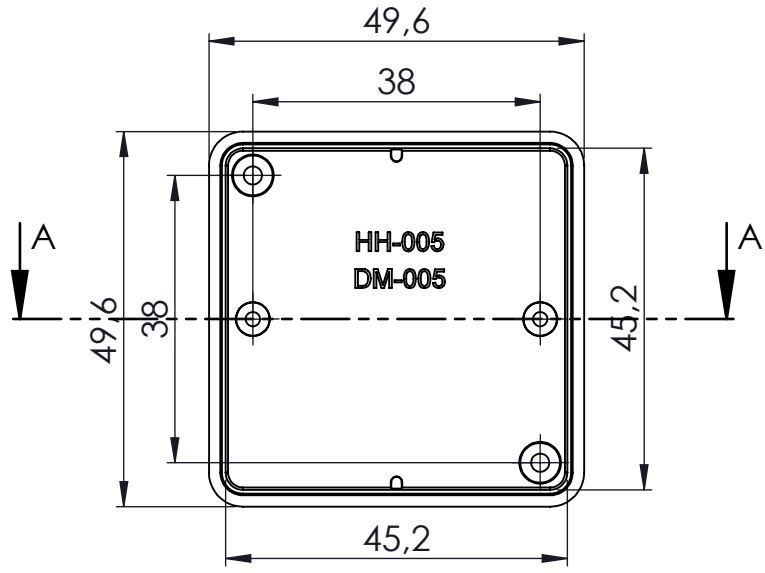



KESIT B-B



	NAME	DATE	ARTICLE NO:	REVISION:	TITLE:
DRAWN	Dursun Daşdemir	02.06.15			DM-005-P-1 / HH-005-P-1
CHECKED	Ali Altınışık	02.06.15	COMMENTS:		
	 ENCLOSURES FOR ELECTRONICS www.altinkaya.com.tr		DIMENSIONS ARE IN MILLIMETERS. DEBUR AND BREAK SHARP EDGES		DWG NO.
PROPRIETARY AND CONFIDENTIAL THE INFORMATION CONTAINED IN THIS DRAWING IS THE SOLE PROPERTY OF ALTINKAYA ENCLOSURES. ANY REPRODUCTION IN PART OR AS A WHOLE WITHOUT THE WRITTEN PERMISSION OF ALTINKAYA ENCLOSURES IS PROHIBITED.			MATERIAL:		A4
			WEIGHT:	SCALE:1:1	SHEET 1 OF 1





	NAME	DATE	ARTICLE NO:	REVISION:	TITLE:
DRAWN	Dursun Daşdemir	02.06.15			
CHECKED	Ali Altınışık	02.06.15	COMMENTS:		
	 ENCLOSURES FOR ELECTRONICS www.altinkaya.com.tr		DIMENSIONS ARE IN MILLIMETERS. DEBUR AND BREAK SHARP EDGES		
	PROPRIETARY AND CONFIDENTIAL THE INFORMATION CONTAINED IN THIS DRAWING IS THE SOLE PROPERTY OF ALTINKAYA ENCLOSURES. ANY REPRODUCTION IN PART OR AS A WHOLE WITHOUT THE WRITTEN PERMISSION OF ALTINKAYA ENCLOSURES IS PROHIBITED.			DWG NO.	HH-005-P-1
	MATERIAL:			WEIGHT:	A4
				SCALE:1:1	SHEET 1 OF 1