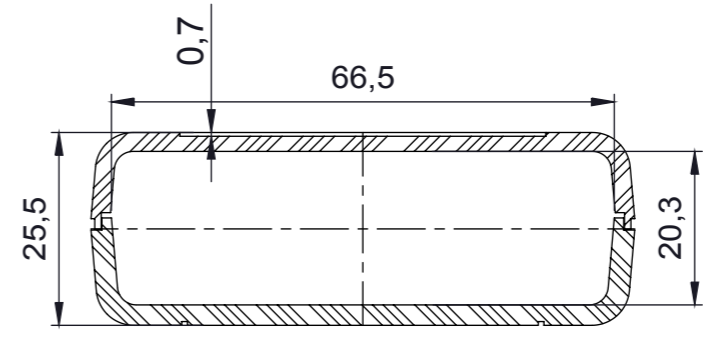
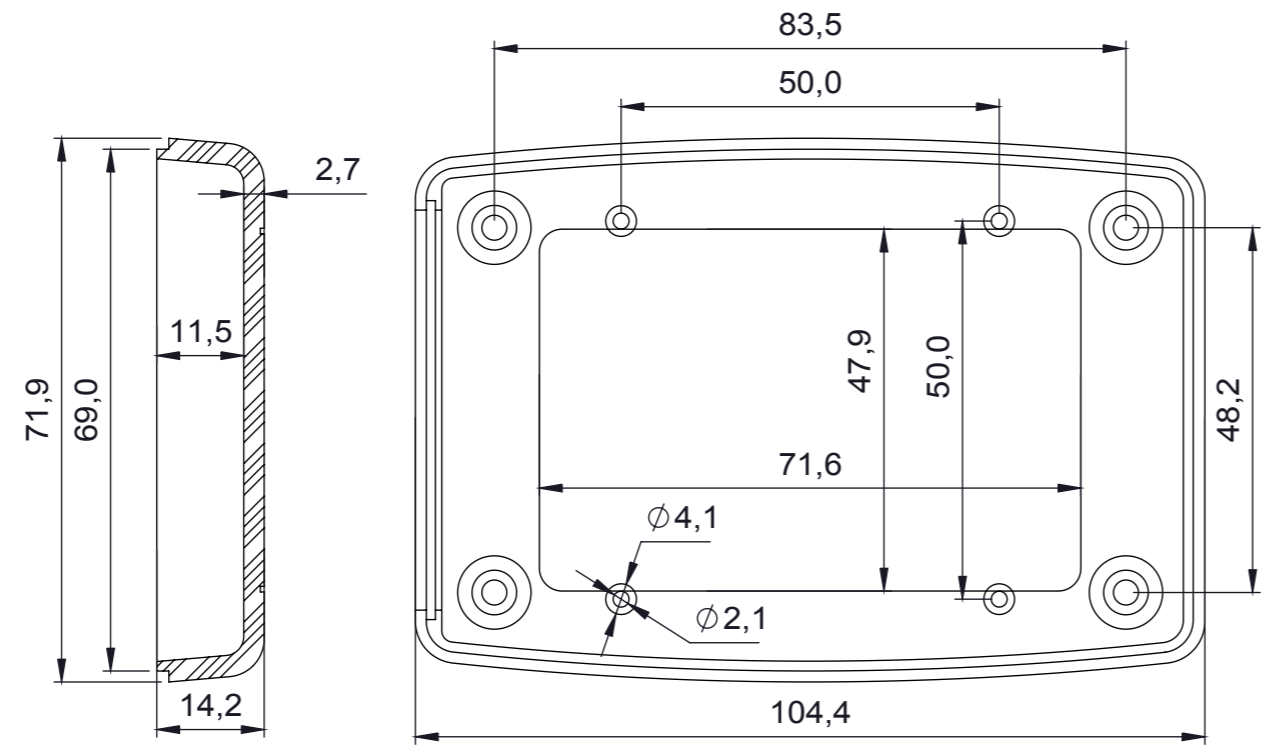


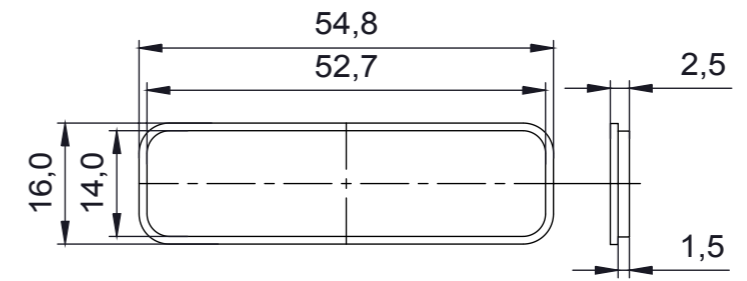
Kapak




Kesit



Taban



Panel

PROPRIETARY AND CONFIDENTIAL <small>THE INFORMATION CONTAINED IN THIS DRAWING IS THE SOLE PROPERTY OF ALTINKAYA ENCLOSURES. ANY REPRODUCTION IN PART OR AS A WHOLE WITHOUT THE WRITTEN PERMISSION OF ALTINKAYA ENCLOSURES IS PROHIBITED.</small>		ARTICLE NO:	REVISION:
DRAWN: Dursun Daşdemir 30.07.08		 ALTINKAYA ENCLOSURES FOR ELECTRONICS CONTACT: www.altinkaya.com.tr	HH-050 EI Tipi Kutu
CHECKED: Ali Altınışık 30.07.08			
COMMENTS: <small>DIMENSIONS ARE IN MILLIMETRES, DEBUR AND BREAK SHARP EDGES</small>		DWG NO:	A3
MATERIAL:		SCALE: 1:1	SHEET 1 OF 1
WEIGHT:			