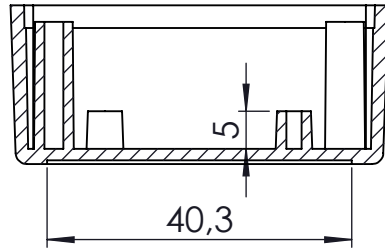



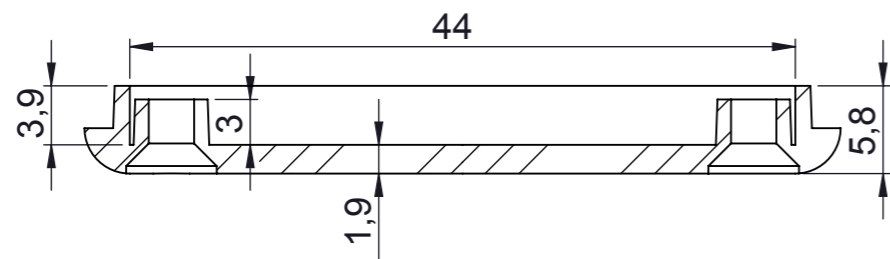
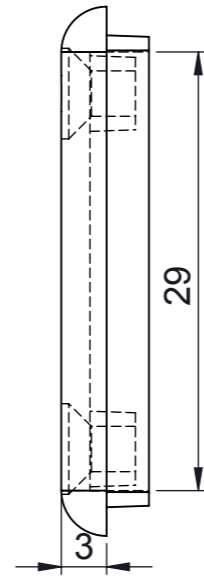
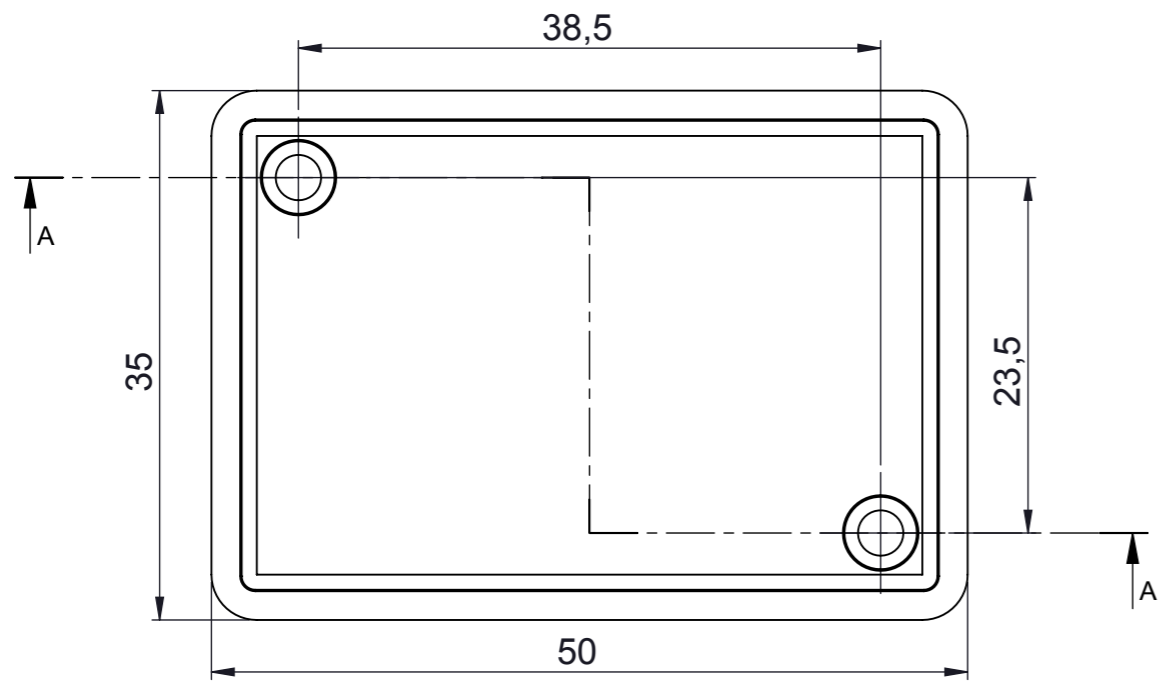
KESIT A-A



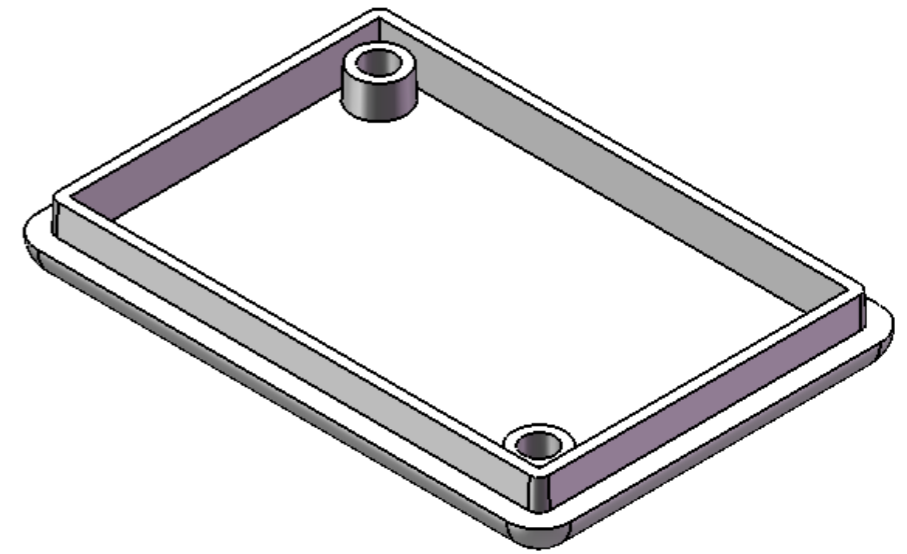
KESIT B-B

NAME	DATE	ARTICLE NO:	REVISION:	TITLE:
DRAWN	Dursun Daşdemir	08.01.20		HH-006 Gövde
CHECKED	Ali Altınışık	08.01.20		
 <a href="http://www.altinkaya.com.tr">www.altinkaya.com.tr</a>			COMMENTS: This drawing is subject to technical modification without prior notice. Typographical and other errors do not justify any claims for damages. All dimensions should be verified using an actual produced part.	
PROPRIETARY AND CONFIDENTIAL THE INFORMATION CONTAINED IN THIS DRAWING IS THE SOLE PROPERTY OF ALTINKAYA ENCLOSURES. ANY REPRODUCTION IN PART OR AS A WHOLE WITHOUT THE WRITTEN PERMISSION OF ALTINKAYA ENCLOSURES IS PROHIBITED.			DWG NO.	A4
MATERIAL:			WEIGHT:	SCALE:1:1 SHEET 1 OF 1





SECTION A-A



PROPRIETARY AND CONFIDENTIAL  
 THE INFORMATION CONTAINED IN THIS  
 DRAWING IS THE SOLE PROPERTY OF  
 ALTINKAYA ENCLOSURES. ANY  
 REPRODUCTION IN PART OR AS A WHOLE  
 WITHOUT THE WRITTEN PERMISSION OF  
 ALTINKAYA ENCLOSURES IS PROHIBITED.

ARTICLE NO:

REVISION:



CONTACT:  
[www.altinkaya.com.tr](http://www.altinkaya.com.tr)

	NAME	DATE
DRAWN	Dursun Daşdemir	12.12.07
CHECKED	Ali Altıngök	12.12.07
COMMENTS:		

TITLE:

Base

MATERIAL:

DWG NO. **HH-003-P-1-11141** A3

WEIGHT:

SCALE:2:1

SHEET 1 OF 1

