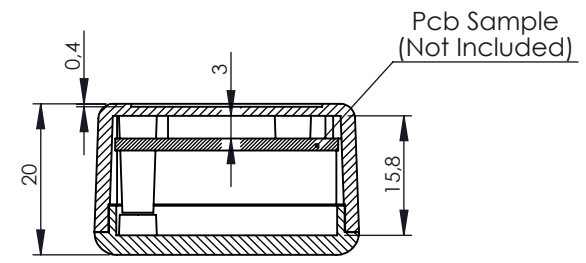
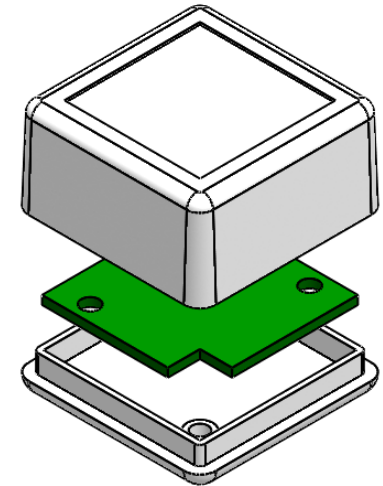



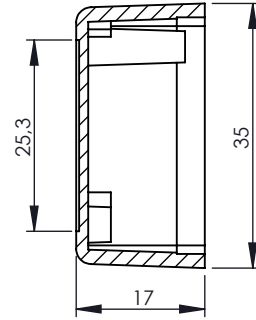
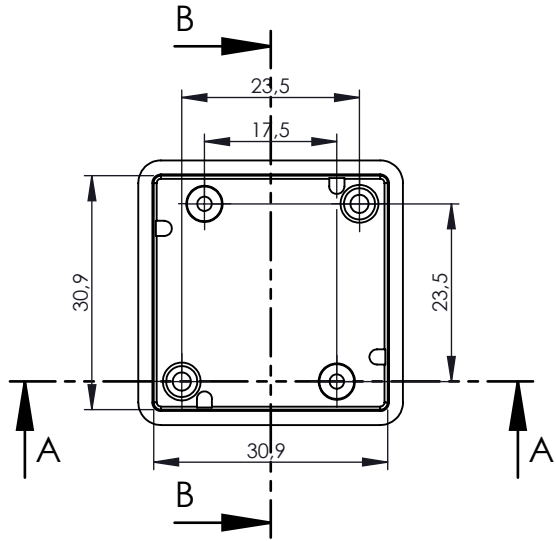
Pcb Sample



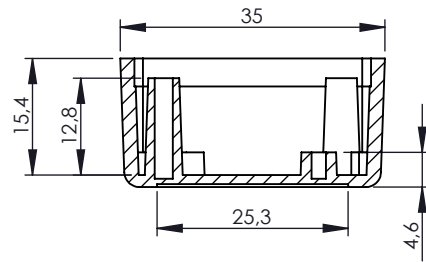
KESIT A-A



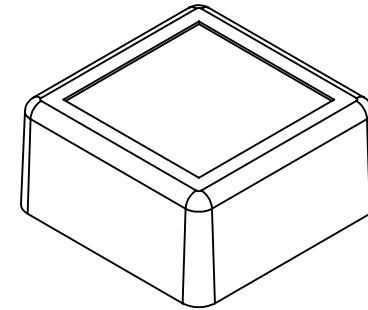
	NAME	DATE	ARTICLE NO:	REVISION:	TITLE:
DRAWN	Dursun Daşdemir	29.05.15			
CHECKED	Ali Altınışık	29.05.15	COMMENTS:		
	 ALTINKAYA ENCLOSURES FOR ELECTRONICS www.altinkaya.com.tr		DIMENSIONS ARE IN MILLIMETERS. DEBUR AND BREAK SHARP EDGES		
	PROPRIETARY AND CONFIDENTIAL THE INFORMATION CONTAINED IN THIS DRAWING IS THE SOLE PROPERTY OF ALTINKAYA ENCLOSURES. ANY REPRODUCTION IN PART OR AS A WHOLE WITHOUT THE WRITTEN PERMISSION OF ALTINKAYA ENCLOSURES IS PROHIBITED.		DWG NO. HH-002-0-0-G-0		A4
	MATERIAL:		WEIGHT:	SCALE:1:1	SHEET 1 OF 1




KESIT B-B

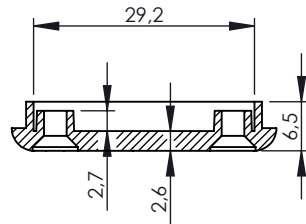
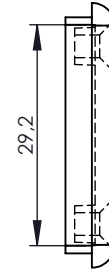
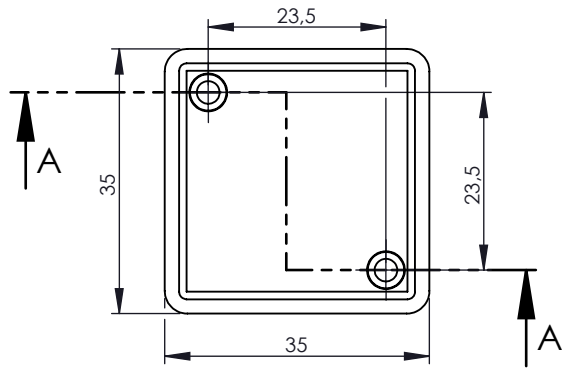


KESIT A-A

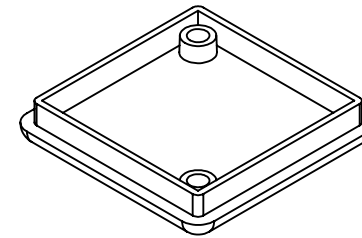



	NAME	DATE	ARTICLE NO:	REVISION:	TITLE:	
DRAWN	Dursun Dağdemir	29.05.15			Cover	
CHECKED	Ali Altınışık	29.05.15	COMMENTS:			
 ALTINKAYA ENCLOSURES FOR ELECTRONICS www.altinkaya.com.tr			DIMENSIONS ARE IN MILLIMETERS. DEBUR AND BREAK SHARP EDGES		DWG NO.	A4
PROPRIETARY AND CONFIDENTIAL THE INFORMATION CONTAINED IN THIS DRAWING IS THE SOLE PROPERTY OF ALTINKAYA ENCLOSURES. ANY REPRODUCTION IN PART OR AS A WHOLE WITHOUT THE WRITTEN PERMISSION OF ALTINKAYA ENCLOSURES IS PROHIBITED.			MATERIAL:	WEIGHT:	SCALE:1:1	SHEET 1 OF 1





KESIT A-A



	NAME	DATE	ARTICLE NO:	REVISION:	TITLE:	
DRAWN	Dursun Dağdemir	29.05.15			Base	
CHECKED	Ali Altınışık	29.05.15	COMMENTS:			
	 ENCLOSURES FOR ELECTRONICS www.altinkaya.com.tr		DIMENSIONS ARE IN MILLIMETERS. DEBUR AND BREAK SHARP EDGES		DWG NO.	A4
	PROPRIETARY AND CONFIDENTIAL THE INFORMATION CONTAINED IN THIS DRAWING IS THE SOLE PROPERTY OF ALTINKAYA ENCLOSURES. ANY REPRODUCTION IN PART OR AS A WHOLE WITHOUT THE WRITTEN PERMISSION OF ALTINKAYA ENCLOSURES IS PROHIBITED.		MATERIAL:	WEIGHT:	SCALE:1:1	SHEET 1 OF 1

