
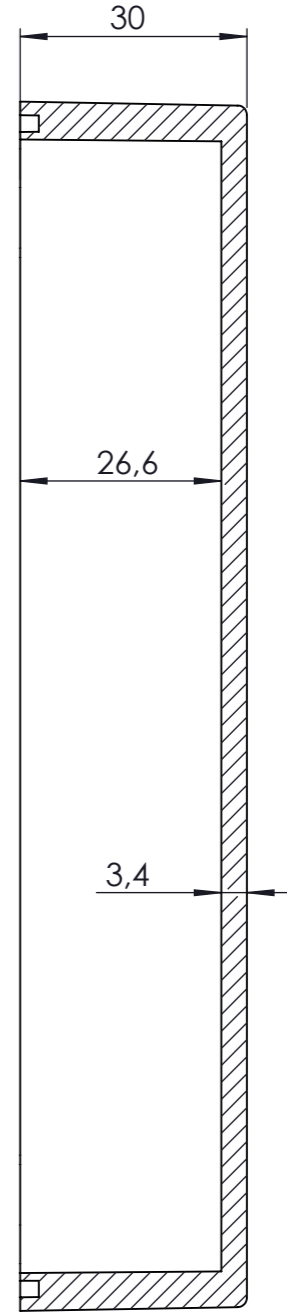
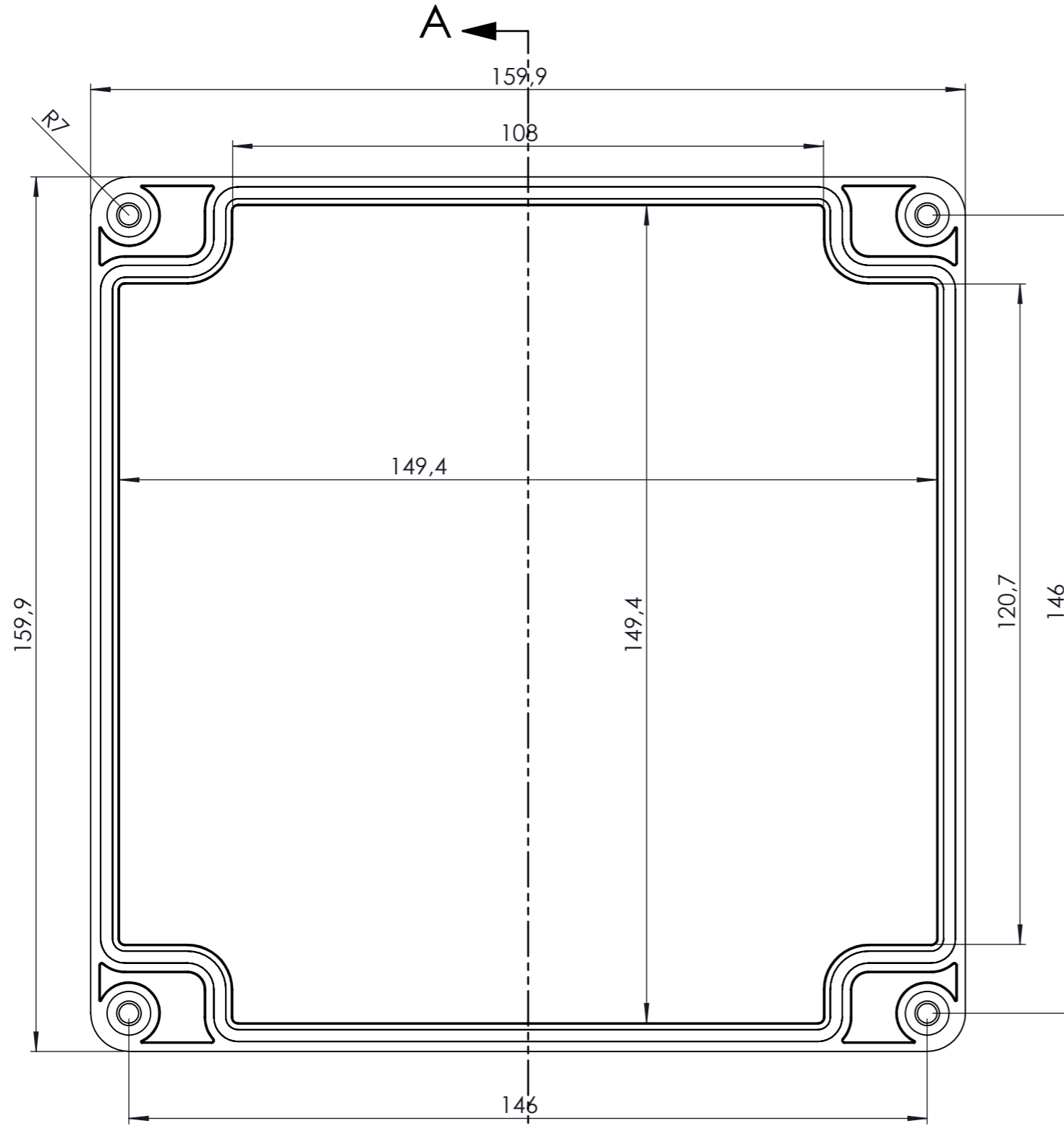


KESİT A-A  
ÖLÇEK 1 : 2


DİKKAT: BU RESİM VE ÜRÜN ÖNCEDEN HABER VERİLMEKSİZİN DEĞİŞTİREBİLİR. RESİM ÇİZİLİRKEN HATASIZ OLMASINA ÇALIŞILMASINA RAĞMEN RESİMDE HATALARDAN DOLAYI OLUŞABİLECEK ZARARLAR İÇİN ALTINKAYA HiÇ BİR SORUMLULUK KABUL ETMEZ. BÜTÜN ÖLÇÜLER KULLANILMADAN ÖNCE ÜRETİLMİŞ GERÇEK NUMUNEDEN KONTROL EDİLMELİDİR.

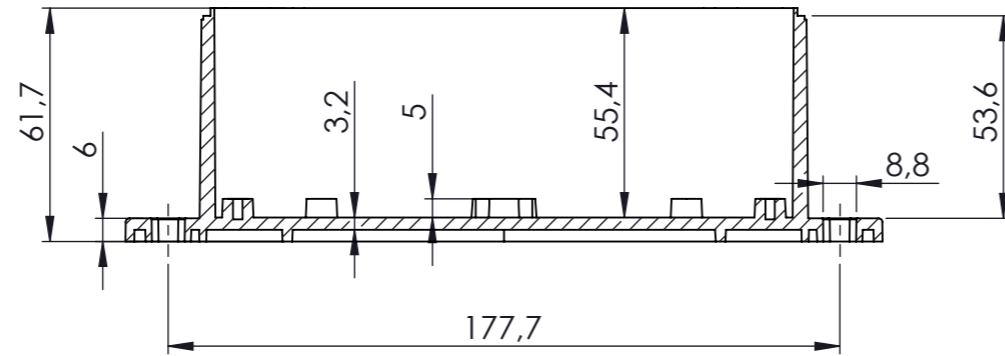
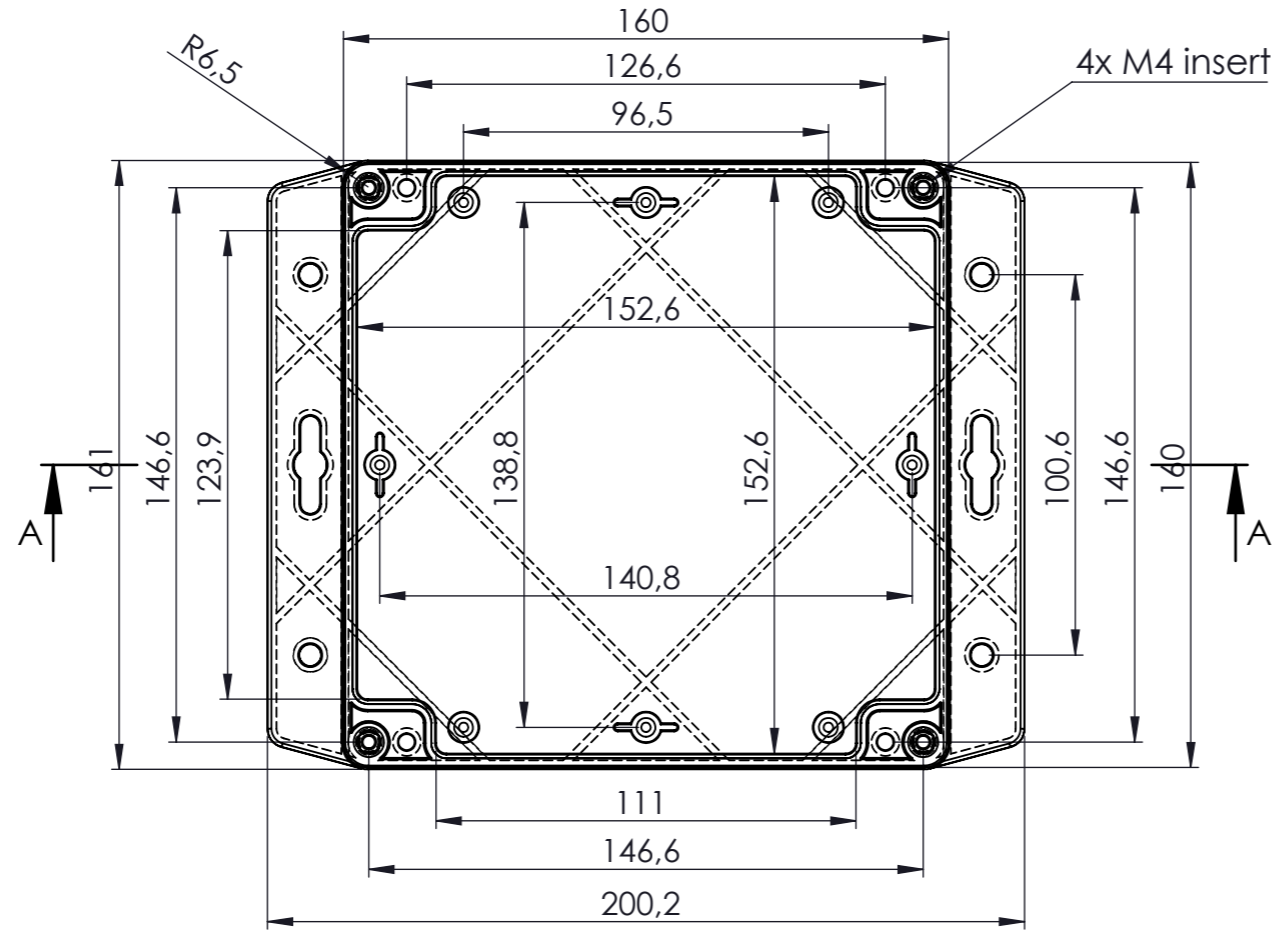
<small>PROPRIETARY AND CONFIDENTIAL. THE INFORMATION CONTAINED IN THIS DRAWING IS THE SOLE PROPERTY OF ALTINKAYA ENCLOSURES. ANY REPRODUCTION IN PART OR AS A WHOLE WITHOUT THE WRITTEN PERMISSION OF ALTINKAYA ENCLOSURES IS PROHIBITED.</small>		ARTICLE NO:	REVISION:						
<table border="1"> <tr> <th>NAME</th> <th>DATE</th> </tr> <tr> <td>DRAWN Hayri BAL</td> <td>18.12.19</td> </tr> <tr> <td>CHECKED Dursun Daşdemir</td> <td>18.12.19</td> </tr> </table>	NAME	DATE	DRAWN Hayri BAL	18.12.19	CHECKED Dursun Daşdemir	18.12.19			CONTACT: <a href="http://www.altinkaya.com.tr">www.altinkaya.com.tr</a>
NAME	DATE								
DRAWN Hayri BAL	18.12.19								
CHECKED Dursun Daşdemir	18.12.19								
<small>COMMENTS: This drawing is subject to technical modification without prior notice. Typographical and other errors do not justify any claims for damages. All dimensions should be verified using an actual produced part.</small>		<b>TITLE:</b> <b>SF-246 IP-67</b> <b>Contalı Kutu</b> <b>(Heavy Duty Enclosure)</b>							
MATERIAL:		DWG NO. <b>SF-246-0-0</b>	A3						
WEIGHT:		SCALE:1:2	SHEET 1 OF 1						



KESIT A-A


DİKKAT: BU RESİM VE ÜRÜN ÖNCEDEN HABER VERİLMEKSİZİN DEĞİŞTİREBİLİR. RESİM ÇİZİLİRKEN HATASIZ OLMASINA ÇALIŞILMASINA RAĞMEN RESİMDEKİ HATALARDAN DOLAYI OLUŞABİLECEK ZARARLAR İÇİN ALTINKAYA HiÇ BİR SORUMLULUK KABUL ETMEZ. BÜTÜN ÖLÇÜLER KULLANILMADAN ÖNCE ÜRETİLMİŞ GERÇEK NUMUNEDEN KONTROL EDİLMELİDİR.

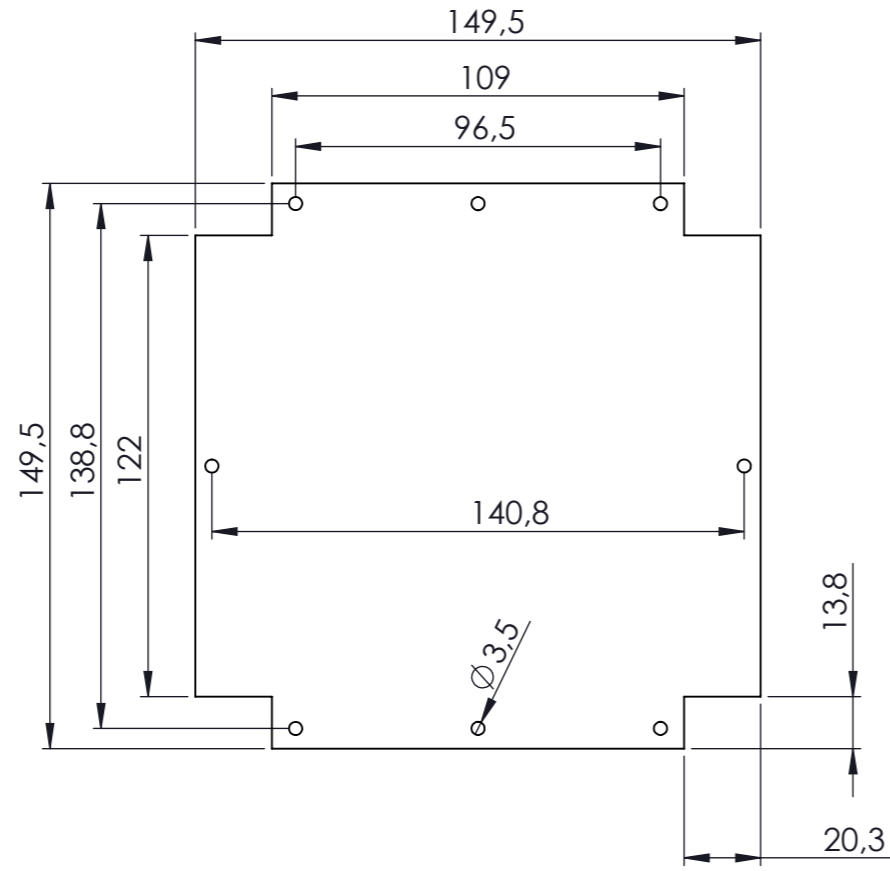
<small>PROPRIETARY AND CONFIDENTIAL. THE INFORMATION CONTAINED IN THIS DRAWING IS THE SOLE PROPERTY OF ALTINKAYA ENCLOSURES. ANY REPRODUCTION IN PART OR AS A WHOLE WITHOUT THE WRITTEN PERMISSION OF ALTINKAYA ENCLOSURES IS PROHIBITED.</small>		ARTICLE NO:	REVISION:
DRAWN	NAME	DATE	 <b>ALTINKAYA</b> ENCLOSURES FOR ELECTRONICS
	Hayri BAL	31.10.19	
CHECKED	Ali Altınışık		CONTACT: <a href="http://www.altinkaya.com.tr">www.altinkaya.com.tr</a>
<small>COMMENTS: This drawing is subject to technical modification without prior notice. Typographical and other errors do not justify any claims for damages. All dimensions should be verified using an actual produced part.</small>			TITLE: <b>SE-244 KAPAK</b>
MATERIAL:			DWG NO: <b>SE-244-P-1</b>
WEIGHT:			A3
SCALE:1:1			SHEET 1 OF 1



KESIT A-A

DİKKAT: BU RESİM VE ÜRÜN ÖNCEDEN HABER VERİLMEKSİZİN DEĞİŞTİREBİLİR. RESİM ÇİZİLİRKEN HATASIZ OLMASINA ÇALIŞILMASINA RAĞMEN RESİMDE HATALAR BULUNABİLİR. RESİMDEKİ HATALARDAN DOLAYI OLUŞABİLECEK ZARARLAR İÇİN ALTINKAYA HiÇ BİR SORUMLULUK KABUL ETMEZ. BÜTÜN ÖLÇÜLER KULLANILMADAN ÖNCE ÜRETİLMİŞ GERÇEK NUMUNEDEN KONTROL EDİLMELİDİR.

PROPRIETARY AND CONFIDENTIAL. THE INFORMATION CONTAINED IN THIS DRAWING IS THE SOLE PROPERTY OF ALTINKAYA ENCLOSURES. ANY REPRODUCTION IN PART OR AS A WHOLE WITHOUT THE WRITTEN PERMISSION OF ALTINKAYA ENCLOSURES IS PROHIBITED.		ARTICLE NO:	REVISION:
DRAWN	NAME: Hayri BAL	DATE: 18.12.19	 <b>ALTINKAYA</b> ENCLOSURES FOR ELECTRONICS CONTACT: <a href="http://www.altinkaya.com.tr">www.altinkaya.com.tr</a>
CHECKED	NAME: Dursun Daşdemir	DATE: 18.12.19	
COMMENTS: This drawing is subject to technical modification without prior notice. Typographical and other errors do not justify any claims for damages. All dimensions should be verified using an actual produced part.			TITLE: <b>SF-246 GÖVDE</b>
MATERIAL:			DWG NO: <b>SF-246-P-2</b>
WEIGHT:			A3
SCALE: 1:2			SHEET 1 OF 1



DİKKAT: BU RESİM VE ÜRÜN ÖNCEDEN HABER VERİLMEKSİZİN DEĞİŞTİRİLEBİLİR. RESİM ÇİZİLİRKEN HATASIZ OLMASINA ÇALIŞILMASINA RAĞMEN RESİMDEKİ HATALARDAN DOLAYI OLUŞABİLECEK ZARARLAR İÇİN ALTINKAYA HIÇ BİR SORUMLULUK KABUL ETMEZ. BÜTÜN ÖLÇÜLER KULLANILMADAN ÖNCE ÜRETİLMİŞ GERÇEK NUMUNEDEN KONTROL EDİLMELİDİR.

PROPRIETARY AND CONFIDENTIAL  
THE INFORMATION CONTAINED IN THIS  
DRAWING IS THE SOLE PROPERTY OF  
ALTINKAYA ENCLOSURES. ANY  
REPRODUCTION IN PART OR AS A WHOLE  
WITHOUT THE WRITTEN PERMISSION OF  
ALTINKAYA ENCLOSURES IS PROHIBITED.

	NAME	DATE
DRAWN	Hayri BAL	18.12.19
CHECKED	Dursun Daşdemir	18.12.19

COMMENTS: This drawing is subject to technical modification without prior notice. Typographical and other errors do not justify any claims for damages. All dimensions should be verified using an actual produced part.

MATERIAL:

WEIGHT:

ARTICLE NO. REVISION:

**ALTINKAYA**  
ENCLOSURES FOR ELECTRONICS CONTACT:  
[www.altinkaya.com.tr](http://www.altinkaya.com.tr)

TITLE:  
**SF-246**  
**Pcb Sample (not included)**

DWG NO. **SF-246\_pcb\_sample** A3

SCALE:1:2 SHEET 1 OF 1