

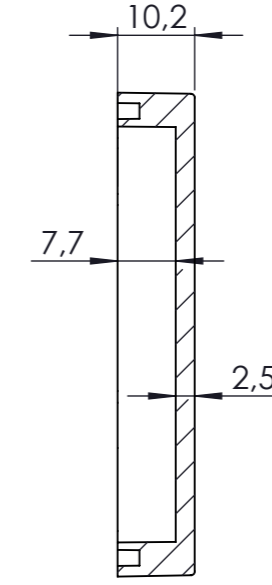
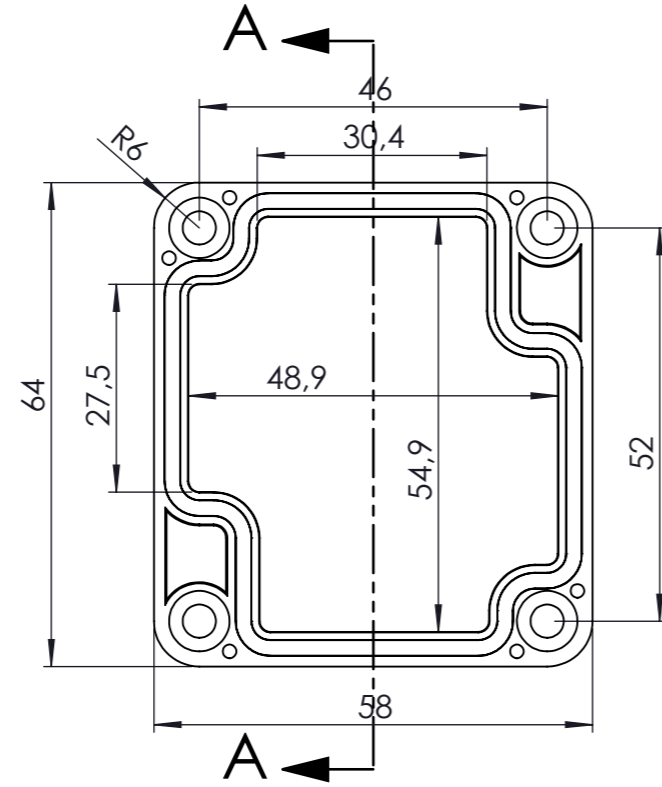


KESIT A-A


DİKKAT: BU RESİM VE ÜRÜN ÖNCEDEN HABER VERİLMEKSİZİN DEĞİŞTİREBİLİR. RESİM ÇİZİLİRKEN HATASIZ OLMASINA ÇALIŞILMASINA RAĞMEN RESİMDEKİ HATALARDAN DOLAYI OLUŞABİLECEK ZARARLAR İÇİN ALTINKAYA HiÇ BİR SORUMLULUK KABUL ETMEZ. BÜTÜN ÖLÇÜLER KULLANILMADAN ÖNCE ÜRETİLMİŞ GERÇEK NUMUNEDEN KONTROL EDİLMELİDİR.

| | | | |
|---|--|--|-----------|
| <small>PROPRIETARY AND CONFIDENTIAL. THE INFORMATION CONTAINED IN THIS DRAWING IS THE SOLE PROPERTY OF ALTINKAYA ENCLOSURES. ANY REPRODUCTION IN PART OR AS A WHOLE WITHOUT THE WRITTEN PERMISSION OF ALTINKAYA ENCLOSURES IS PROHIBITED.</small> | | ARTICLE NO: | REVISION: |
| <small>DRAWN</small> Hayri BAL <small>DATE</small> 04.12.19 | |  <small>CONTACT:</small> www.altinkaya.com.tr | |
| <small>CHECKED</small> Dursun Daşdemir <small>DATE</small> 04.12.19 | | <small>TITLE:</small> SF-204 IP-67 Heavy Duty Enclosure | |
| <small>COMMENTS:</small> This drawing is subject to technical modification without prior notice. Typographical and other errors do not justify any claims for damages. All dimensions should be verified using an actual produced part. | | <small>DWG NO.</small> SF-204-0-0 <small>A3</small> | |
| <small>MATERIAL:</small> | | <small>SCALE:</small> 1:1 <small>SHEET 1 OF 1</small> | |
| <small>WEIGHT:</small> | |  | |

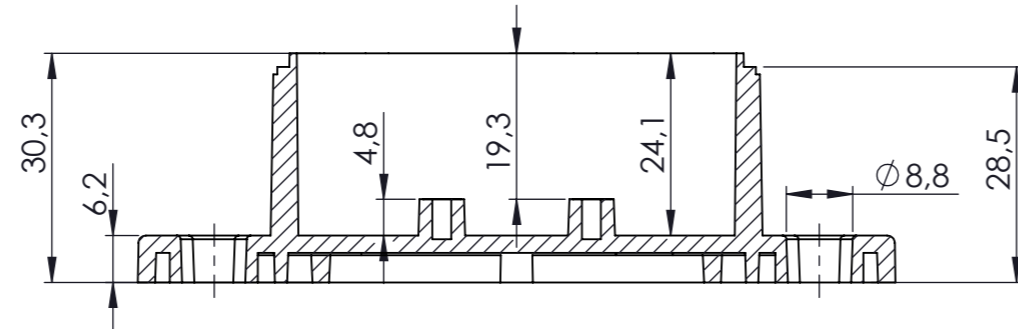
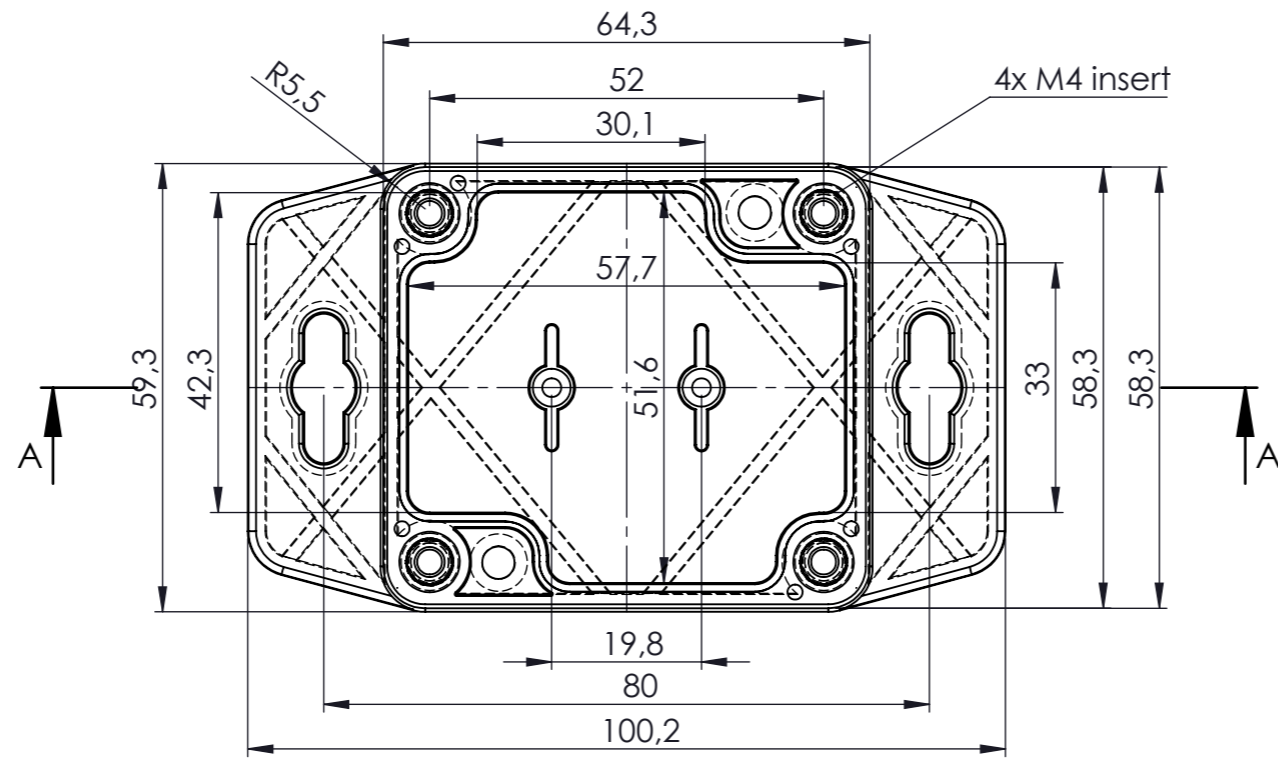


KESIT A-A

DİKKAT: BU RESİM VE ÜRÜN ÖNCEDEN HABER VERİLMEKSİZİN DEĞİŞTİREBİLİR. RESİM ÇİZİLİRKEN HATASIZ OLMASINA ÇALIŞILMASINA RAĞMEN RESİMDE HATALARDAN DOLAYI OLUŞABİLECEK ZARARLAR İÇİN ALTINKAYA HiÇ BİR SORUMLULUK KABUL ETMEZ. BÜTÜN ÖLÇÜLER KULLANILMADAN ÖNCE ÜRETİLMİŞ GERÇEK NUMUNEDEN KONTROL EDİLMELİDİR.



| | | | | |
|---|--|--|---|--------------|
| <small>PROPRIETARY AND CONFIDENTIAL. THE INFORMATION CONTAINED IN THIS DRAWING IS THE SOLE PROPERTY OF ALTINKAYA ENCLOSURES. ANY REPRODUCTION IN PART OR AS A WHOLE WITHOUT THE WRITTEN PERMISSION OF ALTINKAYA ENCLOSURES IS PROHIBITED.</small> | | | ARTICLE NO: | REVISION: |
| <small>DRAWN</small> Hayri BAL 05.11.19 <small>CHECKED</small> Dursun Dağdemir 05.11.19 | | |  CONTACT: www.altinkaya.com.tr | |
| <small>COMMENTS: This drawing is subject to technical modification without prior notice. Typographical and other errors do not justify any claims for damages. All dimensions should be verified using an actual produced part.</small> | | | TITLE: SE-204 KAPAK | |
| MATERIAL: | | | DWG NO: SE-204-P-1 | A3 |
| WEIGHT: | | | SCALE:1:1 | SHEET 1 OF 1 |

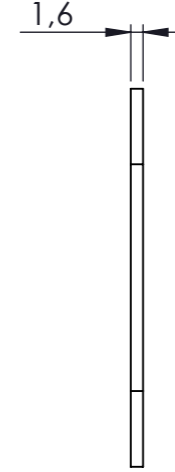
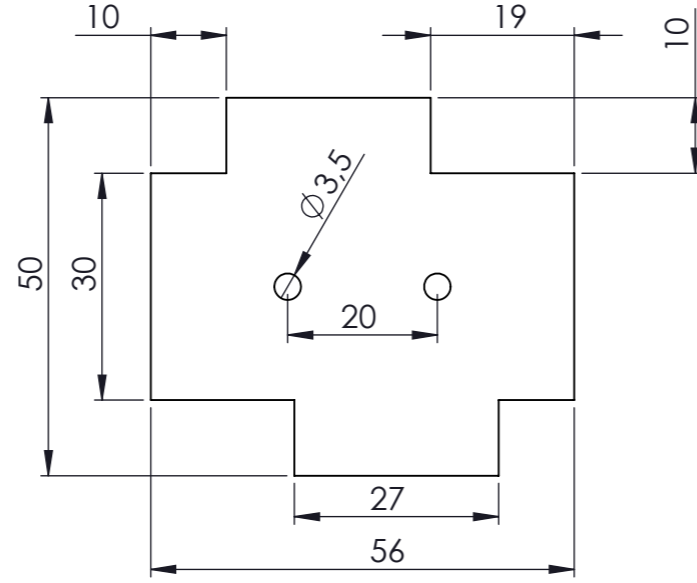




KESIT A-A

DİKKAT: BU RESİM VE ÜRÜN ÖNCEDEN HABER VERİLMEKSİZİN DEĞİŞTİREBİLİR. RESİM ÇİZİLİRKEN HATASIZ OLMASINA ÇALIŞILMASINA RAĞMEN RESİMDEKİ HATALARDAN DOLAYI OLUŞABİLECEK ZARARLAR İÇİN ALTINKAYA HiÇ BİR SORUMLULUK KABUL ETMEZ. BÜTÜN ÖLÇÜLER KULLANILMADAN ÖNCE ÜRETİLMİŞ GERÇEK NUMUNEDEN KONTROL EDİLMELİDİR.

| | | | |
|--|-----------------|-------------|--|
| PROPRIETARY AND CONFIDENTIAL. THE INFORMATION CONTAINED IN THIS DRAWING IS THE SOLE PROPERTY OF ALTINKAYA ENCLOSURES. ANY REPRODUCTION IN PART OR AS A WHOLE WITHOUT THE WRITTEN PERMISSION OF ALTINKAYA ENCLOSURES IS PROHIBITED. | | ARTICLE NO: | REVISION: |
| DRAWN | HAYRI BAL | 04.12.19 |  ALTINKAYA ENCLOSURES FOR ELECTRONICS |
| CHECKED | Dursun Daşdemir | 04.12.19 | |
| COMMENTS: This drawing is subject to technical modification without prior notice. Typographical and other errors do not justify any claims for damages. All dimensions should be verified using an actual produced part. | | | CONTACT: www.altinkaya.com.tr |
| MATERIAL: | | | TITLE: SF-204 GÖVDE |
| WEIGHT: | | | DWG NO: SF-204-P-2 |
| SCALE:1:1 | | | A3 |
| SHEET 1 OF 1 | | |  |



DİKKAT: BU RESİM VE ÜRÜN ÖNCEDEN HABER VERİLMEKSİZİN DEĞİŞTİRİLEBİLİR. RESİM ÇİZİLİRKEN HATASIZ OLMASINA ÇALIŞILMASINA RAĞMEN RESİMDEKİ HATALARDAN DOLAYI OLUŞABİLECEK ZARARLAR İÇİN ALTINKAYA HiÇ BİR SORUMLULUK KABUL ETMEZ. BÜTÜN ÖLÇÜLER KULLANILMADAN ÖNCE ÜRETİLMİŞ GERÇEK NUMUNEDEN KONTROL EDİLMELİDİR.

PROPRIETARY AND CONFIDENTIAL
THE INFORMATION CONTAINED IN THIS
DRAWING IS THE SOLE PROPERTY OF
ALTINKAYA ENCLOSURES. ANY
REPRODUCTION IN PART OR AS A WHOLE
WITHOUT THE WRITTEN PERMISSION OF
ALTINKAYA ENCLOSURES IS PROHIBITED.

| NAME | DATE |
|-------------------------|----------|
| DRAWN Hayri BAL | 05.11.19 |
| CHECKED Dursun Dağdemir | 05.11.19 |

COMMENTS: This drawing is subject to technical modification without prior notice. Typographical and other errors do not justify any claims for damages. All dimensions should be verified using an actual produced part.

MATERIAL:

WEIGHT:

ARTICLE NO: REVISION:

ALTINKAYA
ENCLOSURES FOR ELECTRONICS CONTACT: www.altinkaya.com.tr

TITLE: **SE-204**
Pcb Sample (not included)

DWG NO: **SE-204_pcb_sample** A3

SCALE:1:1 SHEET 1 OF 1