


KESIT A-A

KESIT B-B

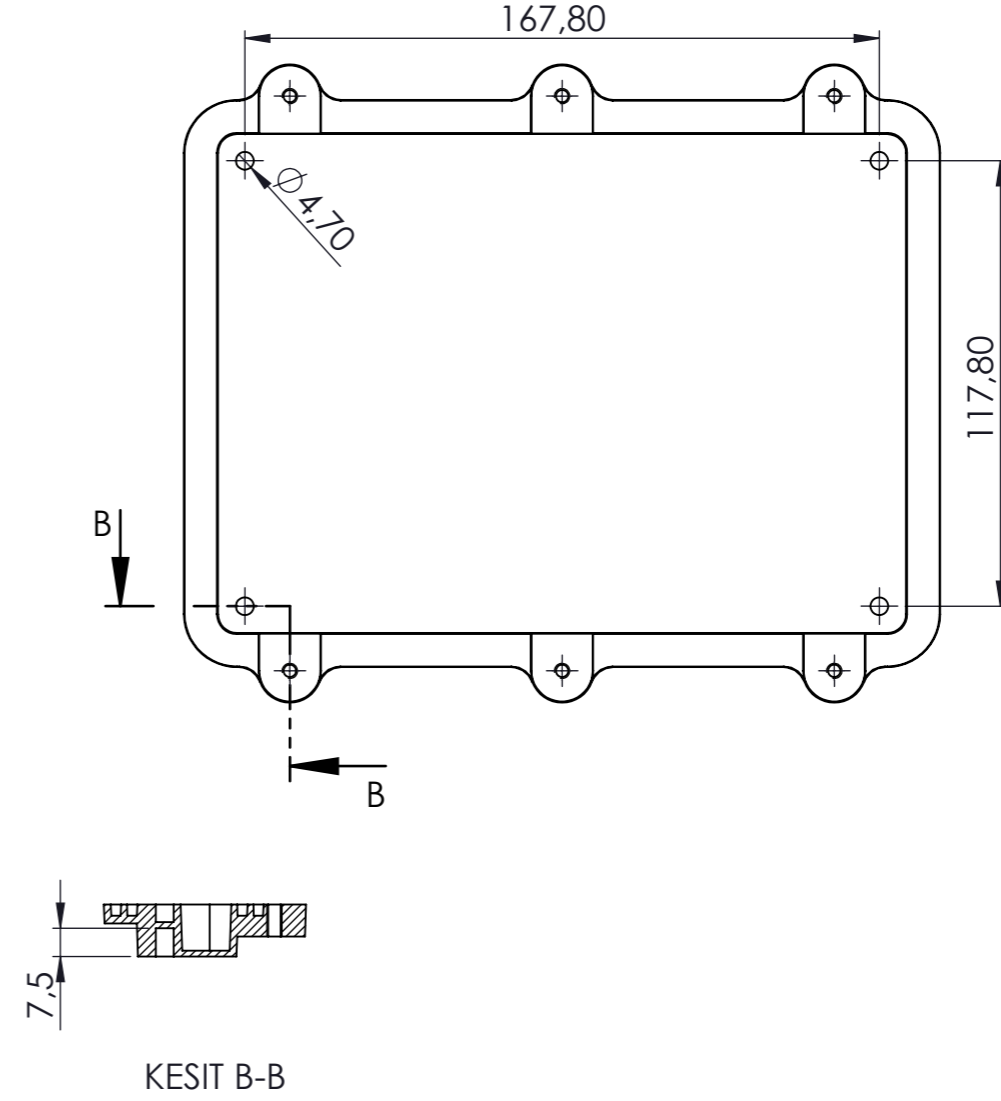
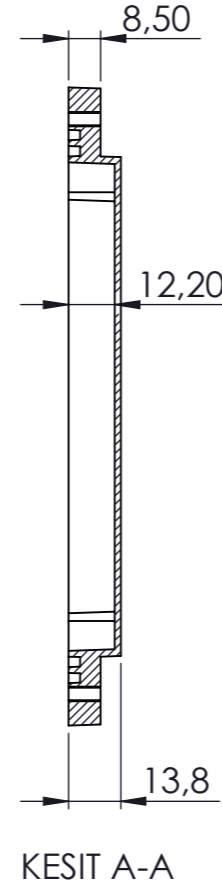
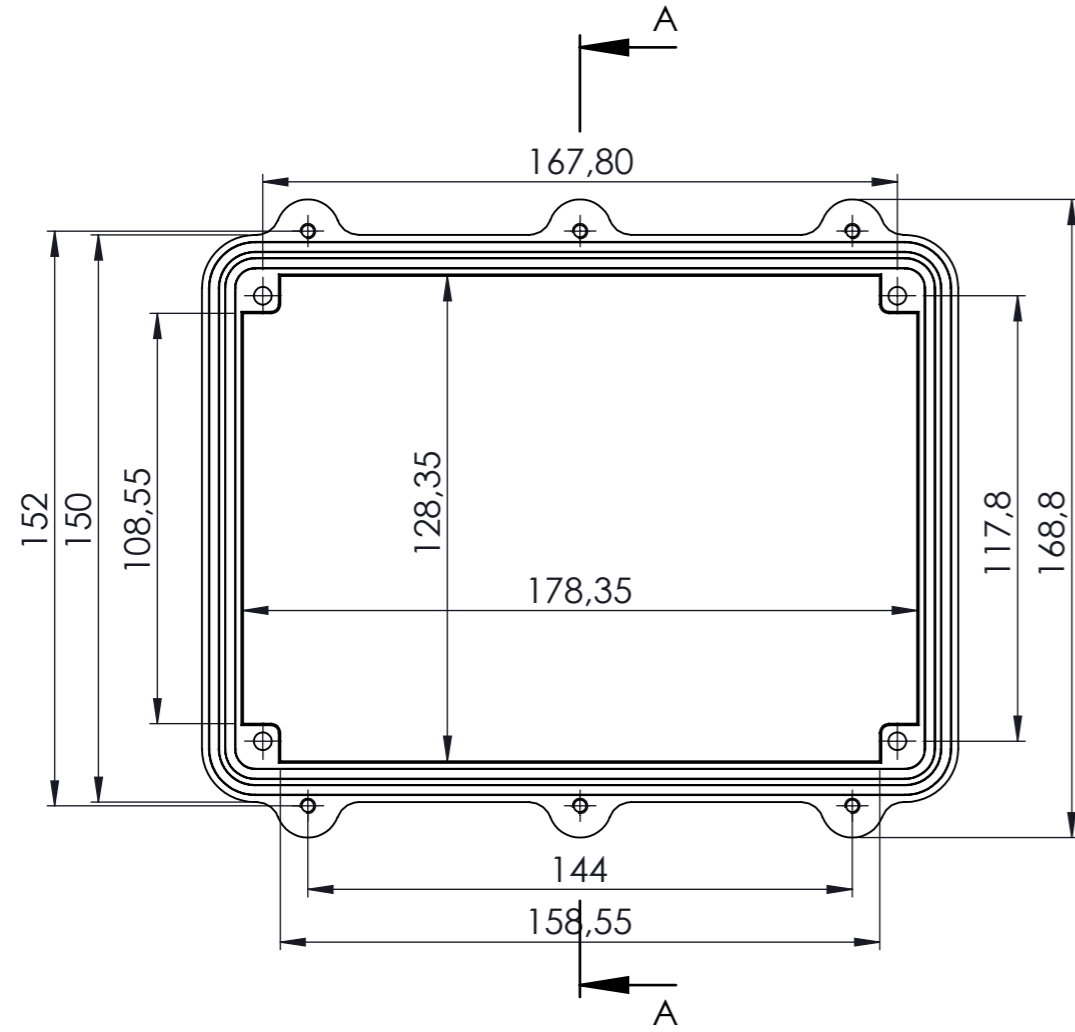
Tolerances: $\pm 0,30$ mm

NAME	DATE	ARTICLE NO:	REVISION:	TITLE:
DRAWN	Dursun Daşdemir	28.09.18		SE-530 IP-67 Aluminium Enclosure
CHECKED	Ali Altınışık	28.09.18		
 www.altinkaya.com.tr			COMMENTS: This drawing is subject to technical modification without prior notice. Typographical and other errors do not justify any claims for damages. All dimensions should be verified using an actual produced part.	
PROPRIETARY AND CONFIDENTIAL THE INFORMATION CONTAINED IN THIS DRAWING IS THE SOLE PROPERTY OF ALTINKAYA ENCLOSURES. ANY REPRODUCTION IN PART OR AS A WHOLE WITHOUT THE WRITTEN PERMISSION OF ALTINKAYA ENCLOSURES IS PROHIBITED.			DİKKAT: BU RESİM VE ÜRÜN ÖNCEDEN HABER VERİLMEKSİZİN DEĞİŞTİRİLEBİLİR. RESİM ÇİZİLRKEN HATASIZ OLMASINA ÇALIŞILMASINA RAĞMEN RESİMDE HATALAR BULUNABİLİR. RESİMDEKİ HATALARDAN DOLAYI OLUŞABİLECEK ZARARLAR İÇİN ALTINKAYA HİÇ BİR SORUMLULUK KABUL ETMEZ. BÜTÜN ÖLÇÜLER KULLANILMADAN ÖNCE ÜRETİLMİŞ GERÇEK NUMUNEDEN KONTROL EDİLMELİDİR.	
MATERIAL: Aluminium Alloy ADC-12			WEIGHT:	DWG NO: SE-530-0-0

NAME	DATE	ARTICLE NO:	REVISION:	TITLE:
DRAWN	Dursun Daşdemir	28.09.18		SE-530 IP-67 Aluminium Enclosure
CHECKED	Ali Altınışık	28.09.18		
MATERIAL: Aluminium Alloy ADC-12			WEIGHT:	DWG NO: SE-530-0-0
SCALE:1:2			SHEET 1 OF 1	


A4

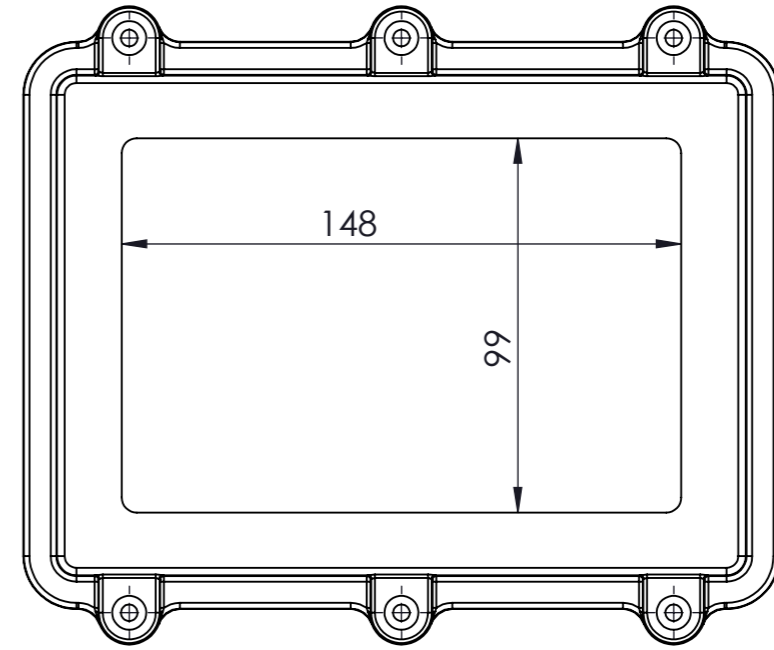
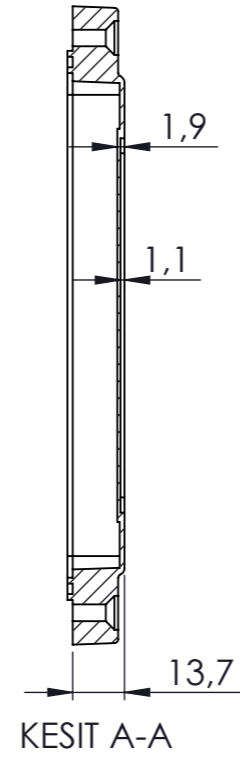
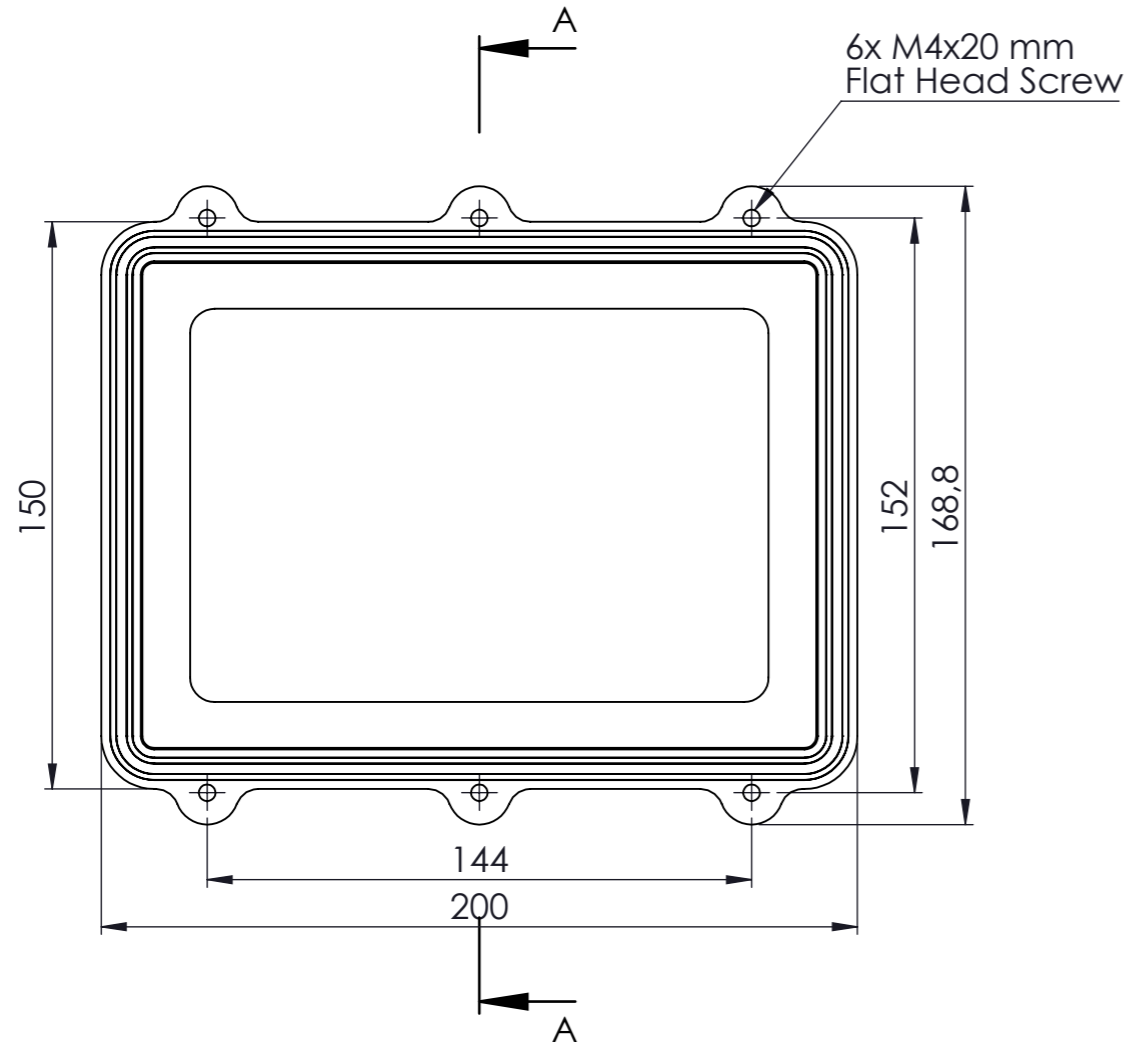




Tolerances: $\pm 0,30$ mm


DİKKAT: BU RESİM VE ÜRÜN ÖNCEDEN HABER VERİLMEKSİZİN DEĞİŞTİREBİLİR. RESİM ÇİZİLİRKEN HATASIZ OLMASINA ÇALIŞILMASINA RAĞMEN RESİMDE HATALAR BULUNABİLİR. RESİMDEKİ HATALARDAN DOLAYI OLUŞABİLECEK ZARARLAR İÇİN ALTINKAYA HiÇ BİR SORUMLULUK KABUL ETMEZ. BÜTÜN ÖLÇÜLER KULLANILMADAN ÖNCE ÜRETİLMİŞ GERÇEK NUMUNEDEN KONTROL EDİLMELİDİR.

<small>PROPRIETARY AND CONFIDENTIAL. THE INFORMATION CONTAINED IN THIS DRAWING IS THE SOLE PROPERTY OF ALTINKAYA ENCLOSURES. ANY REPRODUCTION IN PART OR AS A WHOLE WITHOUT THE WRITTEN PERMISSION OF ALTINKAYA ENCLOSURES IS PROHIBITED.</small>			ARTICLE NO:	REVISION:
<small>DRAWN</small> Dursun Daşdemir 28.09.18 <small>CHECKED</small> Ali Altınışık 28.09.18				CONTACT: www.altinkaya.com.tr
<small>COMMENTS: This drawing is subject to technical modification without prior notice. Typographical and other errors do not justify any claims for damages. All dimensions should be verified using an actual produced part.</small>			TITLE: <h2>SE-530 Body</h2>	
MATERIAL: Aluminium Alloy ADC-12			DWG NO. <h2>SE-530-P-1</h2>	A3
WEIGHT:			SCALE:1:2	SHEET 1 OF 1



Tolerances: $\pm 0,30$ mm

DİKKAT: BU RESİM VE ÜRÜN ÖNCEDEN
HABER VERİLMEKSİZİN DEĞİŞTİREBİLİR.
RESİM ÇİZİLİRKEN HATASIZ OLMASINA
ÇALIŞILMASINA RAĞMEN RESİMDE
HATALAR BULUNABİLİR. RESİMDEKİ
HATALARDAN DOLAYI OLUŞABİLECEK
ZARARLAR İÇİN ALTINKAYA HiÇ BİR
SORUMLULUK KABUL ETMEZ. BÜTÜN
ÖLÇÜLER KULLANILMADAN ÖNCE
ÜRETİLMİŞ GERÇEK NUMUNEDEN
KONTROL EDİLMELİDİR.

<small>PROPRIETARY AND CONFIDENTIAL THE INFORMATION CONTAINED IN THIS DRAWING IS THE SOLE PROPERTY OF ALTINKAYA ENCLOSURES. ANY REPRODUCTION IN PART OR AS A WHOLE WITHOUT THE WRITTEN PERMISSION OF ALTINKAYA ENCLOSURES IS PROHIBITED.</small>			ARTICLE NO:	REVISION:
<small>DRAWN</small> Dursun Daşdemir 28.09.18 <small>CHECKED</small> Ali Altınışık 28.09.18			 ALTINKAYA <small>ENCLOSURES FOR ELECTRONICS</small>	CONTACT: www.altinkaya.com.tr
<small>COMMENTS: This drawing is subject to technical modification without prior notice. Typographical and other errors do not justify any claims for damages. All dimensions should be verified using an actual produced part.</small>			<h2>SE-530 Cover</h2>	
MATERIAL: Aluminium Alloy ADC-12			DWG NO.	A3
WEIGHT:			SCALE:1:2	SHEET 1 OF 1