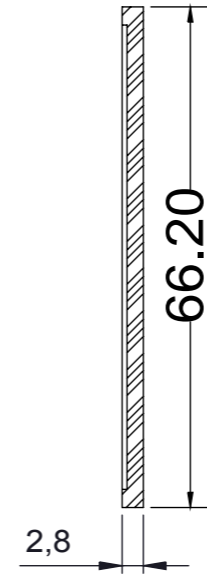
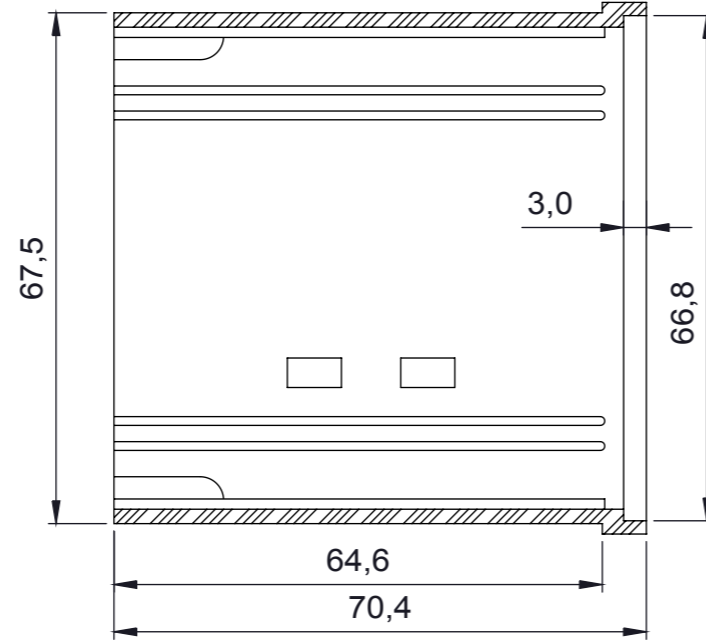
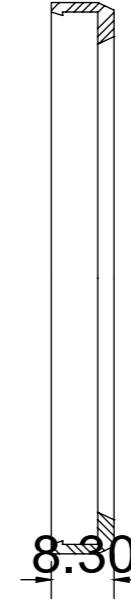


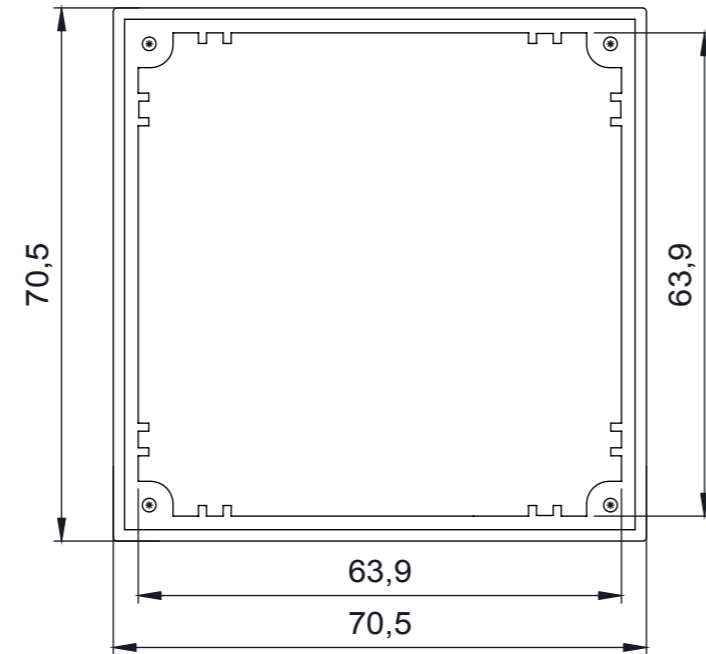
Terminalli Kapak



Düz Panel



Çerçeve



PROPRIETARY AND CONFIDENTIAL <small>THE INFORMATION CONTAINED IN THIS DRAWING IS THE SOLE PROPERTY OF ALTINKAYA ENCLOSURES. ANY REPRODUCTION IN PART OR AS A WHOLE WITHOUT THE WRITTEN PERMISSION OF ALTINKAYA ENCLOSURES IS PROHIBITED.</small>			ARTICLE NO:	REVISION:
DRAWN Dursun Daşdemir 01.08.08			ALTINKAYA ENCLOSURES FOR ELECTRONICS CONTACT: www.altinkaya.com.tr	TITLE: <b>PT-180 Panel Tipi Kutu</b>
CHECKED Ali Altınışık 01.08.08				
COMMENTS: DIMENSIONS ARE IN MILLIMETRES, DEBUR AND BREAK SHARP EDGES			DWG NO:	A3
MATERIAL:			SCALE: 1:1	SHEET 1 OF 1
WEIGHT:				