
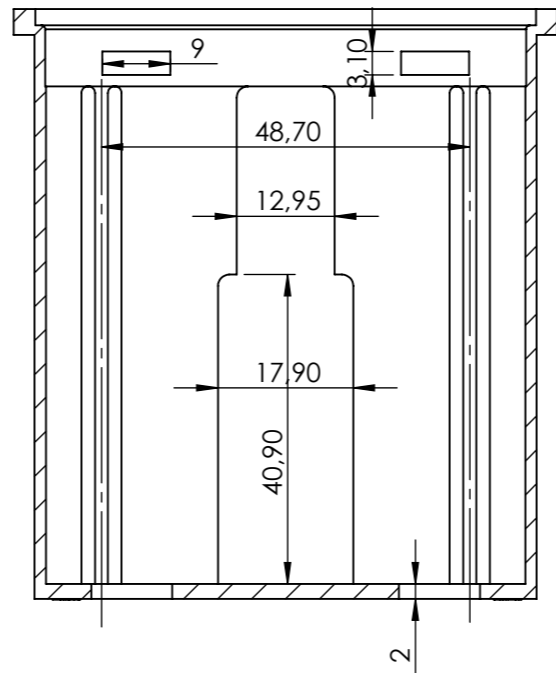
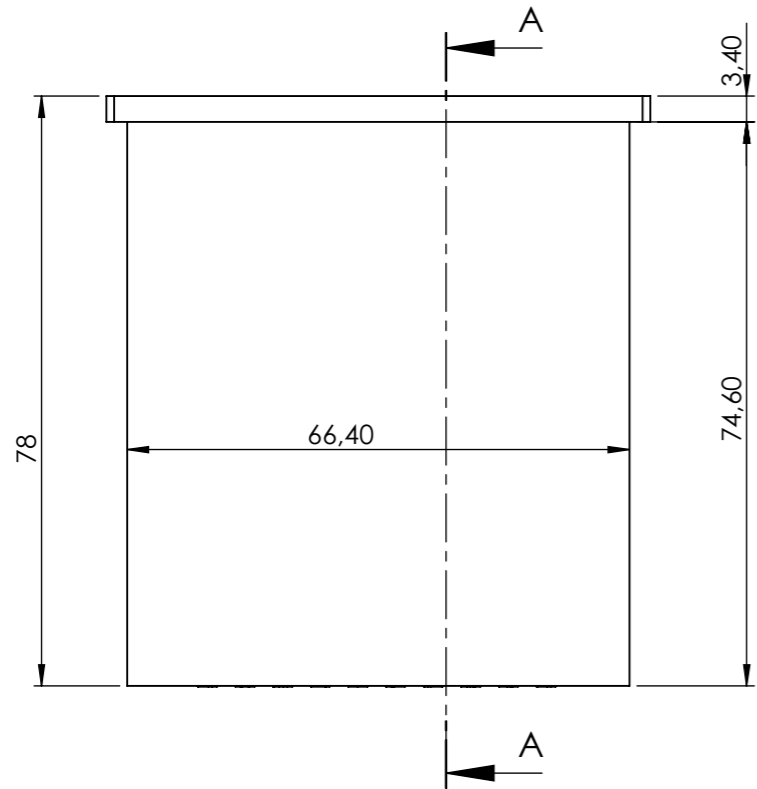
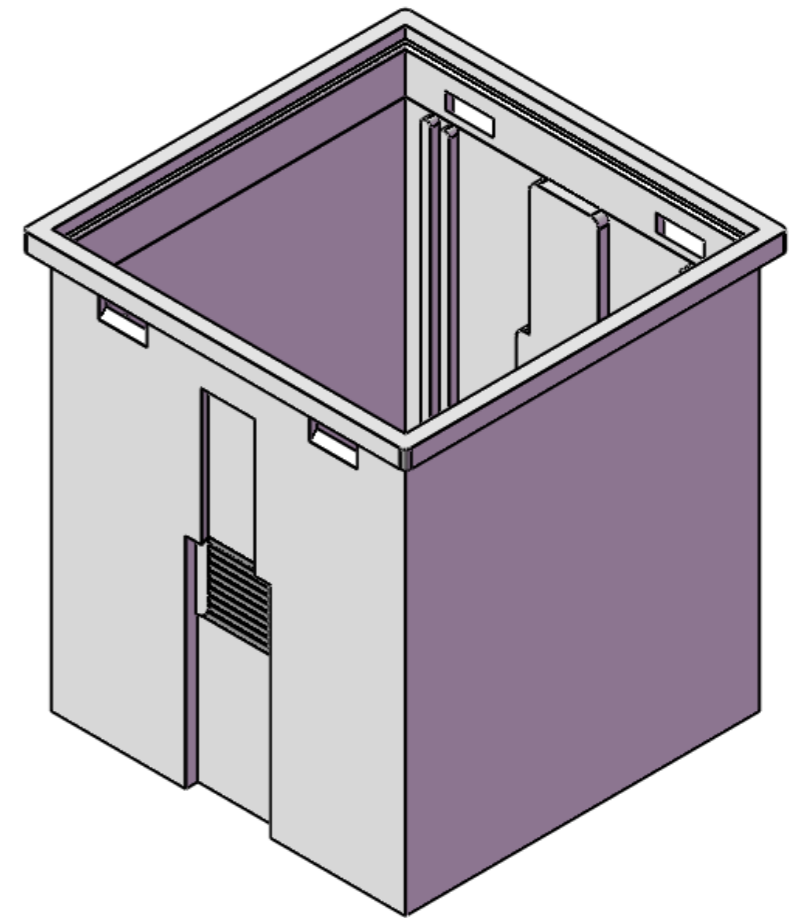
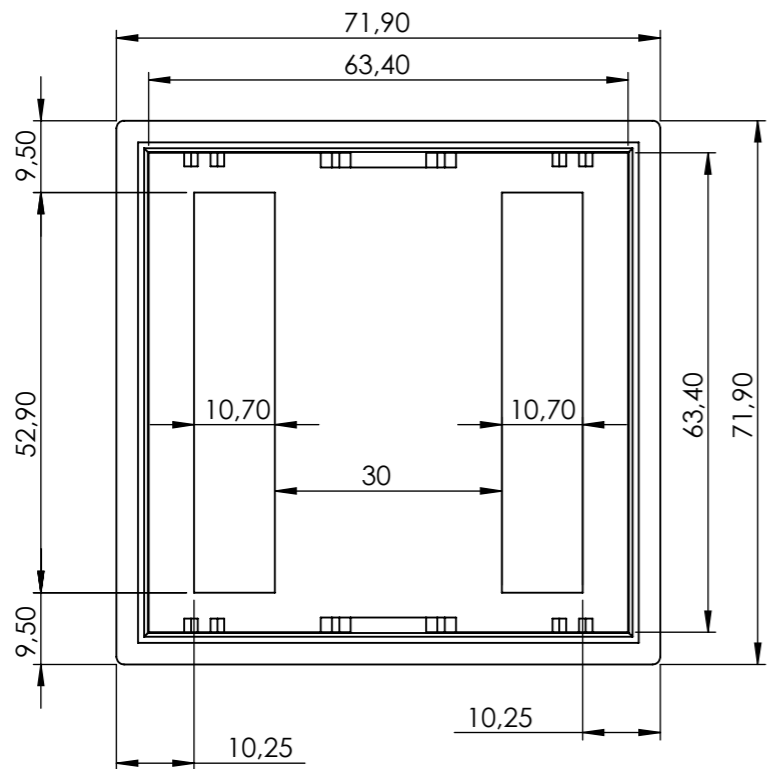



	NAME	DATE	ARTICLE NO:	REVISION	TITLE:
DRAWN	Dursun CAN			:	
CHECKED	Ali Altınışık		COMMENTS:		
 www.altinkaya.com.tr			DIMENSIONS ARE IN MILLIMETERS. DEBUR AND BREAK SHARP EDGES		
PROPRIETARY AND CONFIDENTIAL <small>THE INFORMATION CONTAINED IN THIS DRAWING IS THE SOLE PROPERTY OF ALTINKAYA ENCLOSURES. ANY REPRODUCTION IN PART OR AS A WHOLE WITHOUT THE WRITTEN PERMISSION OF ALTINKAYA ENCLOSURES IS PROHIBITED.</small>			DWG NO. PT-190-01-Assembly		A4
MATERIAL:			WEIGHT:		SCALE:1:5 SHEET 1 OF 1

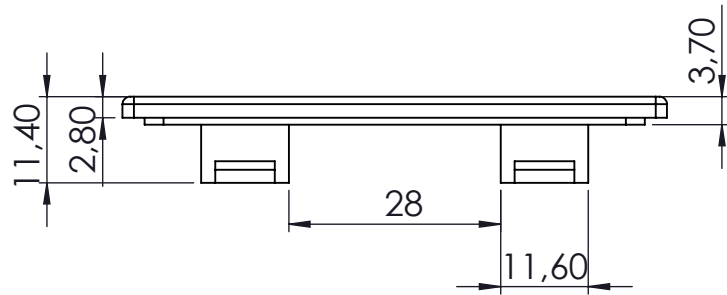
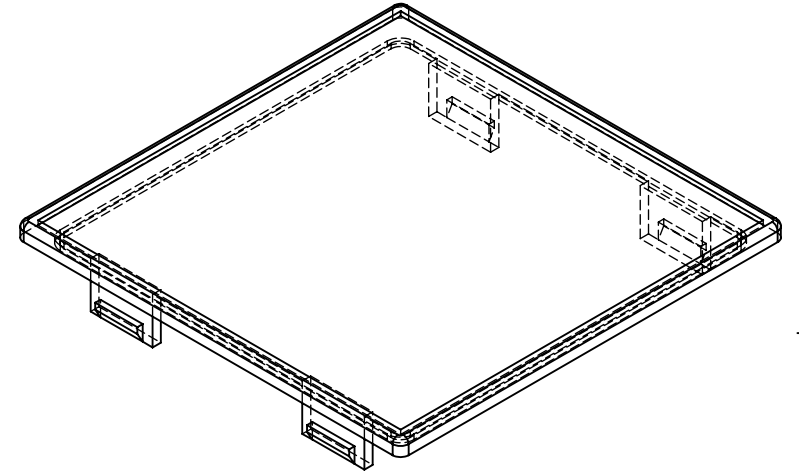
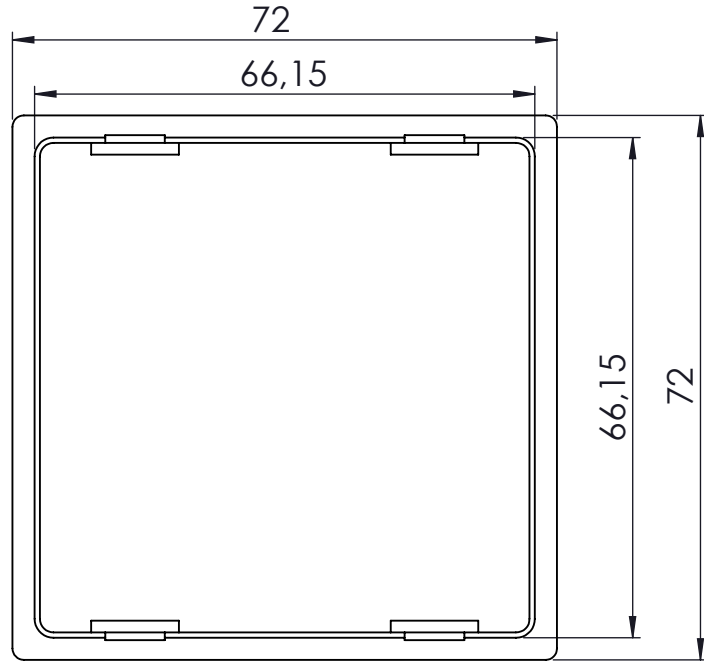





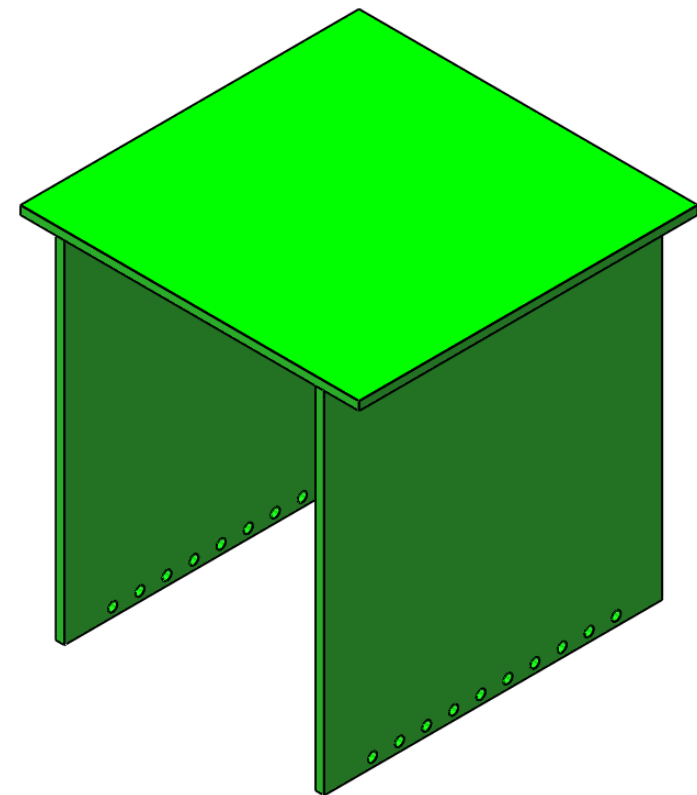
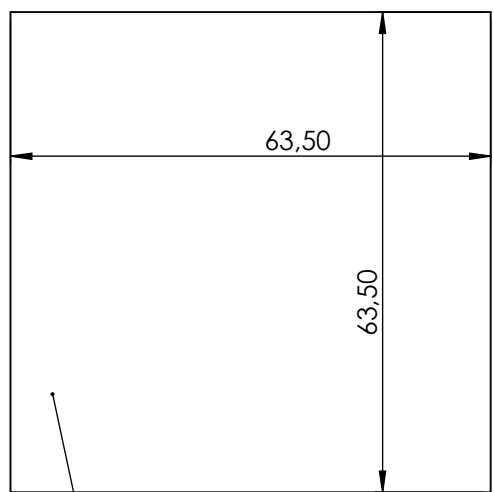
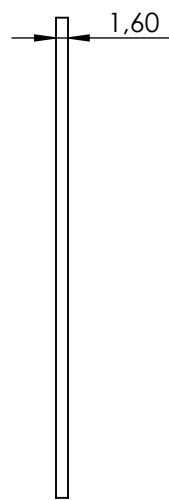
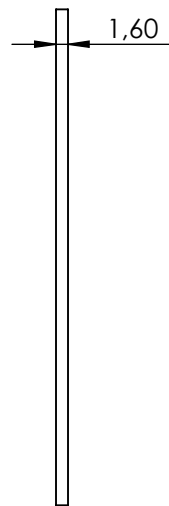
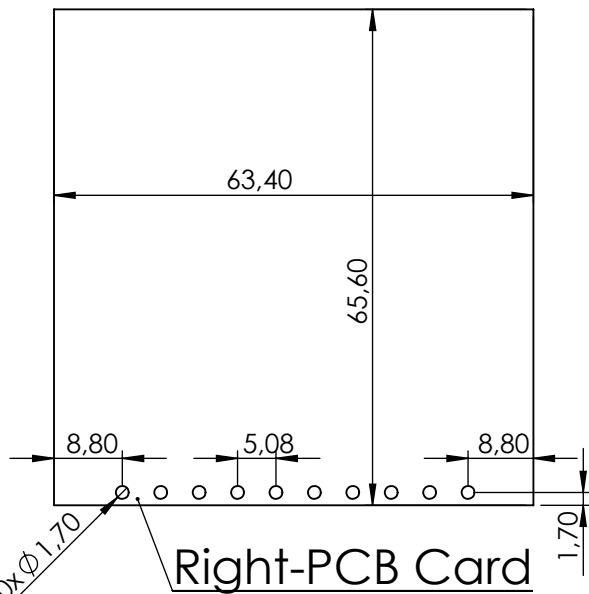
SECTION A-A
SCALE 1 : 1




<small>PROPRIETARY AND CONFIDENTIAL THE INFORMATION CONTAINED IN THIS DRAWING IS THE SOLE PROPERTY OF ALTINKAYA ENCLOSURES. ANY REPRODUCTION IN PART OR AS A WHOLE WITHOUT THE WRITTEN PERMISSION OF ALTINKAYA ENCLOSURES IS PROHIBITED.</small>		ARTICLE NO.:	REVISION:
<small>DRAWN</small> Dursun CAN		 CONTACT: www.altinkaya.com.tr	TITLE:
<small>CHECKED</small> Ali Altınışık			
<small>COMMENTS:</small>		<small>DWG NO.</small> PT-190-body	<small>A3</small>
<small>MATERIAL:</small>			
<small>WEIGHT:</small>		<small>SCALE:</small> 1:2	<small>SHEET</small> 1 OF 1



	NAME	DATE	ARTICLE NO:	REVISION	TITLE:		
DRAWN	Dursun CAN			:	PT-190 Üst Kapak		
CHECKED	Ali Altınışık		COMMENTS:			DWG NO.	PT-190-01-Cover
 ALTINKAYA ENCLOSURES FOR ELECTRONICS www.altinkaya.com.tr			DIMENSIONS ARE IN MILLIMETERS. DEBUR AND BREAK SHARP EDGES				
PROPRIETARY AND CONFIDENTIAL THE INFORMATION CONTAINED IN THIS DRAWING IS THE SOLE PROPERTY OF ALTINKAYA ENCLOSURES. ANY REPRODUCTION IN PART OR AS A WHOLE WITHOUT THE WRITTEN PERMISSION OF ALTINKAYA ENCLOSURES IS PROHIBITED.			MATERIAL:		WEIGHT:	SCALE:1:1	SHEET 1 OF 1



	NAME	DATE	ARTICLE NO:	REVISION	TITLE:
DRAWN	Dursun CAN			:	
CHECKED	Ali Altınışık		COMMENTS:		
 ALTINKAYA ENCLOSURES FOR ELECTRONICS www.altinkaya.com.tr			DIMENSIONS ARE IN MILLIMETERS. DEBUR AND BREAK SHARP EDGES		
PROPRIETARY AND CONFIDENTIAL THE INFORMATION CONTAINED IN THIS DRAWING IS THE SOLE PROPERTY OF ALTINKAYA ENCLOSURES. ANY REPRODUCTION IN PART OR AS A WHOLE WITHOUT THE WRITTEN PERMISSION OF ALTINKAYA ENCLOSURES IS PROHIBITED.			MATERIAL:		DWG NO. PT-190-PCB
			WEIGHT:		SCALE:1:1

SHEET 1 OF 1		A4	
--------------	--	----	--