

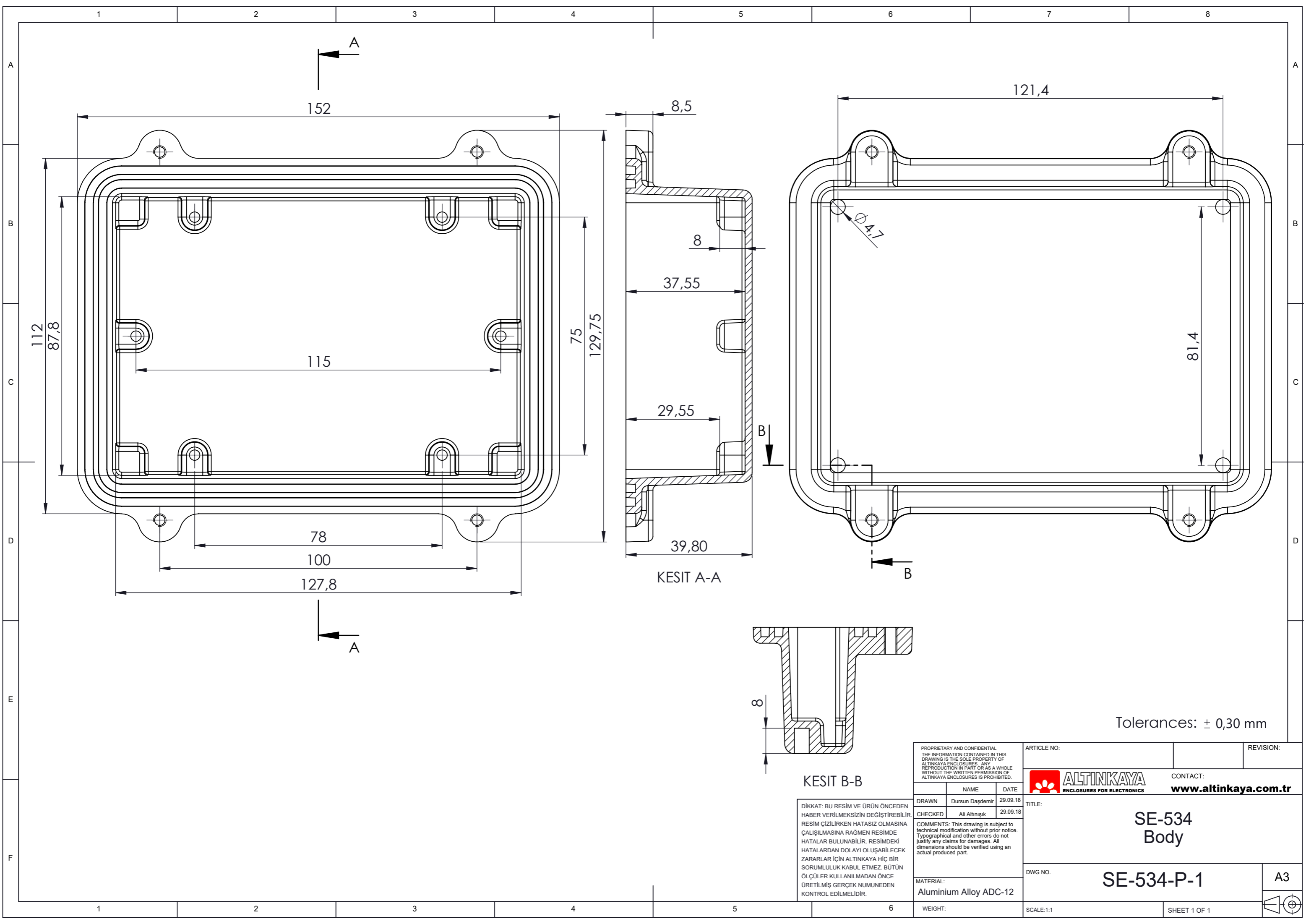
KESIT A-A

KESIT B-B

Tolerances: $\pm 0,30$ mm

DİKKAT: BU RESİM VE ÜRÜN ÖNCEDEN HABER VERİLMEKSİZİN DEĞİŞTİREBİLİR. RESİM ÇİZİLİRKEN HATASIZ OLMASINA ÇALIŞILMASINA RAĞMEN RESİMDEKİ HATALARDAN DOLAYI OLUŞABİLECEK ZARARLAR İÇİN ALTINKAYA HiÇ BİR SORUMLULUK KABUL ETMEZ. BÜTÜN ÖLÇÜLER KULLANILMADAN ÖNCE ÜRETİLMİŞ GERÇEK NUMUNEDEN KONTROL EDİLMELİDİR.

<small>PROPRIETARY AND CONFIDENTIAL. THE INFORMATION CONTAINED IN THIS DRAWING IS THE SOLE PROPERTY OF ALTINKAYA ENCLOSURES. ANY REPRODUCTION IN PART OR AS A WHOLE WITHOUT THE WRITTEN PERMISSION OF ALTINKAYA ENCLOSURES IS PROHIBITED.</small>			ARTICLE NO:	REVISION:
<small>ALTINKAYA ENCLOSURES FOR ELECTRONICS</small>			<small>CONTACT: www.altinkaya.com.tr</small>	
DRAWN	Dursun Daşdemir	29.09.18	TITLE:	
CHECKED	Ali Altınışık	29.09.18	SE-534 IP-67 Aluminium Enclosure	
<small>COMMENTS: This drawing is subject to technical modification without prior notice. Typographical and other errors do not justify any claims for damages. All dimensions should be verified using an actual produced part.</small>			DWG NO.	A3
MATERIAL:			SE-534-0-0	
Aluminium Alloy ADC-12			SCALE:1:1	
WEIGHT:			SHEET 1 OF 1	



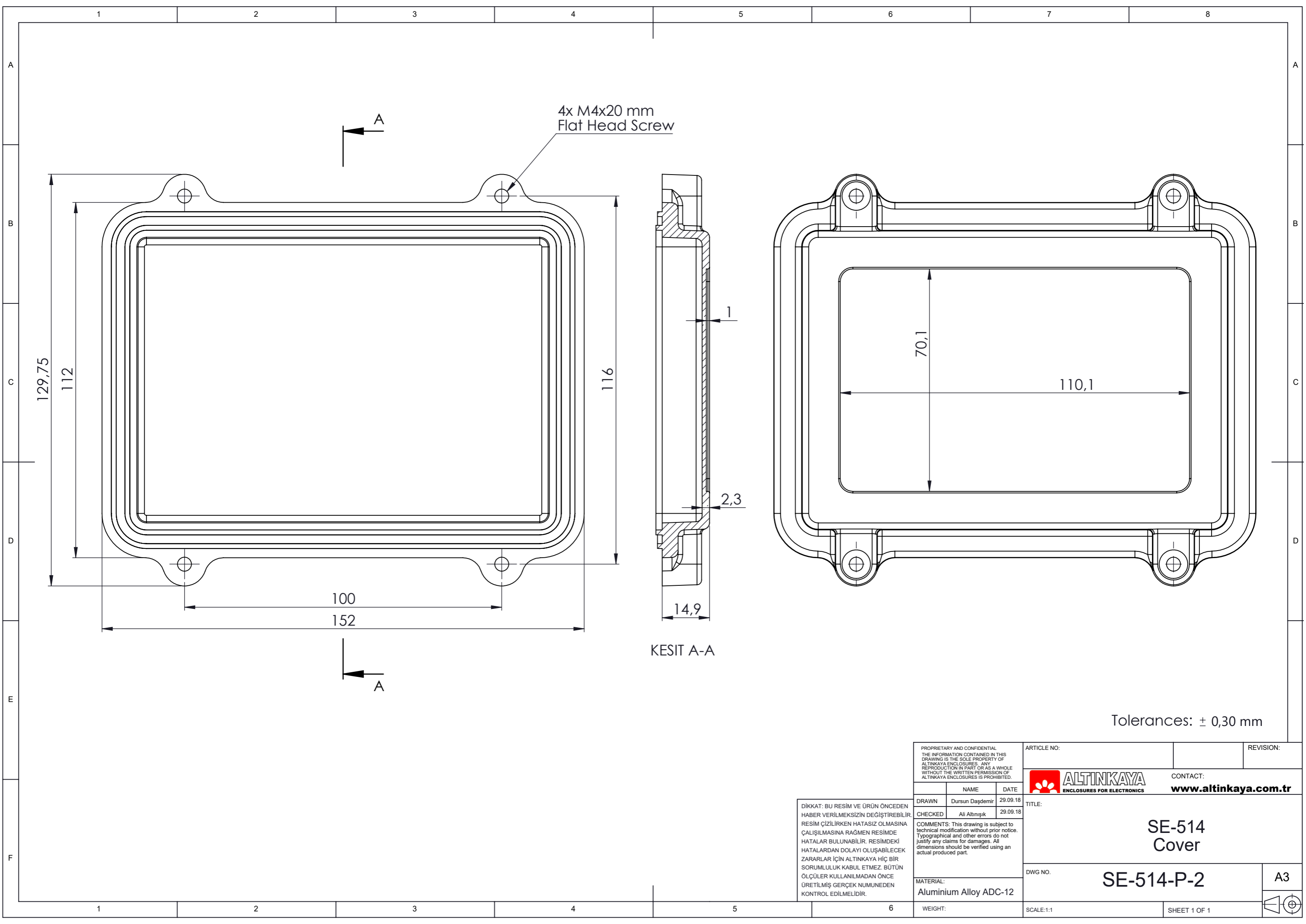
Tolerances: $\pm 0,30$ mm

PROPRIETARY AND CONFIDENTIAL THE INFORMATION CONTAINED IN THIS DRAWING IS THE SOLE PROPERTY OF ALTINKAYA ENCLOSURES. ANY REPRODUCTION IN PART OR AS A WHOLE WITHOUT THE WRITTEN PERMISSION OF ALTINKAYA ENCLOSURES IS PROHIBITED.			ARTICLE NO:	REVISION:
DRAWN: Dursun Daşdemir CHECKED: Ali Altınışık			CONTACT: www.altinkaya.com.tr	TITLE:
COMMENTS: This drawing is subject to technical modification without prior notice. Typographical and other errors do not justify any claims for damages. All dimensions should be verified using an actual produced part.			SE-534 Body	
MATERIAL: Aluminium Alloy ADC-12			DWG NO:	A3
WEIGHT:			SCALE:1:1	SHEET 1 OF 1

DİKKAT: BU RESİM VE ÜRÜN ÖNCEDEN
 HABER VERİLMEKSİZİN DEĞİŞTİREBİLİR
 RESİM ÇİZİLİRKEN HATASIZ OLMASINA
 ÇALIŞILMASINA RAĞMEN RESİMDE
 HATALAR BULUNABİLİR. RESİMDEKİ
 HATALARDAN DOLAYI OLUŞABİLECEK
 ZARARLAR İÇİN ALTINKAYA HiÇ BİR
 SORUMLULUK KABUL ETMEZ. BÜTÜN
 ÖLÇÜLER KULLANILMADAN ÖNCE
 ÜRETİLMİŞ GERÇEK NUMUNEDEN
 KONTROL EDİLMELİDİR.

KESIT B-B

KESIT A-A



DİKKAT: BU RESİM VE ÜRÜN ÖNCEDEN HABER VERİLMEKSİZİN DEĞİŞTİREBİLİR. RESİM ÇİZİLİRKEN HATASIZ OLMASINA ÇALIŞILMASINA RAĞMEN RESİMDE HATALAR BULUNABİLİR. RESİMDEKİ HATALARDAN DOLAYI OLUŞABİLECEK ZARARLAR İÇİN ALTINKAYA HiÇ BİR SORUMLULUK KABUL ETMEZ. BÜTÜN ÖLÇÜLER KULLANILMADAN ÖNCE ÜRETİLMİŞ GERÇEK NUMUNEDEN KONTROL EDİLMELİDİR.

PROPRIETARY AND CONFIDENTIAL. THE INFORMATION CONTAINED IN THIS DRAWING IS THE SOLE PROPERTY OF ALTINKAYA ENCLOSURES. ANY REPRODUCTION IN PART OR AS A WHOLE WITHOUT THE WRITTEN PERMISSION OF ALTINKAYA ENCLOSURES IS PROHIBITED.			ARTICLE NO:	REVISION:
DRAWN: Dursun Daşdemir, 29.09.18 CHECKED: Ali Altınışık, 29.09.18			CONTACT: www.altinkaya.com.tr	
COMMENTS: This drawing is subject to technical modification without prior notice. Typographical and other errors do not justify any claims for damages. All dimensions should be verified using an actual produced part.			TITLE: SE-514 Cover	
MATERIAL: Aluminium Alloy ADC-12			DWG NO:	A3
WEIGHT:			SCALE:1:1	SHEET 1 OF 1