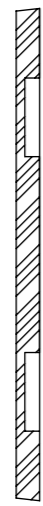
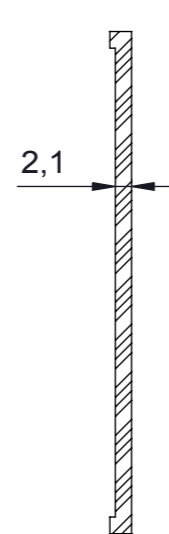
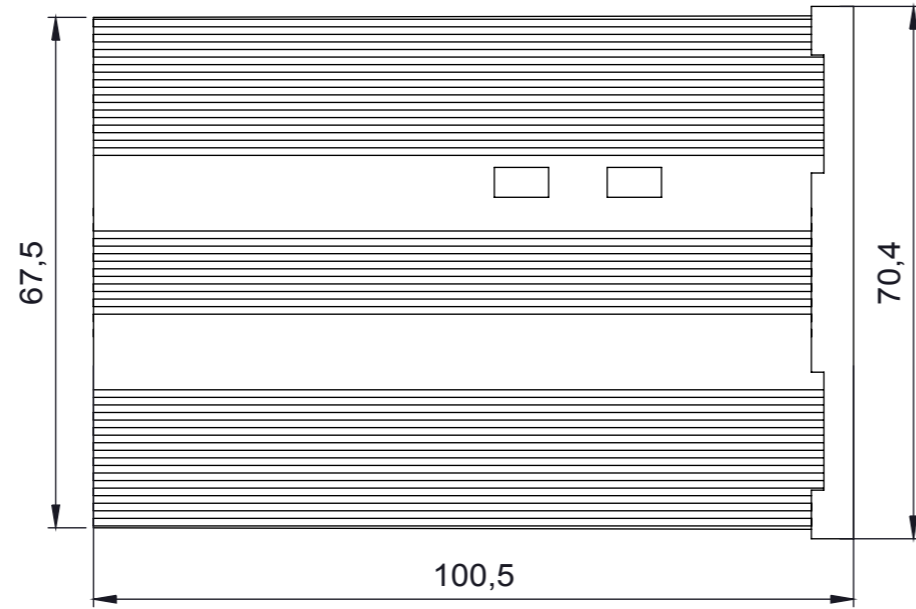


Terminalli Kapak



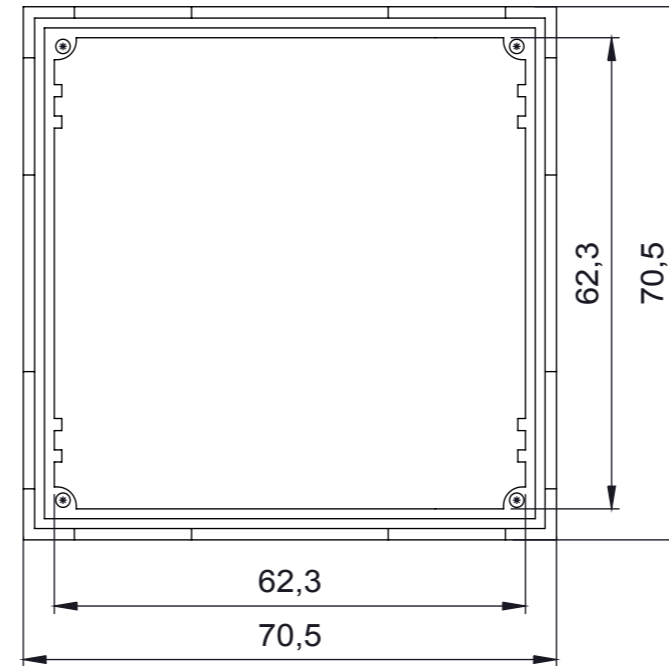
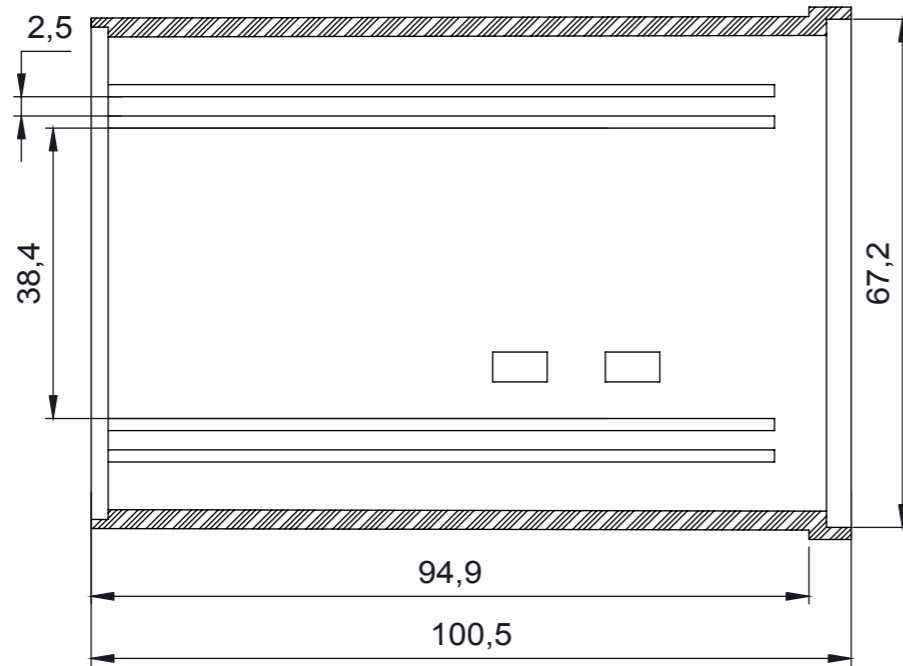
Düz Kapak



Panel



Çerçeve



PROPRIETARY AND CONFIDENTIAL  
THE INFORMATION CONTAINED IN THIS DRAWING IS  
THE SOLE PROPERTY OF ALTINKAYA ENCLOSURES.  
ANY REPRODUCTION IN PART OR AS A WHOLE  
WITHOUT THE WRITTEN PERMISSION OF ALTINKAYA  
ENCLOSURES IS PROHIBITED.

	NAME	DATE
DRAWN	Dursun Daşdemir	01.08.08
CHECKED	Ali Altınışık	01.08.08

COMMENTS:  
DIMENSIONS ARE IN MILIMETRES,  
DEBUR AND BREAK SHARP EDGES

MATERIAL:

WEIGHT:

ARTICLE NO:



ENCLOSURES FOR ELECTRONICS

CONTACT:  
www.altinkaya.com.tr

TITLE:

PT-200 Panel Tipi Kutu

DWG NO:

SCALE: 1:1

SHEET 1 OF 1

A3

