
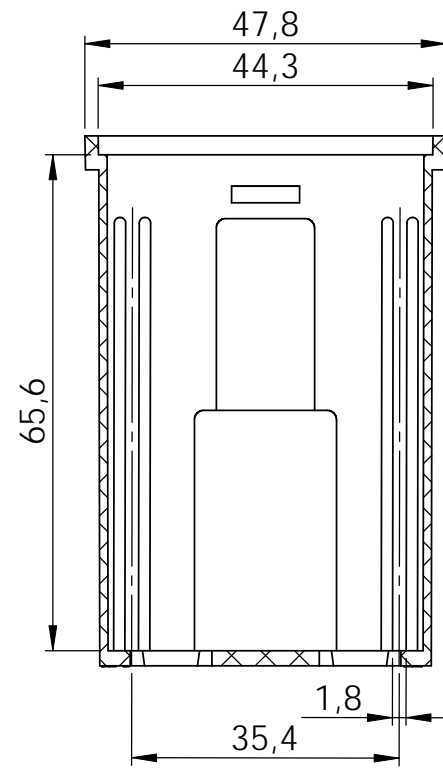
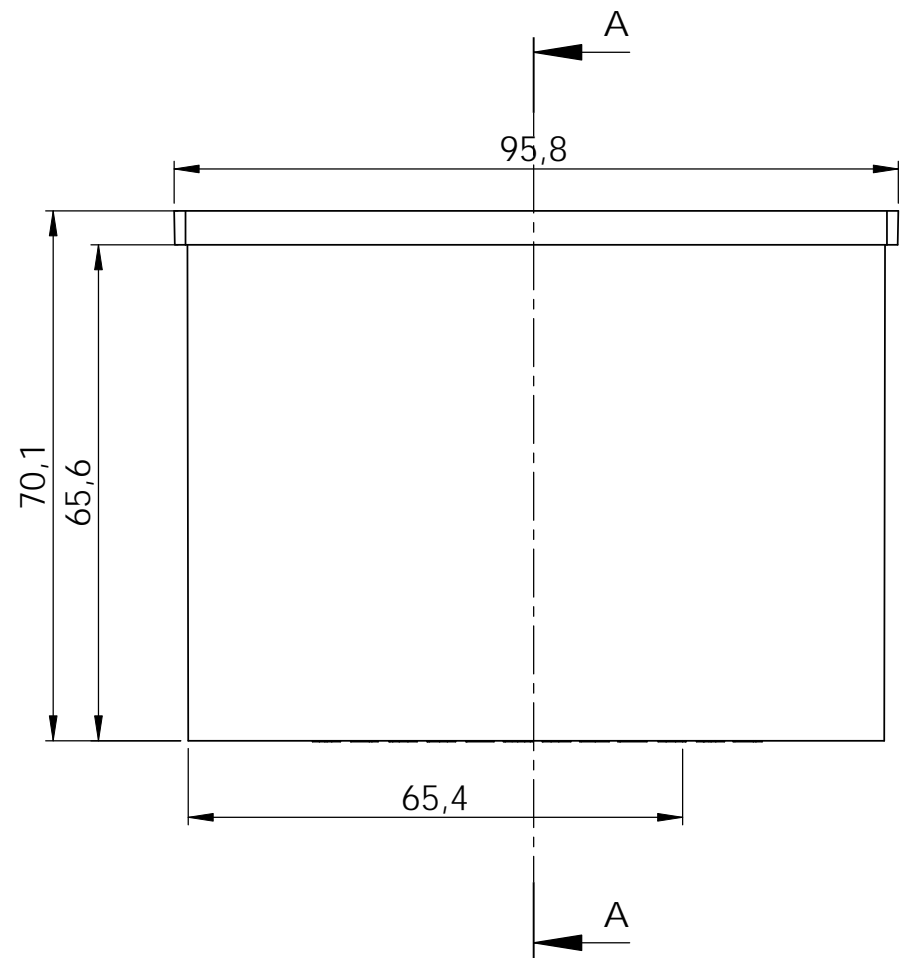
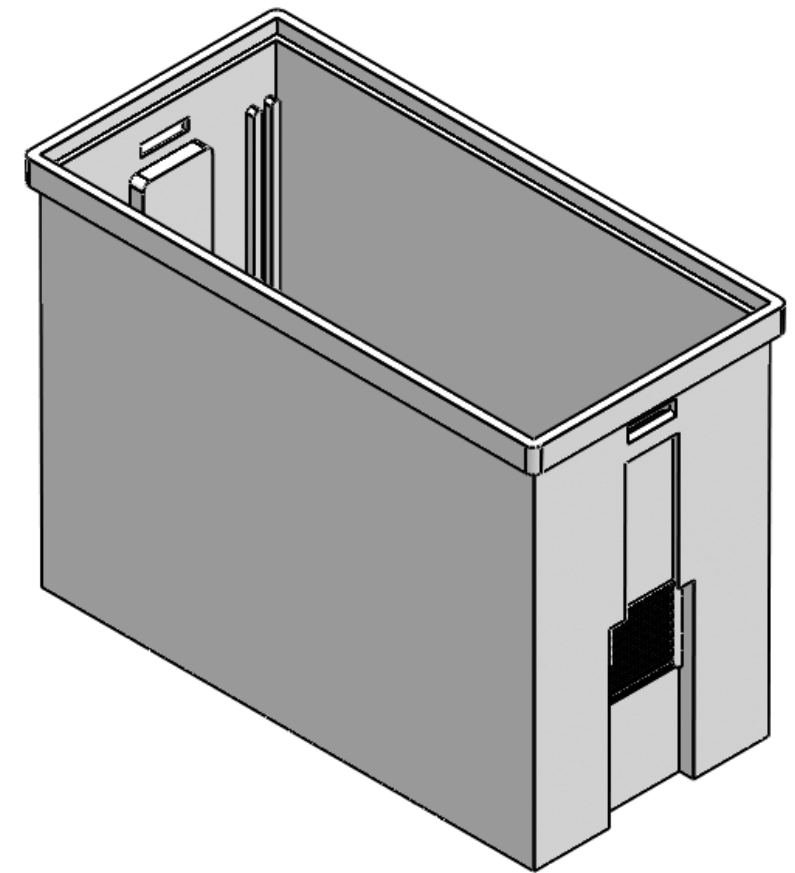
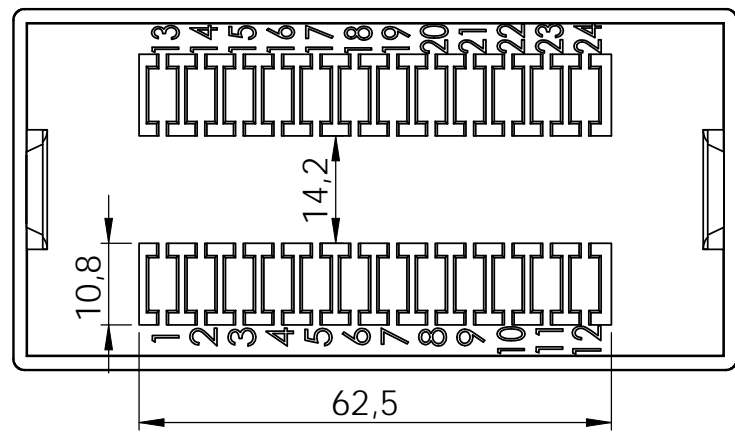
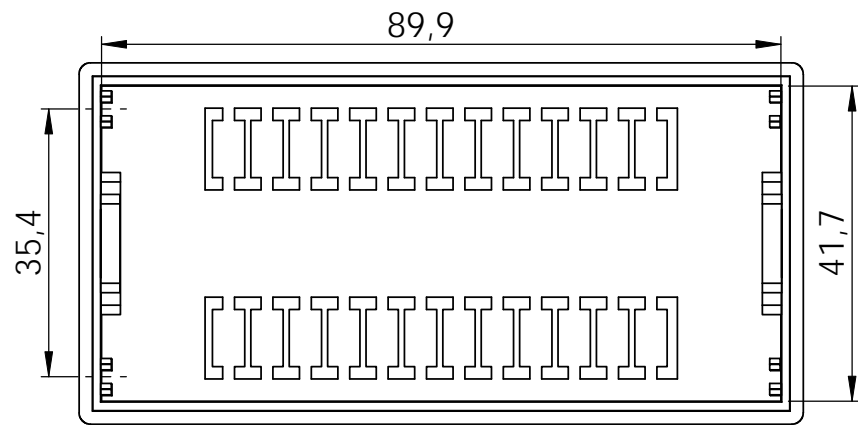



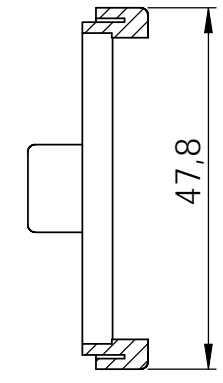
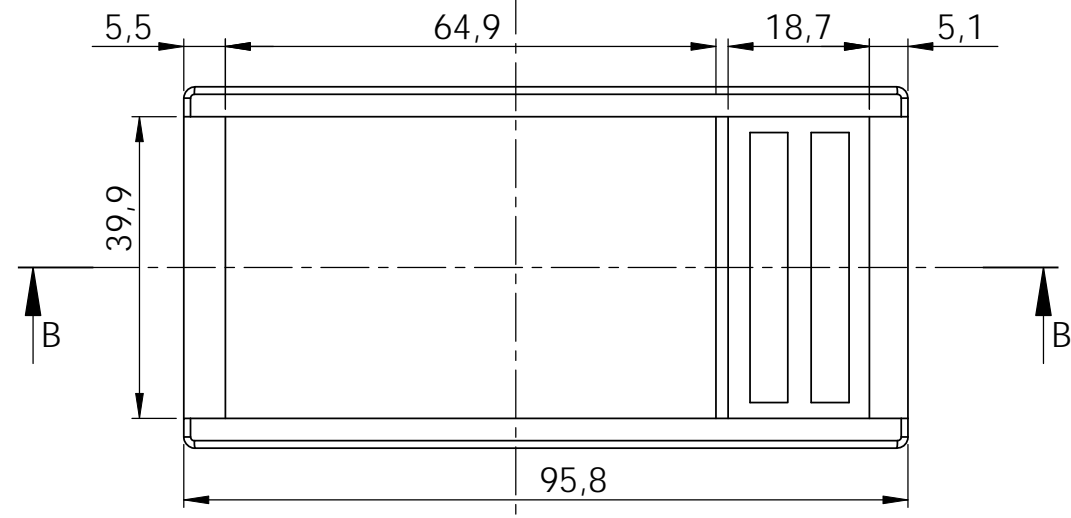
<small>PROPRIETARY AND CONFIDENTIAL. THE INFORMATION CONTAINED IN THIS DRAWING IS THE SOLE PROPERTY OF ALTINKAYA ENCLOSURES. ANY REPRODUCTION IN PART OR AS A WHOLE WITHOUT THE WRITTEN PERMISSION OF ALTINKAYA ENCLOSURES IS PROHIBITED.</small>			ARTICLE NO.:	REVISION:
<small>DRAWN</small> Dursun Daşdemir				CONTACT: www.altinkaya.com.tr
<small>CHECKED</small> Ali Altınışık				TITLE:
COMMENTS:			DWG NO. PT-165-0-0-G-0	A3
MATERIAL:			SCALE:1:1	SHEET 1 OF 3
WEIGHT:				



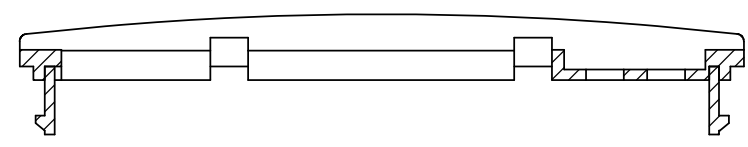
KESIT A-A



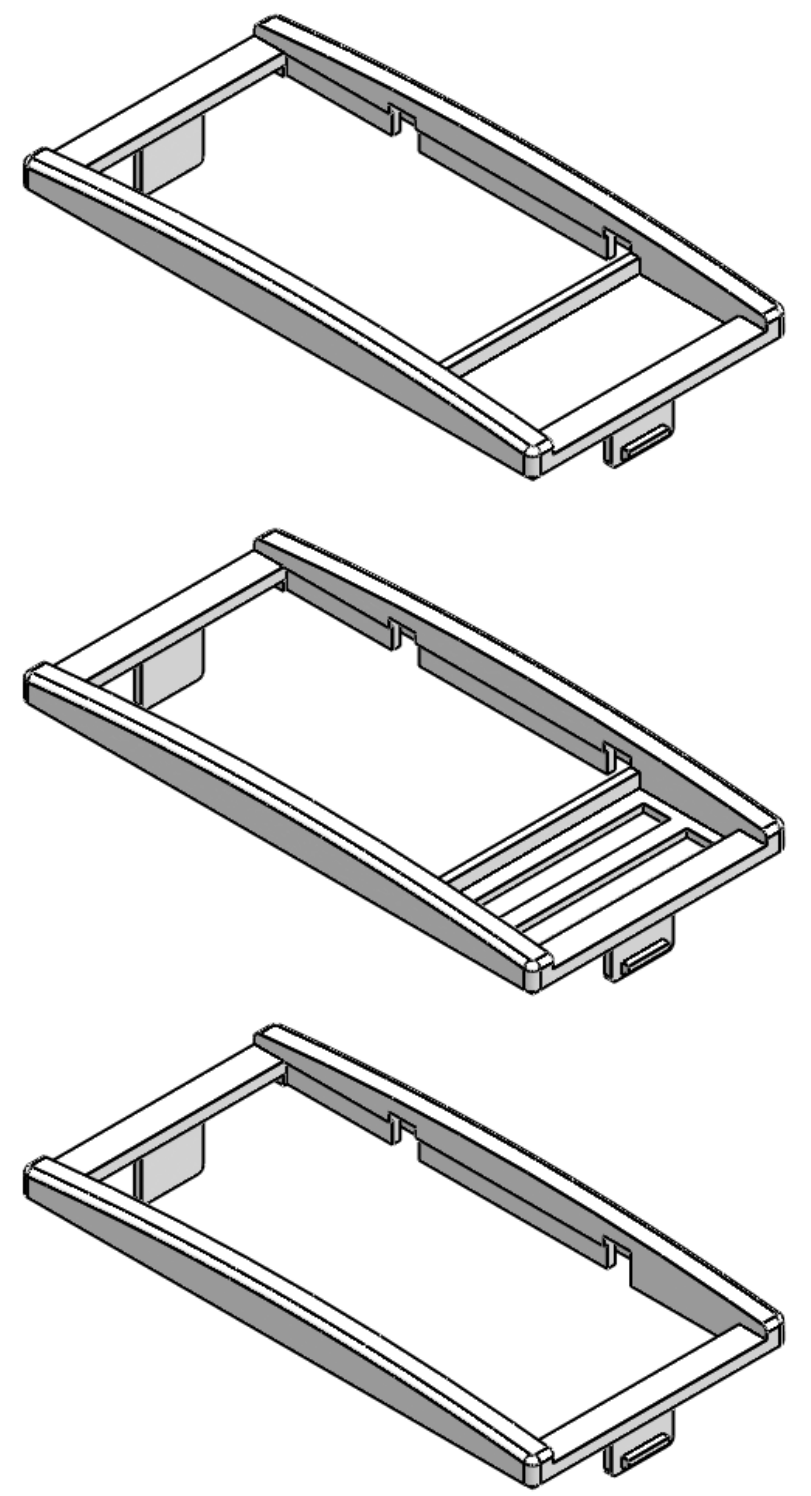
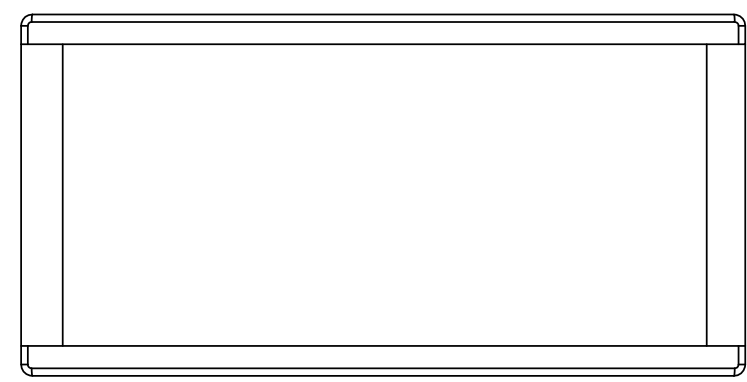
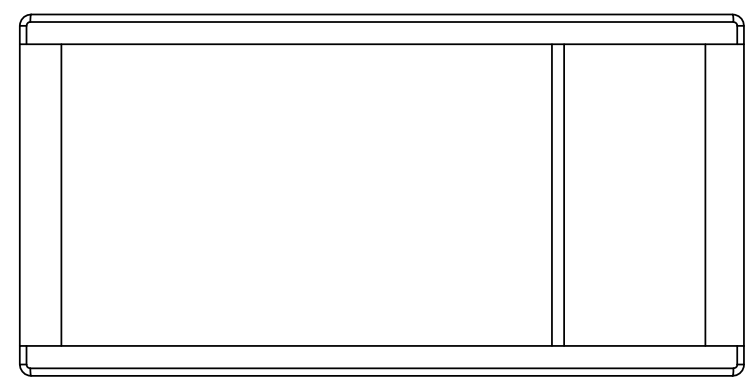
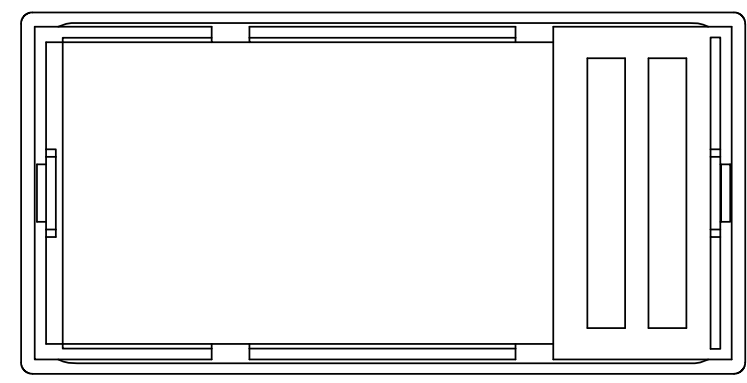
<small>PROPRIETARY AND CONFIDENTIAL. THE INFORMATION CONTAINED IN THIS DRAWING IS THE SOLE PROPERTY OF ALTINKAYA ENCLOSURES. ANY REPRODUCTION IN PART OR AS A WHOLE WITHOUT THE WRITTEN PERMISSION OF ALTINKAYA ENCLOSURES IS PROHIBITED.</small>		ARTICLE NO.:	REVISION:
<small>DRAWN</small> Dursun Daşdemir <small>CHECKED</small> Ali Altınışık <small>COMMENTS:</small> <small>MATERIAL:</small> <small>WEIGHT:</small>		 <small>ENCLOSURES FOR ELECTRONICS</small>	<small>CONTACT:</small> www.altinkaya.com.tr
		TITLE:	
		DWG NO. PT-165_Govde	A3
		SCALE:1:1	SHEET 1 OF 1



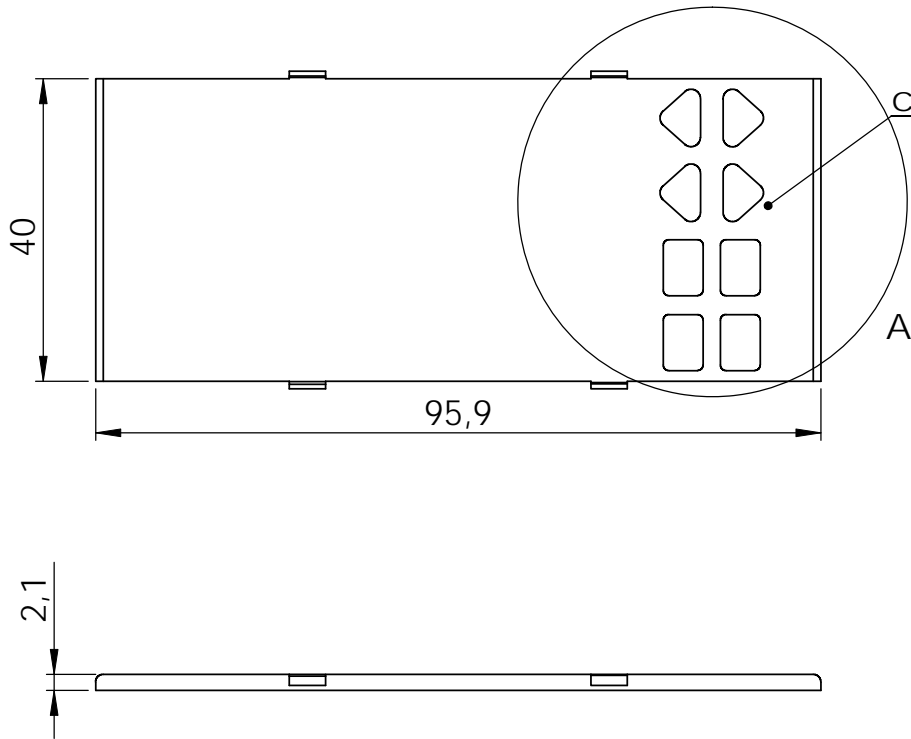
KESIT A-A



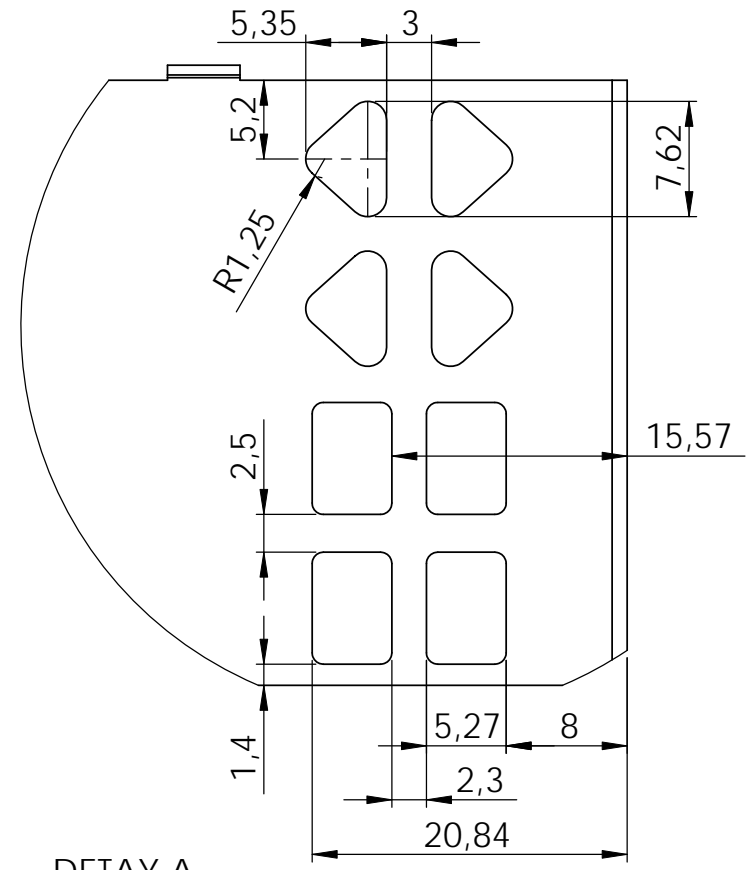
KESIT B-B




<small>PROPRIETARY AND CONFIDENTIAL. THE INFORMATION CONTAINED IN THIS DRAWING IS THE SOLE PROPERTY OF ALTINKAYA ENCLOSURES. ANY REPRODUCTION IN PART OR AS A WHOLE WITHOUT THE WRITTEN PERMISSION OF ALTINKAYA ENCLOSURES IS PROHIBITED.</small>		ARTICLE NO:	REVISION:						
<table border="1"> <tr> <th>NAME</th> <th>DATE</th> </tr> <tr> <td>Dursun Daşdemir</td> <td></td> </tr> <tr> <td>Ali Altınışık</td> <td></td> </tr> </table>		NAME	DATE	Dursun Daşdemir		Ali Altınışık			CONTACT: www.altinkaya.com.tr
NAME	DATE								
Dursun Daşdemir									
Ali Altınışık									
COMMENTS:		TITLE:							
MATERIAL:		DWG NO. PT-165_cerceve3	A3						
WEIGHT:		SCALE:1:1	SHEET 1 OF 1						

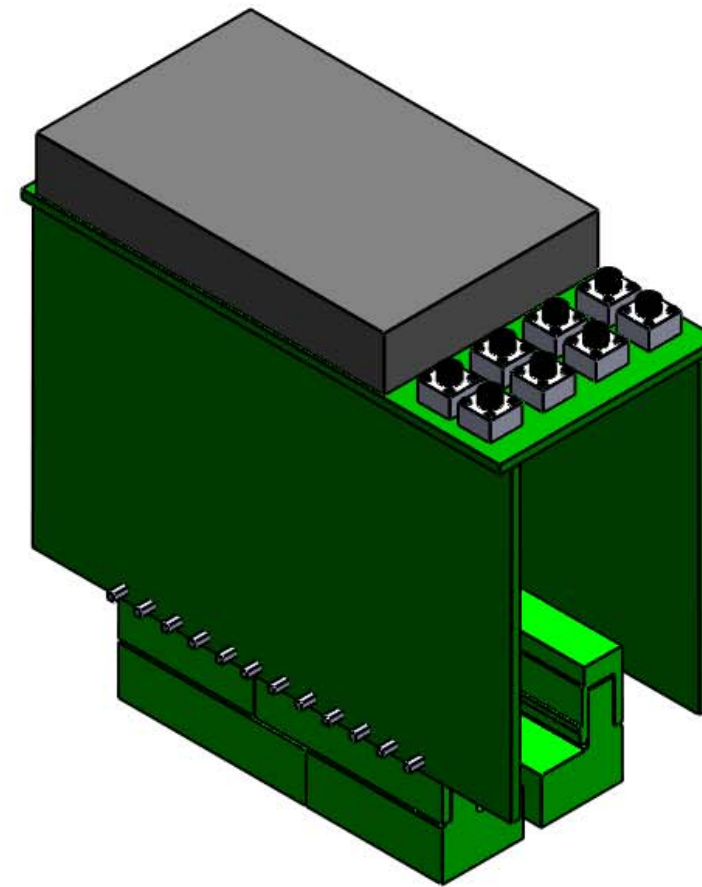
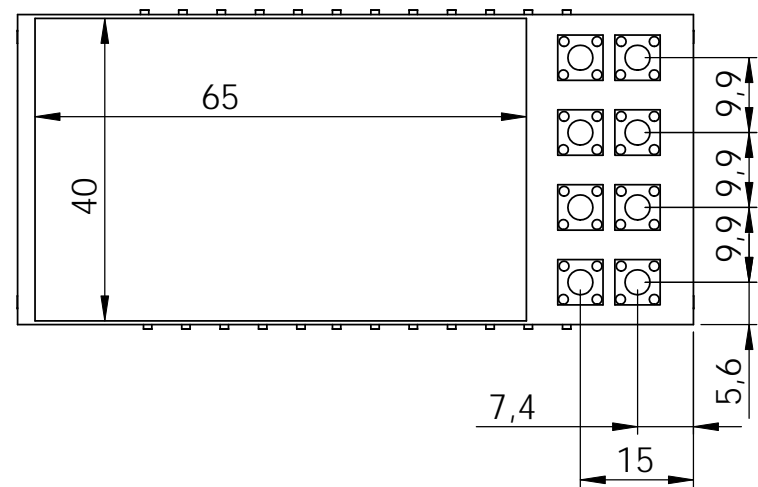
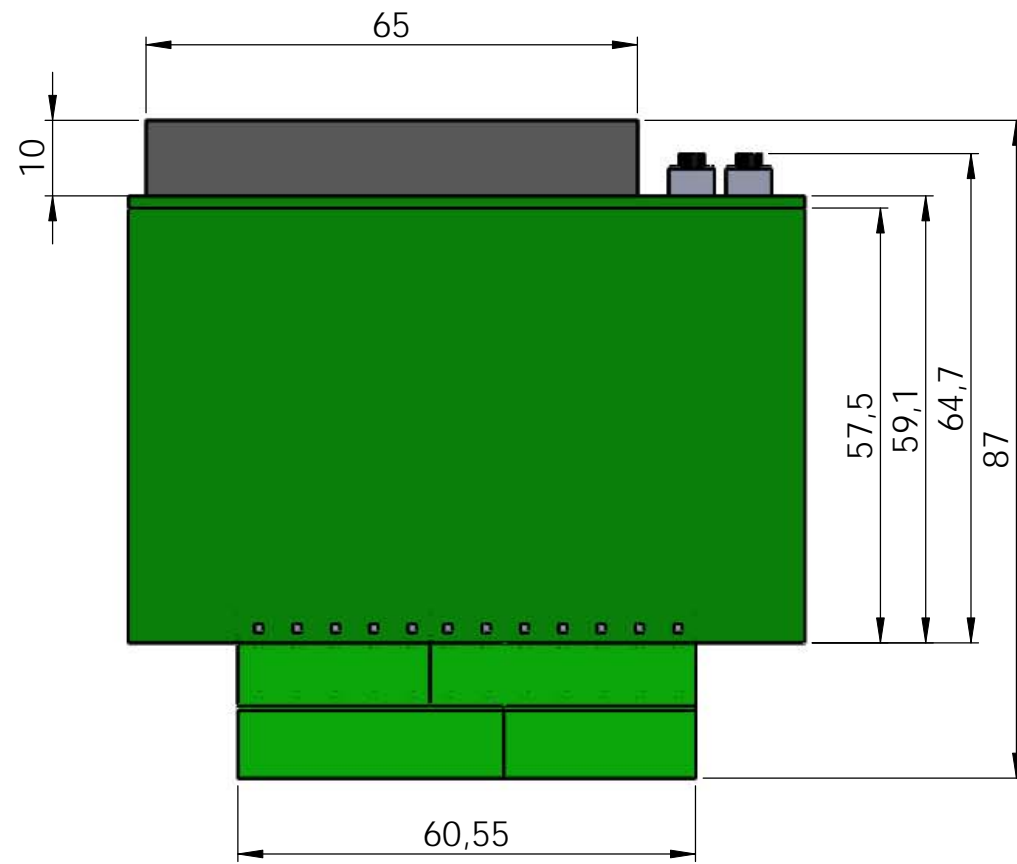




custom button holes based on your design

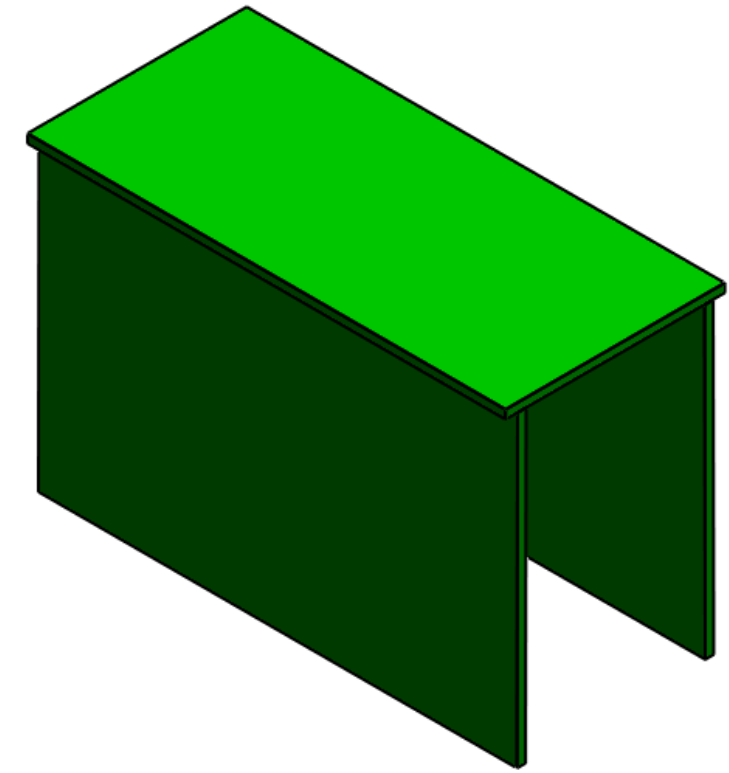
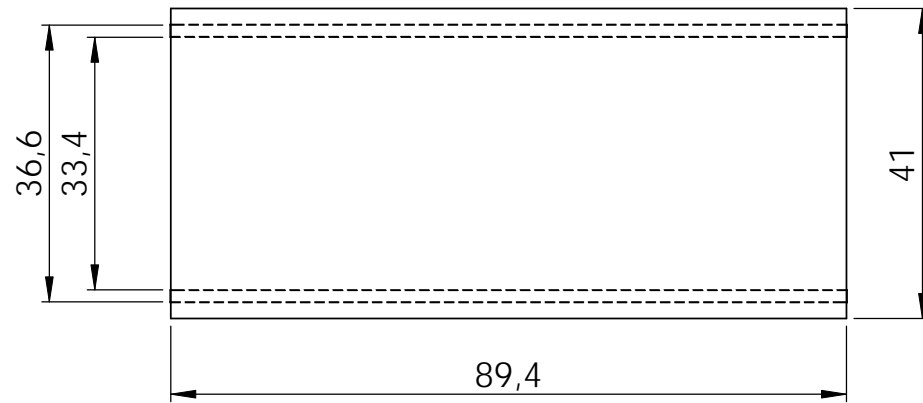
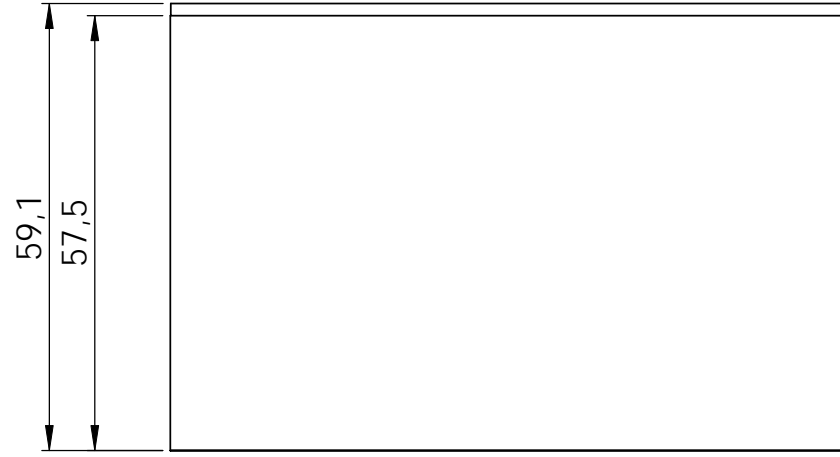



DETAY A
ÖLÇEK 2 : 1

	NAME	DATE	ARTICLE NO:	REVISION:	TITLE:
DRAWN	Dursun Daşdemir				
CHECKED	Ali Altınışık		COMMENTS: DIMENSIONS ARE IN MILLIMETERS, DEBUR AND BREAK SHARP EDGES		
 ENCLOSURES FOR ELECTRONICS www.altinkaya.com.tr			DWG NO.		A4
PROPRIETARY AND CONFIDENTIAL THE INFORMATION CONTAINED IN THIS DRAWING IS THE SOLE PROPERTY OF ALTINKAYA ENCLOSURES. ANY REPRODUCTION IN PART OR AS A WHOLE WITHOUT THE WRITTEN PERMISSION OF ALTINKAYA ENCLOSURES IS PROHIBITED.			PT-165_cam		
MATERIAL:			WEIGHT:	SCALE:1:1	SHEET 1 OF 1



<small>PROPRIETARY AND CONFIDENTIAL THE INFORMATION CONTAINED IN THIS DRAWING IS THE SOLE PROPERTY OF ALTINKAYA ENCLOSURES. ANY REPRODUCTION IN PART OR AS A WHOLE WITHOUT THE WRITTEN PERMISSION OF ALTINKAYA ENCLOSURES IS PROHIBITED.</small>		ARTICLE NO.:	REVISION:
<small>DRAWN</small> Dursun Daşdemir		 <small>ENCLOSURES FOR ELECTRONICS</small>	<small>CONTACT:</small> www.altinkaya.com.tr
<small>CHECKED</small> Ali Altınışık		<small>TITLE:</small> PCB sample	
<small>COMMENTS:</small>		<small>DWG NO.</small> PT-165-0-0-G-0	<small>A3</small>
<small>MATERIAL:</small>		<small>SCALE:1:1</small>	<small>SHEET 2 OF 3</small>
<small>WEIGHT:</small>			



<small>PROPRIETARY AND CONFIDENTIAL. THE INFORMATION CONTAINED IN THIS DRAWING IS THE SOLE PROPERTY OF ALTINKAYA ENCLOSURES. ANY REPRODUCTION IN PART OR AS A WHOLE WITHOUT THE WRITTEN PERMISSION OF ALTINKAYA ENCLOSURES IS PROHIBITED.</small>			ARTICLE NO:	REVISION:														
<table border="1"> <tr> <th>NAME</th> <th>DATE</th> </tr> <tr> <td>Dursun Daşdemir</td> <td></td> </tr> <tr> <th>CHECKED</th> <th></th> </tr> <tr> <td>Ali Altınışık</td> <td></td> </tr> <tr> <th>COMMENTS:</th> <td></td> </tr> <tr> <th>MATERIAL:</th> <td></td> </tr> <tr> <th>WEIGHT:</th> <td></td> </tr> </table>			NAME	DATE	Dursun Daşdemir		CHECKED		Ali Altınışık		COMMENTS:		MATERIAL:		WEIGHT:		 ENCLOSURES FOR ELECTRONICS CONTACT: www.altinkaya.com.tr	TITLE:
NAME	DATE																	
Dursun Daşdemir																		
CHECKED																		
Ali Altınışık																		
COMMENTS:																		
MATERIAL:																		
WEIGHT:																		
			<h2>PCB sample</h2>															
			DWG NO.	A3														
			SCALE:1:1	SHEET 3 OF 3														