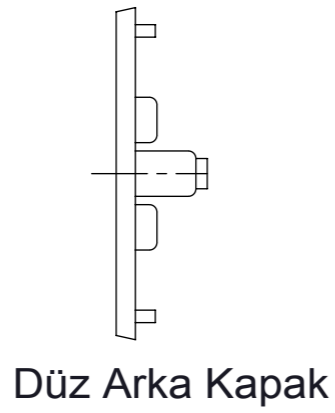
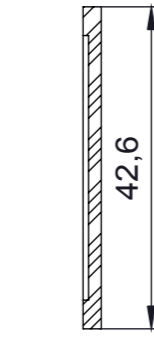
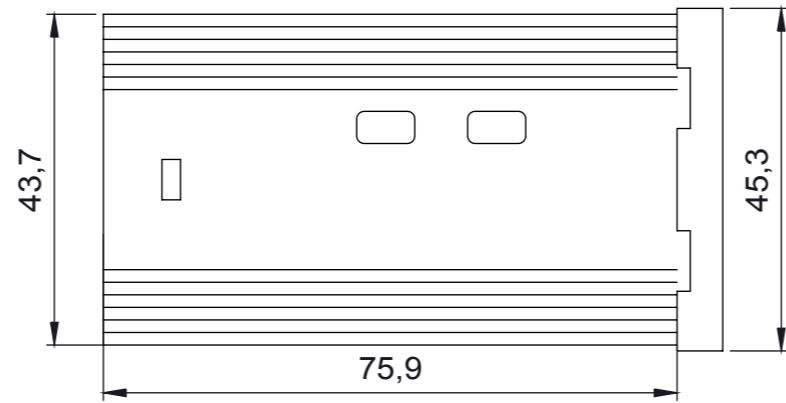


Pimli Arka Kapak



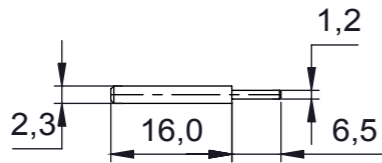
Düz Arka Kapak



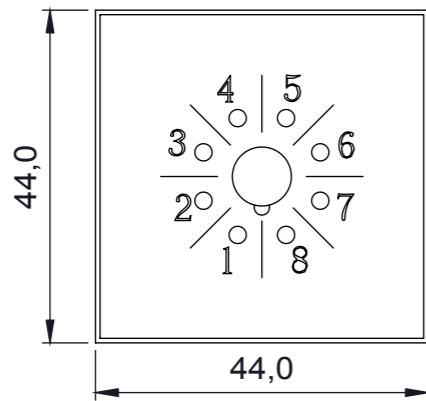
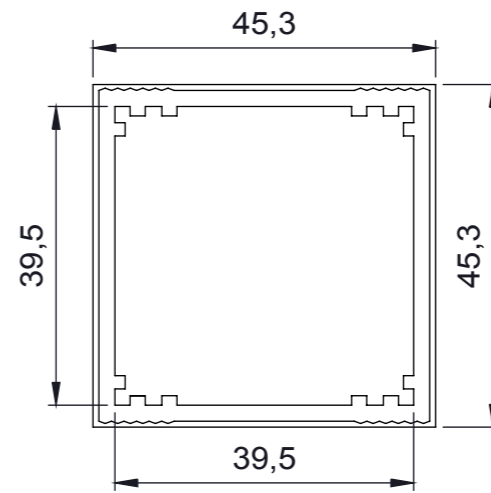
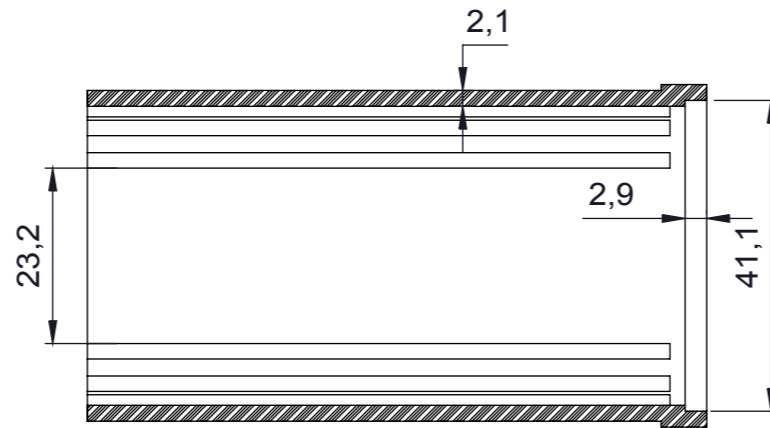
Panel



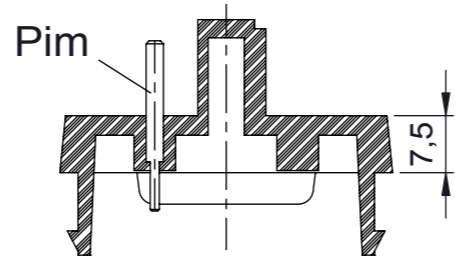
Çerçeve



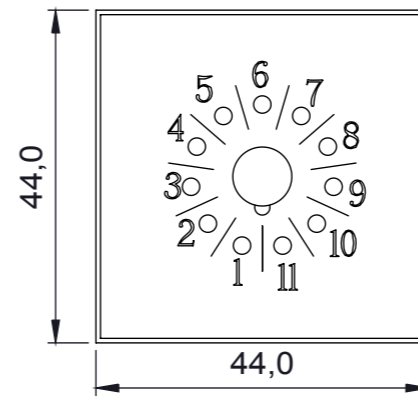
Pim



8 Pimli Kapak



Kesit



11 Pimli Kapak

PROPRIETARY AND CONFIDENTIAL  
THE INFORMATION CONTAINED IN THIS DRAWING IS  
THE SOLE PROPERTY OF ALTINKAYA ENCLOSURES.  
ANY REPRODUCTION IN PART OR AS A WHOLE  
WITHOUT THE WRITTEN PERMISSION OF ALTINKAYA  
ENCLOSURES IS PROHIBITED.

|         | NAME            | DATE     |
|---------|-----------------|----------|
| DRAWN   | Dursun Daşdemir | 01.08.08 |
| CHECKED | Ali Altınışık   | 01.08.08 |

COMMENTS:  
DIMENSIONS ARE IN MILLIMETRES,  
DEBUR AND BREAK SHARP EDGES

MATERIAL:

WEIGHT:

ARTICLE NO:

 **ALTINKAYA**  
ENCLOSURES FOR ELECTRONICS

CONTACT:  
www.altinkaya.com.tr

TITLE:

**PT-150 Panel Tipi Kutu**

DWG NO:

SCALE: 1:1

SHEET 1 OF 1

A3

