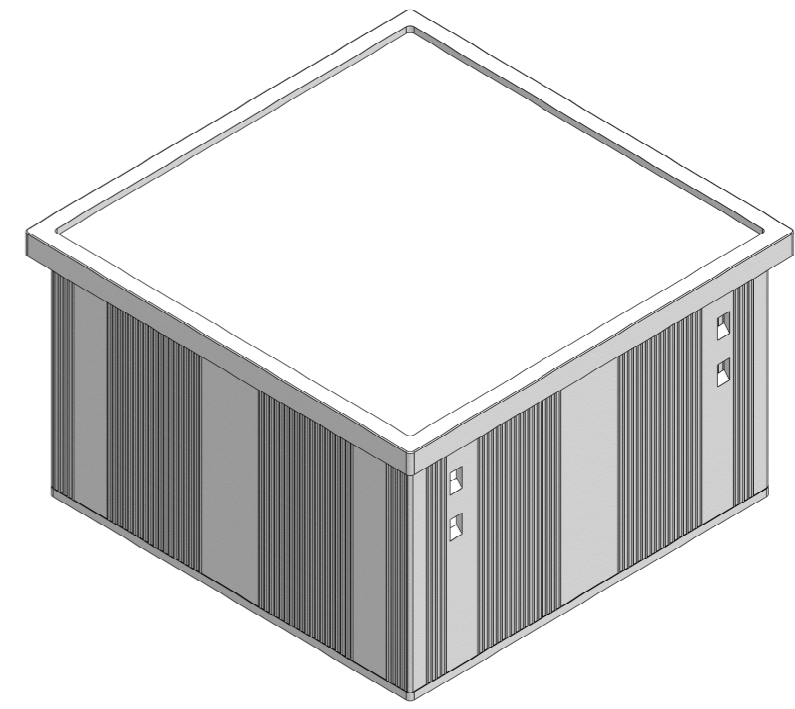


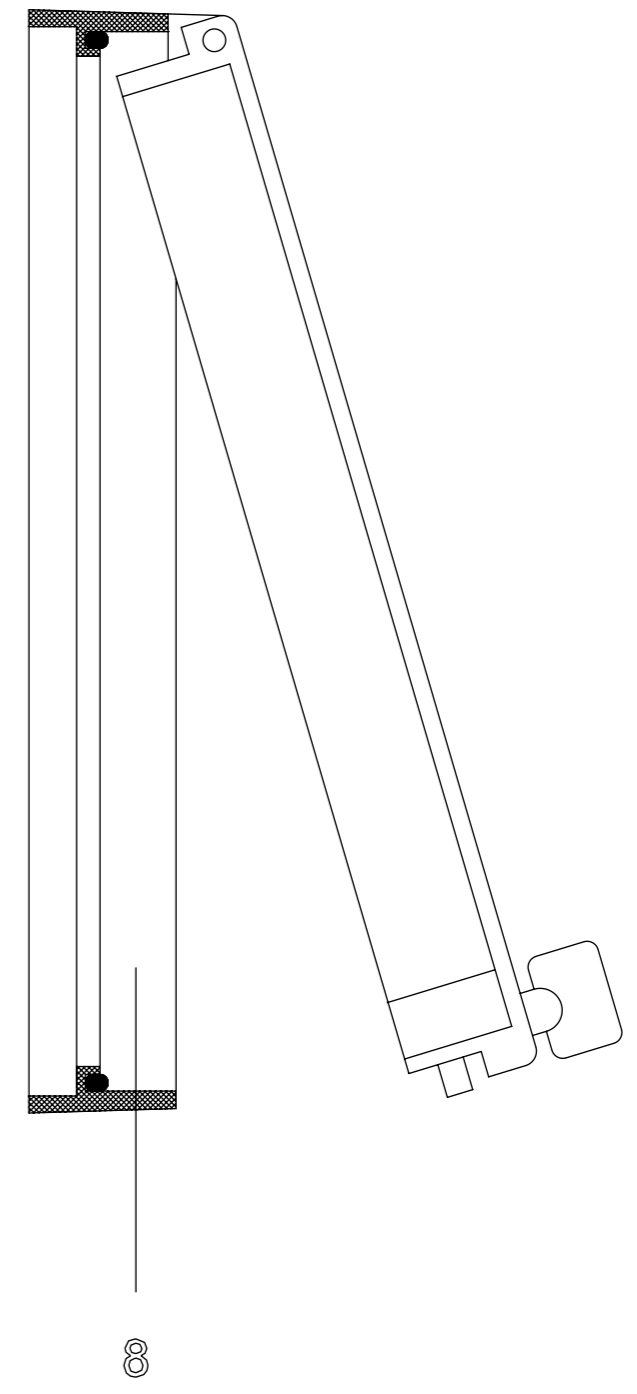
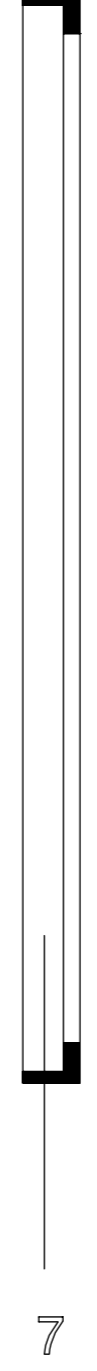
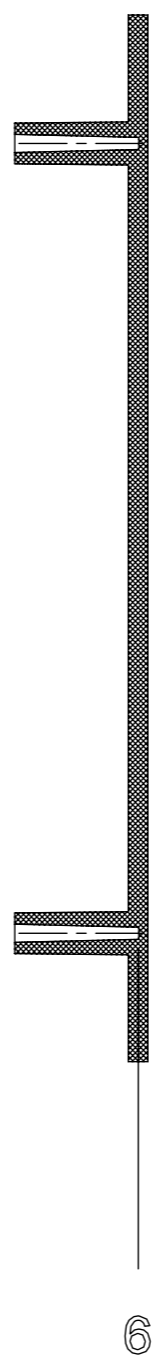
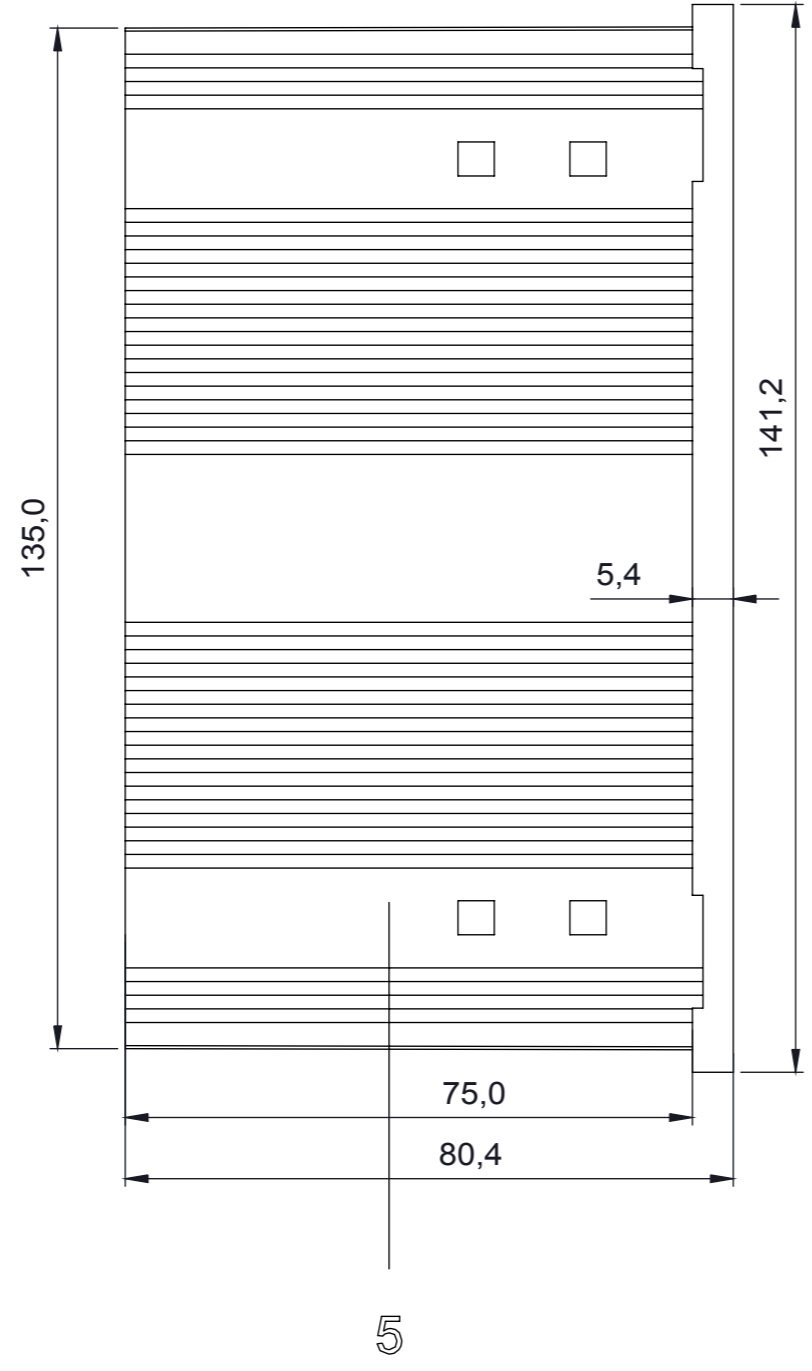
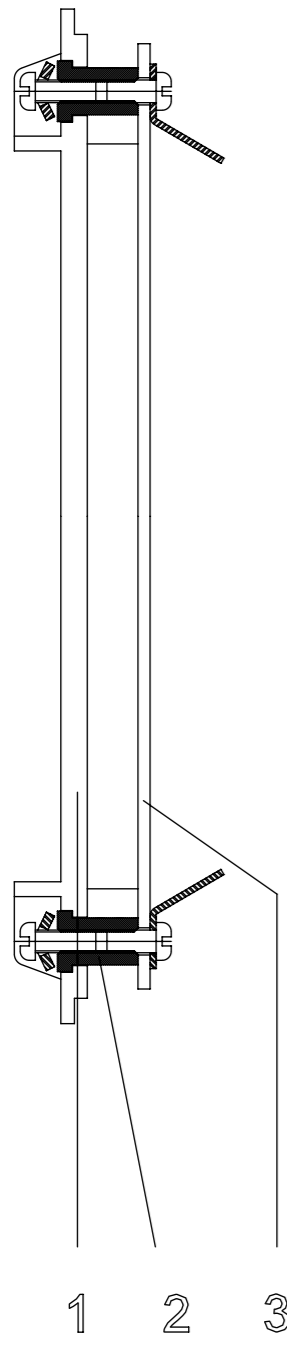



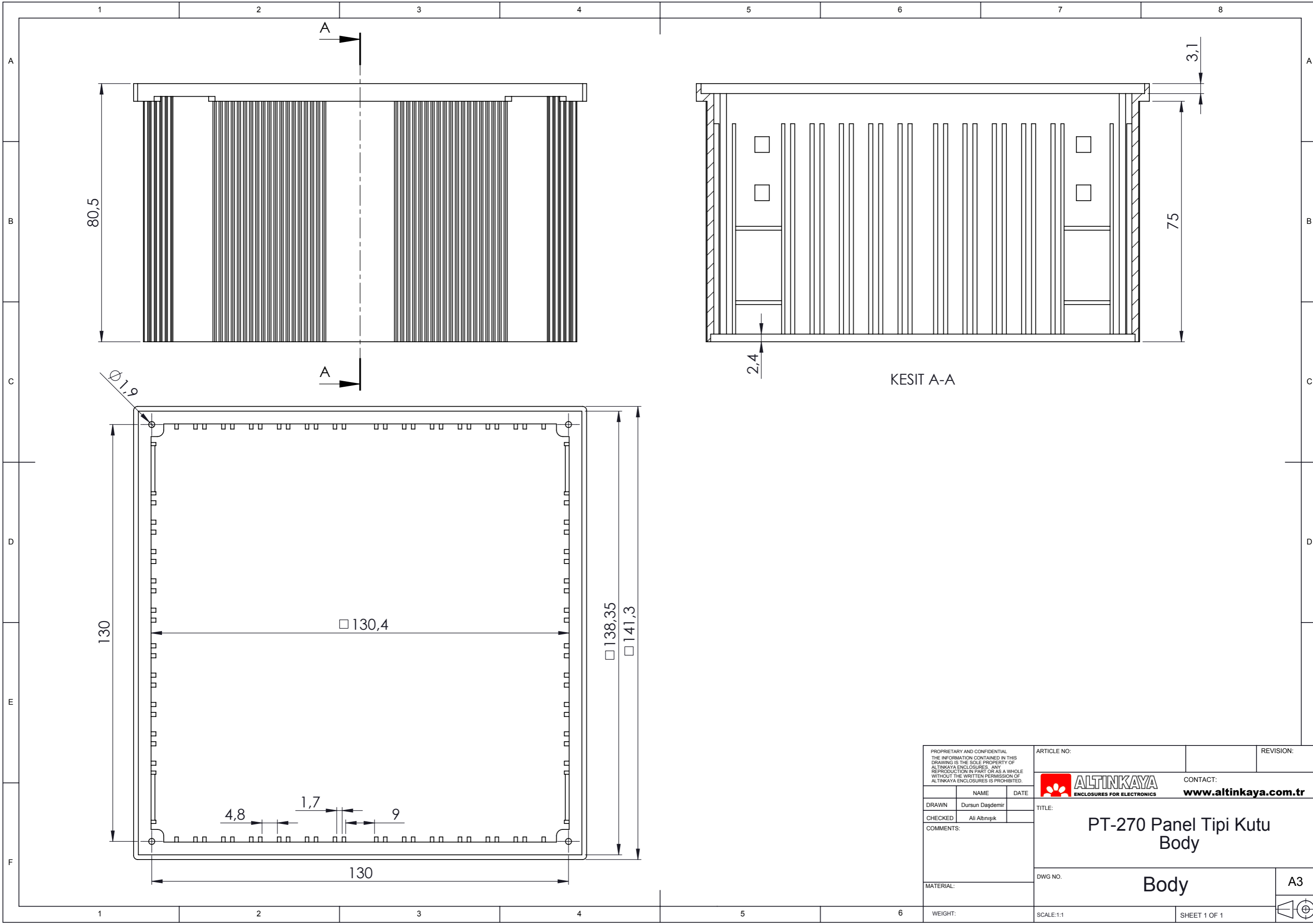
KESIT A-A


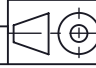


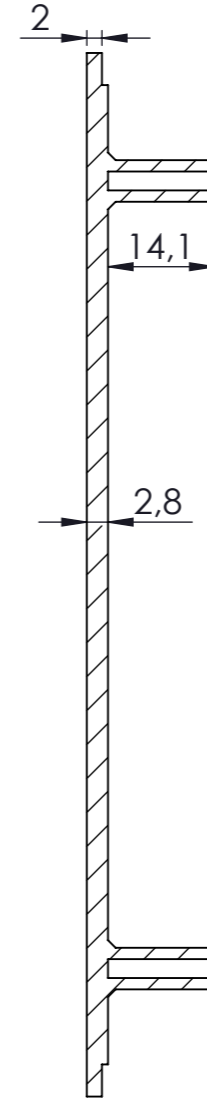
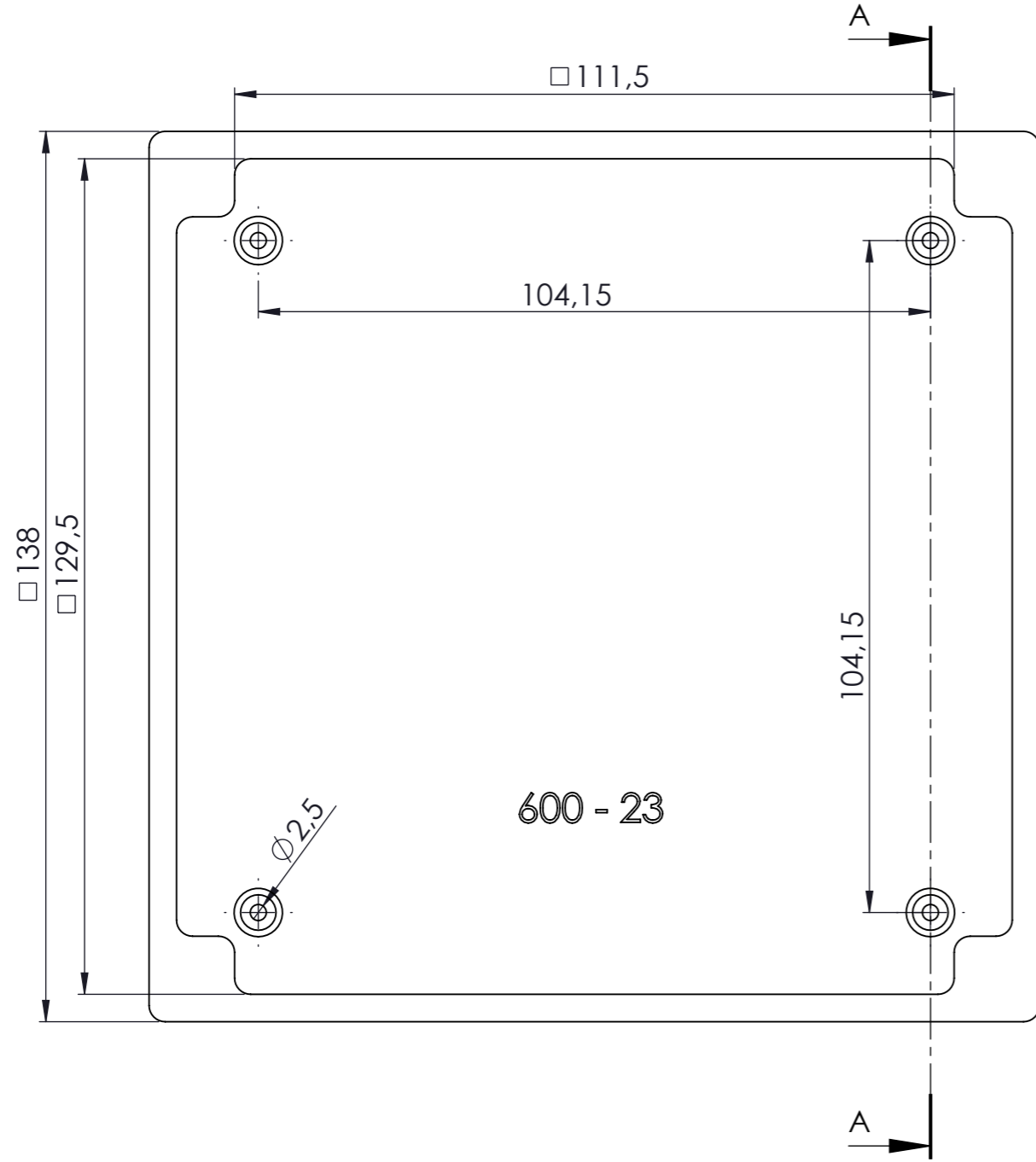
<small>PROPRIETARY AND CONFIDENTIAL THE INFORMATION CONTAINED IN THIS DRAWING IS THE SOLE PROPERTY OF ALTINKAYA ENCLOSURES. ANY REPRODUCTION IN PART OR AS A WHOLE WITHOUT THE WRITTEN PERMISSION OF ALTINKAYA ENCLOSURES IS PROHIBITED.</small>		ARTICLE NO:	REVISION:						
<table border="1"> <tr> <th>NAME</th> <th>DATE</th> </tr> <tr> <td>Dursun Daşdemir</td> <td></td> </tr> <tr> <td>Ali Altınışık</td> <td></td> </tr> </table>	NAME	DATE	Dursun Daşdemir		Ali Altınışık		 ENCLOSURES FOR ELECTRONICS		CONTACT: www.altinkaya.com.tr
NAME	DATE								
Dursun Daşdemir									
Ali Altınışık									
DRAWN: Dursun Daşdemir CHECKED: Ali Altınışık COMMENTS:		TITLE: <h2>PT-270 Panel Tipi Kutu</h2>							
MATERIAL:		DWG NO: <h2>PT-270_Assembly</h2>	A3 						
WEIGHT:		SCALE:1:1	SHEET 1 OF 1						





PROPRIETARY AND CONFIDENTIAL <small>THE INFORMATION CONTAINED IN THIS DRAWING IS THE SOLE PROPERTY OF ALTINKAYA ENCLOSURES. ANY REPRODUCTION IN PART OR AS A WHOLE WITHOUT THE WRITTEN PERMISSION OF ALTINKAYA ENCLOSURES IS PROHIBITED.</small>			ARTICLE NO:	REVISION:						
<table border="1"> <thead> <tr> <th>NAME</th> <th>DATE</th> </tr> </thead> <tbody> <tr> <td>Dursun Dasdemir</td> <td>01.08.08</td> </tr> <tr> <td>Ali Altinşik</td> <td>01.08.08</td> </tr> </tbody> </table>			NAME	DATE	Dursun Dasdemir	01.08.08	Ali Altinşik	01.08.08	 ALTINKAYA <small>ENCLOSURES FOR ELECTRONICS</small>	CONTACT: www.altinkaya.com.tr
NAME	DATE									
Dursun Dasdemir	01.08.08									
Ali Altinşik	01.08.08									
COMMENTS: <small>DIMENSIONS ARE IN MILLIMETRES, DEBUR AND BREAK SHARP EDGES</small>			PT-270 Panel Tipi Kutu							
MATERIAL:			DWG NO:	A3						
WEIGHT:			SCALE: 1:1	SHEET 1 OF 1						

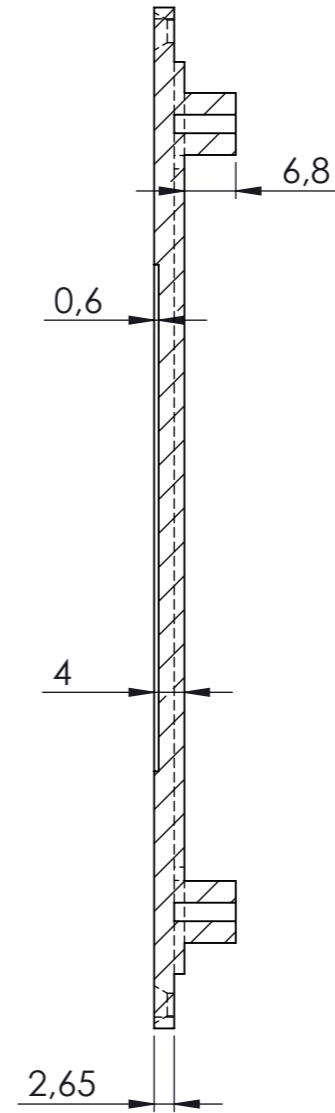
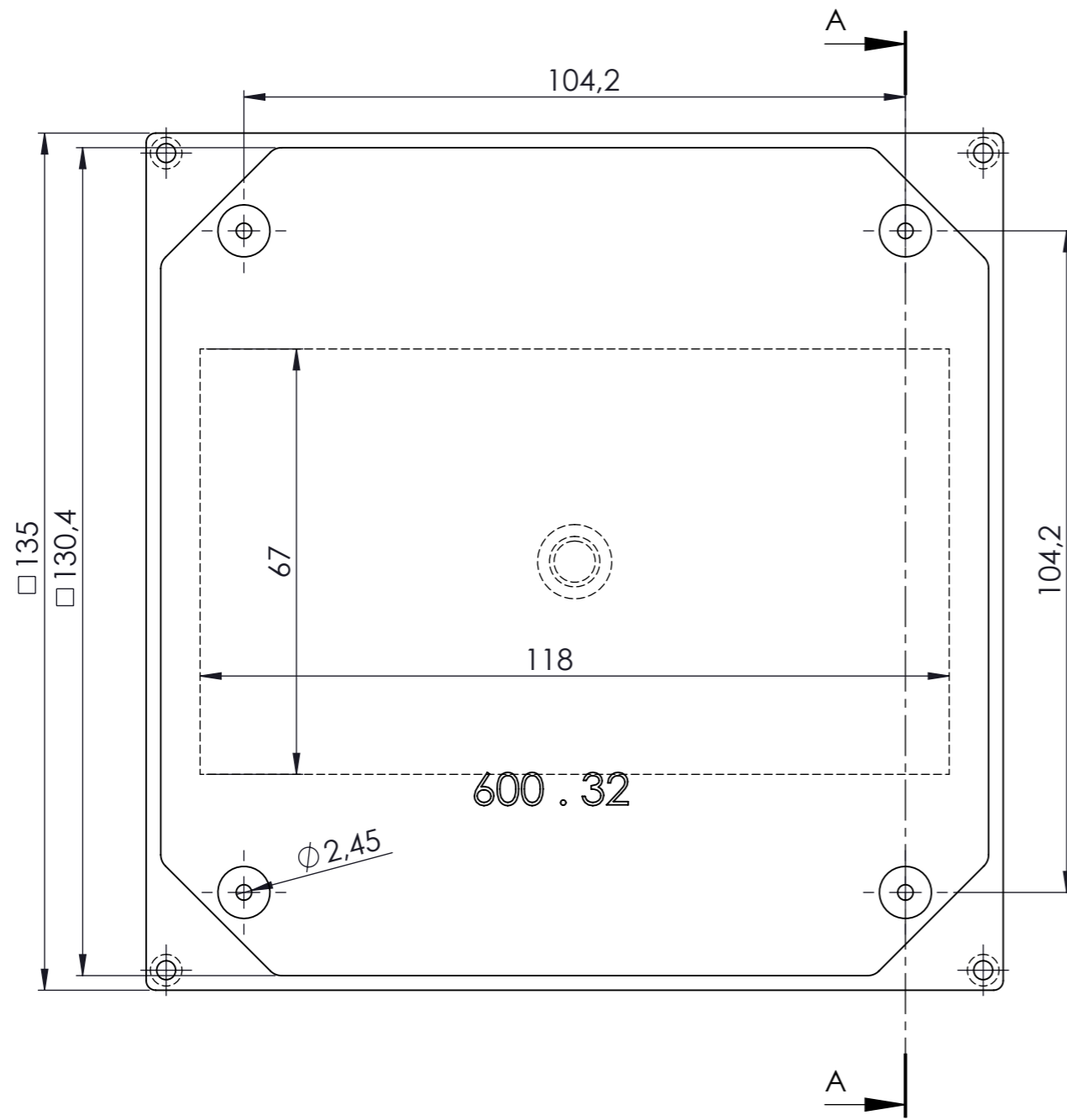


<small>PROPRIETARY AND CONFIDENTIAL THE INFORMATION CONTAINED IN THIS DRAWING IS THE SOLE PROPERTY OF ALTINKAYA ENCLOSURES. ANY REPRODUCTION IN PART OR AS A WHOLE WITHOUT THE WRITTEN PERMISSION OF ALTINKAYA ENCLOSURES IS PROHIBITED.</small>		ARTICLE NO.:	REVISION:
<small>DRAWN</small> Dursun Daşdemir		 <small>ENCLOSURES FOR ELECTRONICS</small>	<small>CONTACT:</small> www.altinkaya.com.tr
<small>CHECKED</small> Ali Altınışık		<small>TITLE:</small> PT-270 Panel Tipi Kutu Body	
<small>COMMENTS:</small>		<small>DWG NO.</small> Body	A3
<small>MATERIAL:</small>		<small>SCALE:</small> 1:1	<small>SHEET</small> 1 OF 1
<small>WEIGHT:</small>			





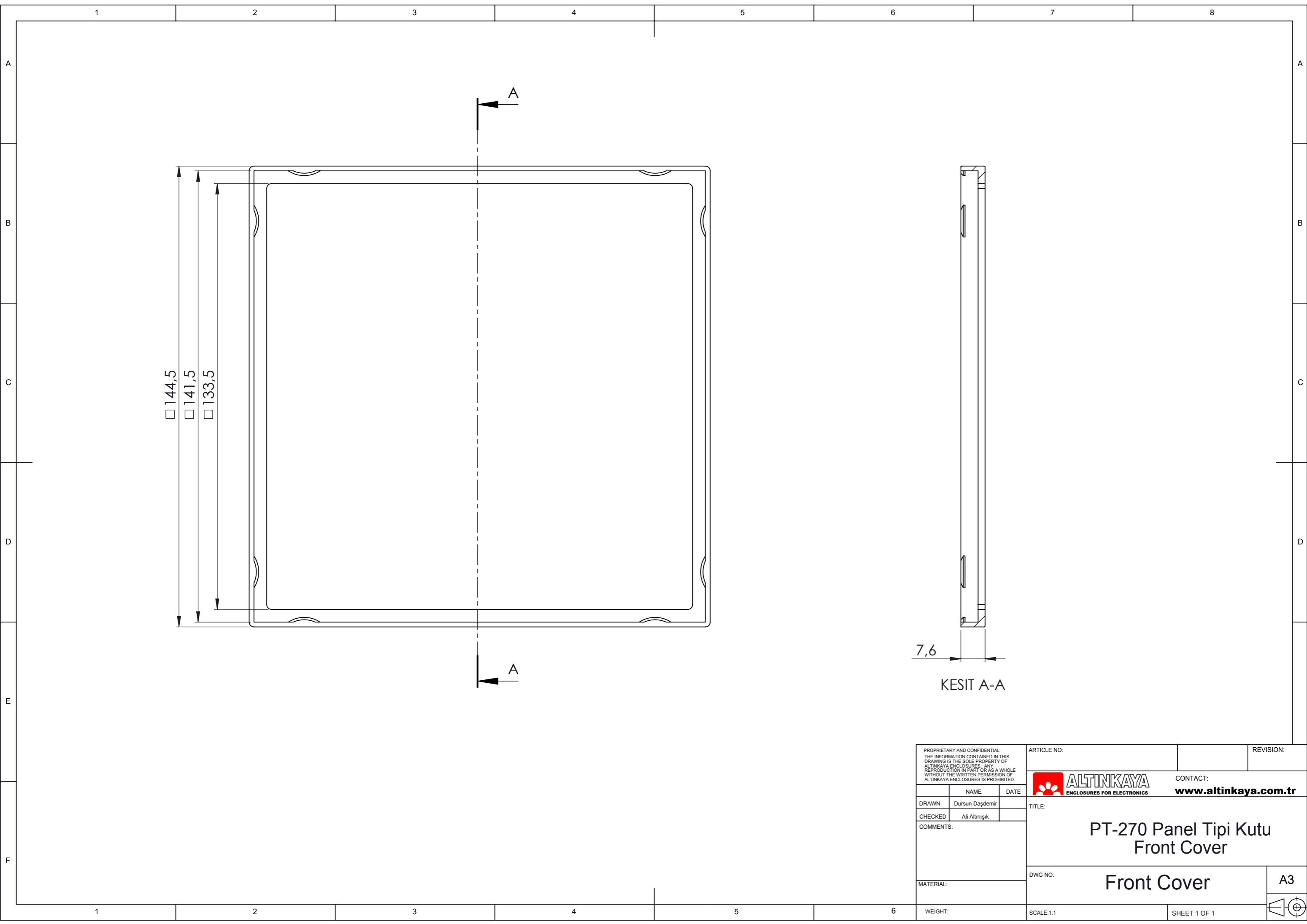
KESIT A-A


<small>PROPRIETARY AND CONFIDENTIAL THE INFORMATION CONTAINED IN THIS DRAWING IS THE SOLE PROPERTY OF ALTINKAYA ENCLOSURES. ANY REPRODUCTION IN PART OR AS A WHOLE WITHOUT THE WRITTEN PERMISSION OF ALTINKAYA ENCLOSURES IS PROHIBITED.</small>			ARTICLE NO:	REVISION:
<small>DRAWN</small> Dursun Daşdemir			 CONTACT: www.altinkaya.com.tr	TITLE: PT-270 Panel Tipi Kutu Panel
<small>CHECKED</small> Ali Altınışık				
<small>COMMENTS:</small>			<small>DWG NO.</small> Panel	<small>A3</small>
<small>MATERIAL:</small>			<small>SCALE:</small> 1:1	<small>SHEET</small> 1 OF 1
<small>WEIGHT:</small>				



KESIT A-A

<small>PROPRIETARY AND CONFIDENTIAL THE INFORMATION CONTAINED IN THIS DRAWING IS THE SOLE PROPERTY OF ALTINKAYA ENCLOSURES. ANY REPRODUCTION IN PART OR AS A WHOLE WITHOUT THE WRITTEN PERMISSION OF ALTINKAYA ENCLOSURES IS PROHIBITED.</small>		ARTICLE NO:	REVISION:
<small>DRAWN</small> Dursun Daşdemir			<small>CONTACT:</small> www.altinkaya.com.tr
<small>CHECKED</small> Ali Altınışık		<small>TITLE:</small> PT-270 Panel Tipi Kutu Base	
<small>COMMENTS:</small>		<small>DWG NO.</small> Base	A3
<small>MATERIAL:</small>		<small>SCALE:</small> 1:1	<small>SHEET</small> 1 OF 1
<small>WEIGHT:</small>			



<small>PROPRIETARY AND CONFIDENTIAL THE INFORMATION CONTAINED IN THIS DRAWING IS THE SOLE PROPERTY OF ALTINKAYA ENCLOSURES. ANY REPRODUCTION IN PART OR AS A WHOLE WITHOUT THE WRITTEN PERMISSION OF ALTINKAYA ENCLOSURES IS PROHIBITED.</small>		ARTICLE NO.:	REVISION:						
<table border="1"> <tr> <th>NAME</th> <th>DATE</th> </tr> <tr> <td>Dursun Daşdemir</td> <td></td> </tr> <tr> <td>Ali Altınışık</td> <td></td> </tr> </table>		NAME	DATE	Dursun Daşdemir		Ali Altınışık			CONTACT: www.altinkaya.com.tr
NAME	DATE								
Dursun Daşdemir									
Ali Altınışık									
<table border="1"> <tr> <th>CHECKED</th> <th>DATE</th> </tr> <tr> <td>Ali Altınışık</td> <td></td> </tr> </table>		CHECKED	DATE	Ali Altınışık		TITLE: PT-270 Panel Tipi Kutu Front Cover			
CHECKED	DATE								
Ali Altınışık									
MATERIAL:		DWG NO. Front Cover	A3						
WEIGHT:		SCALE:1:1	SHEET 1 OF 1						