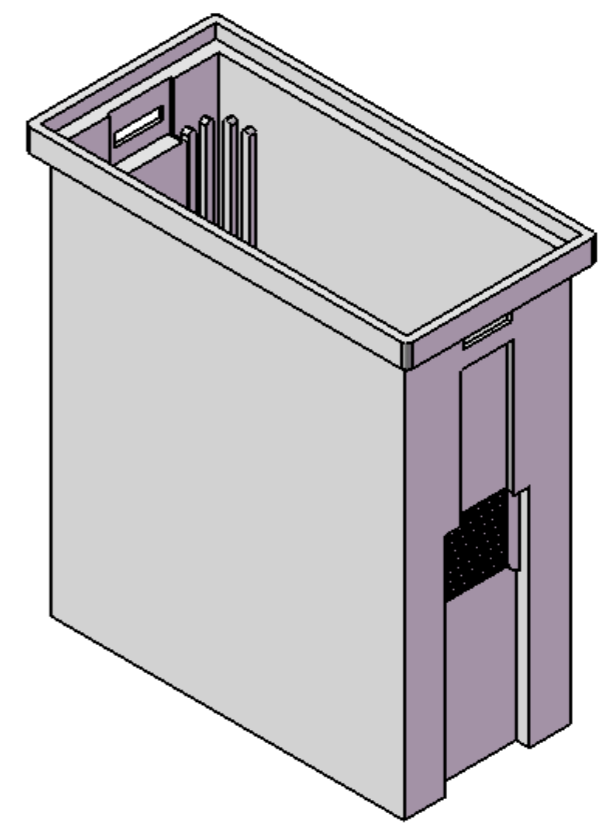
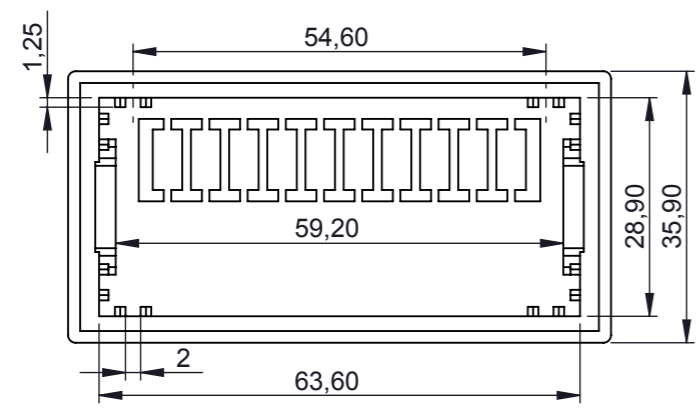

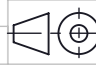
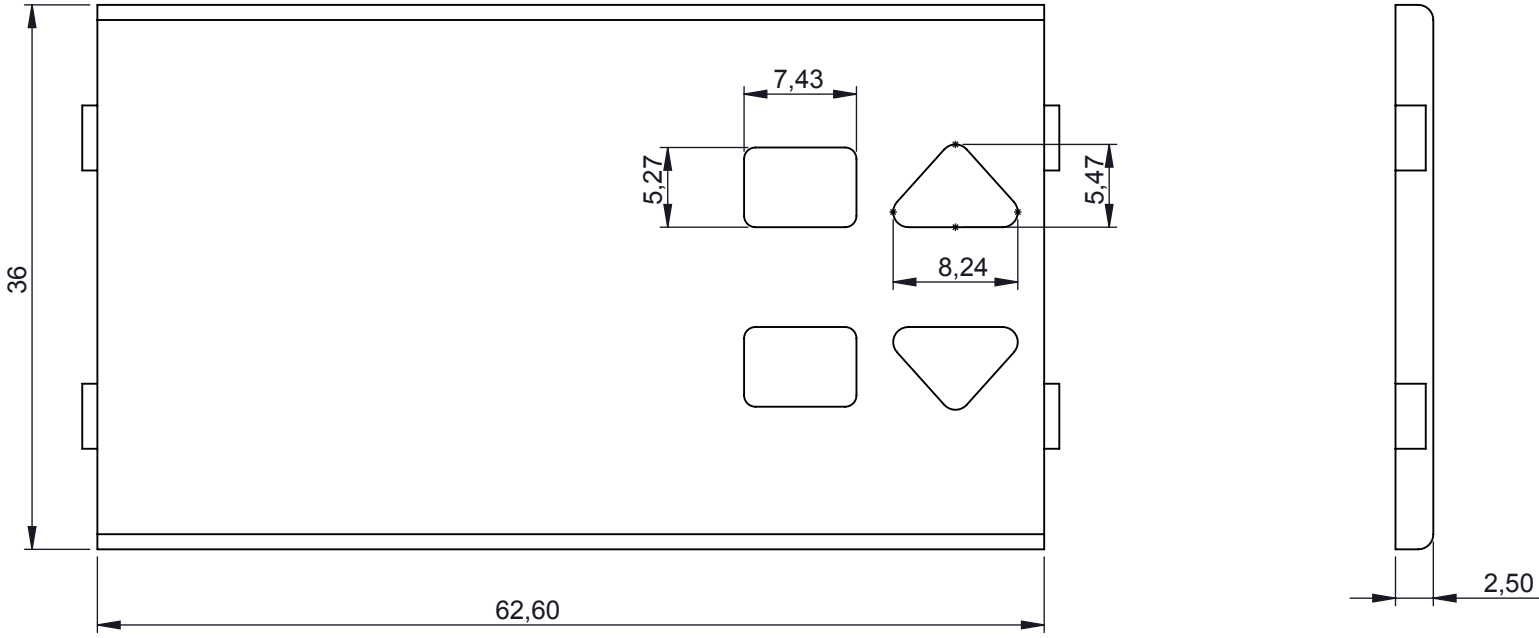



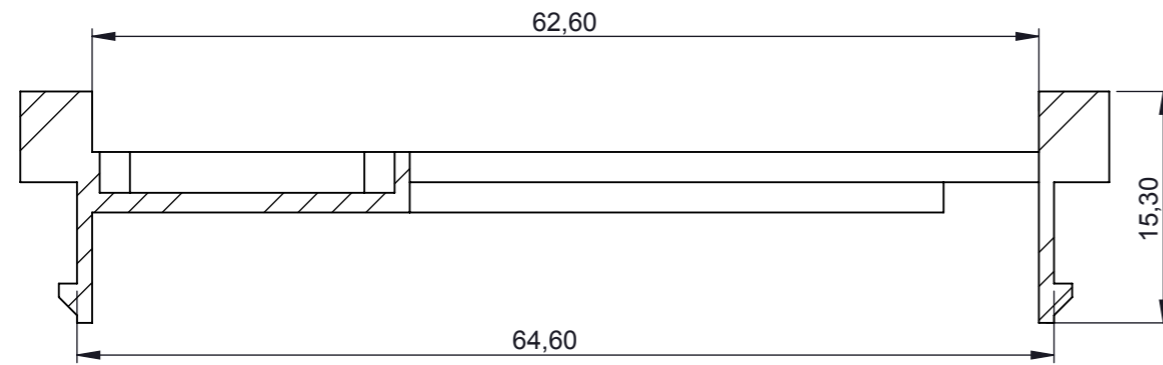
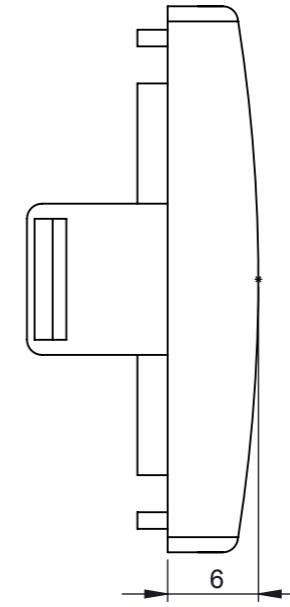
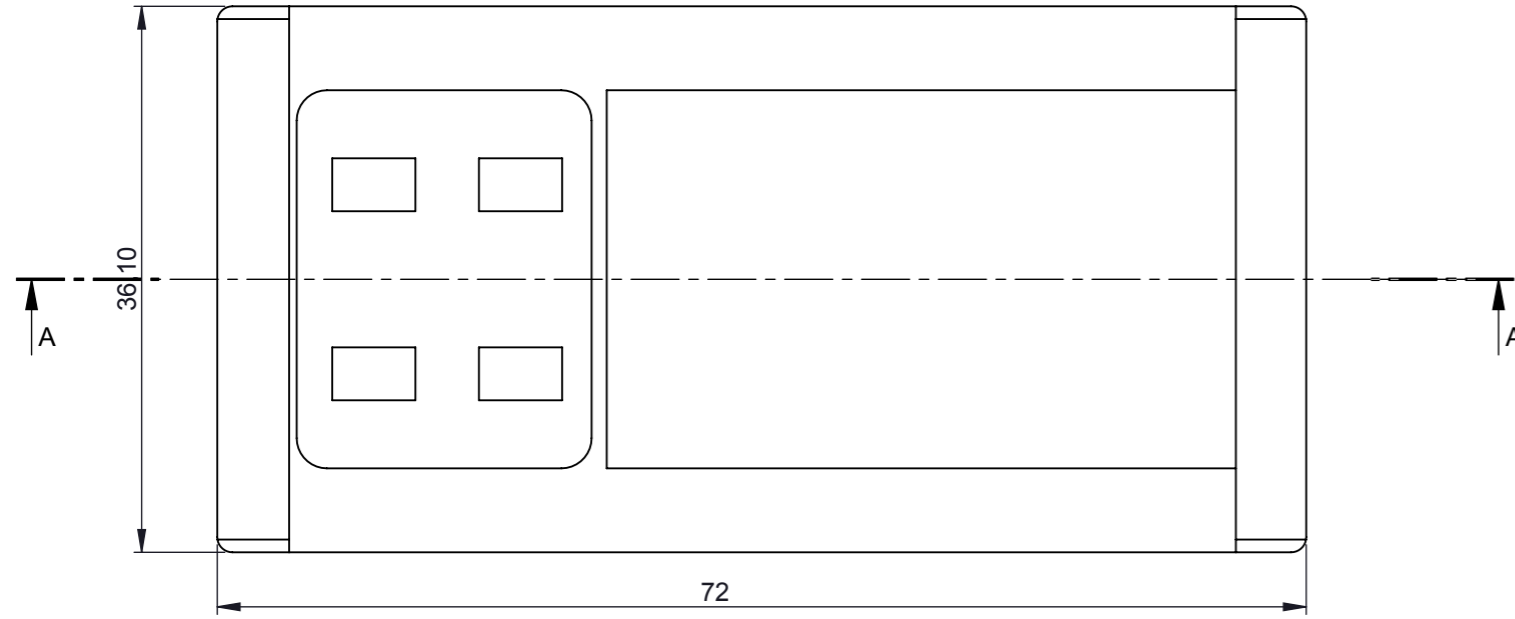
SECTION A-A



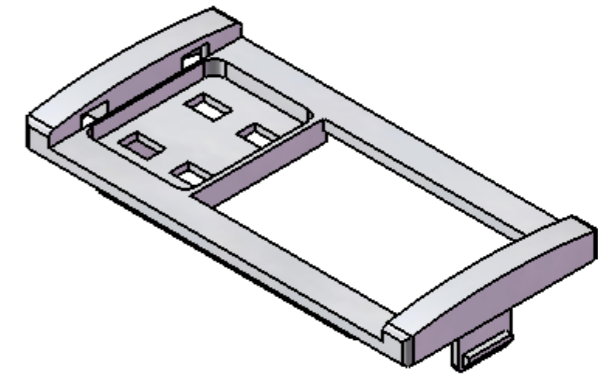
<small>PROPRIETARY AND CONFIDENTIAL THE INFORMATION CONTAINED IN THIS DRAWING IS THE SOLE PROPERTY OF ALTINKAYA ENCLOSURES. ANY REPRODUCTION IN PART OR AS A WHOLE WITHOUT THE WRITTEN PERMISSION OF ALTINKAYA ENCLOSURES IS PROHIBITED.</small>			ARTICLE NO:	REVISION:						
<table border="1"> <thead> <tr> <th>NAME</th> <th>DATE</th> </tr> </thead> <tbody> <tr> <td>Dursun Daşdemir</td> <td>23.01.08</td> </tr> <tr> <td>Ali Altınşik</td> <td>23.01.08</td> </tr> </tbody> </table>			NAME	DATE	Dursun Daşdemir	23.01.08	Ali Altınşik	23.01.08		CONTACT: www.altinkaya.com.tr
NAME	DATE									
Dursun Daşdemir	23.01.08									
Ali Altınşik	23.01.08									
DRAWN: Dursun Daşdemir 23.01.08 CHECKED: Ali Altınşik 23.01.08 COMMENTS:			TITLE:							
MATERIAL:			DWG NO.	Govde						
WEIGHT:			SCALE:1:1	A3						
			SHEET 1 OF 1							



NAME	DATE	ARTICLE NO:	REVISION:	TITLE:
DRAWN Dursun Daşdemir	23.01.08			
CHECKED Ali Altınışık	23.01.08	COMMENTS: DIMENSIONS ARE IN MILLIMETERS, DEBUR AND BREAK SHARP EDGES		
 www.altinkaya.com.tr				
PROPRIETARY AND CONFIDENTIAL <small>THE INFORMATION CONTAINED IN THIS DRAWING IS THE SOLE PROPERTY OF ALTINKAYA ENCLOSURES. ANY REPRODUCTION IN PART OR AS A WHOLE WITHOUT THE WRITTEN PERMISSION OF ALTINKAYA ENCLOSURES IS PROHIBITED.</small>				
MATERIAL:		WEIGHT:	SCALE:2:1	SHEET 1 OF 1
			DWG NO.	Cam
				A4



SECTION A-A



<small>PROPRIETARY AND CONFIDENTIAL THE INFORMATION CONTAINED IN THIS DRAWING IS THE SOLE PROPERTY OF ALTINKAYA ENCLOSURES. ANY REPRODUCTION IN PART OR AS A WHOLE WITHOUT THE WRITTEN PERMISSION OF ALTINKAYA ENCLOSURES IS PROHIBITED.</small>			ARTICLE NO:	REVISION:						
<table border="1"> <thead> <tr> <th>NAME</th> <th>DATE</th> </tr> </thead> <tbody> <tr> <td>Dursun Dağdemir</td> <td>23.01.08</td> </tr> <tr> <td>Ali Altıngök</td> <td>23.01.08</td> </tr> </tbody> </table>			NAME	DATE	Dursun Dağdemir	23.01.08	Ali Altıngök	23.01.08		
NAME	DATE									
Dursun Dağdemir	23.01.08									
Ali Altıngök	23.01.08									
DRAWN: Dursun Dağdemir CHECKED: Ali Altıngök COMMENTS:			CONTACT: www.altinkaya.com.tr TITLE:							
MATERIAL:			DWG NO. Kapak							
WEIGHT:			SCALE: 2:1 A3							
			SHEET 1 OF 1							