
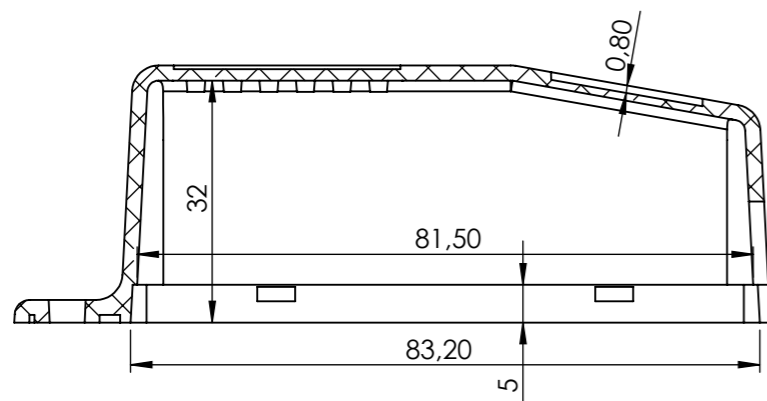
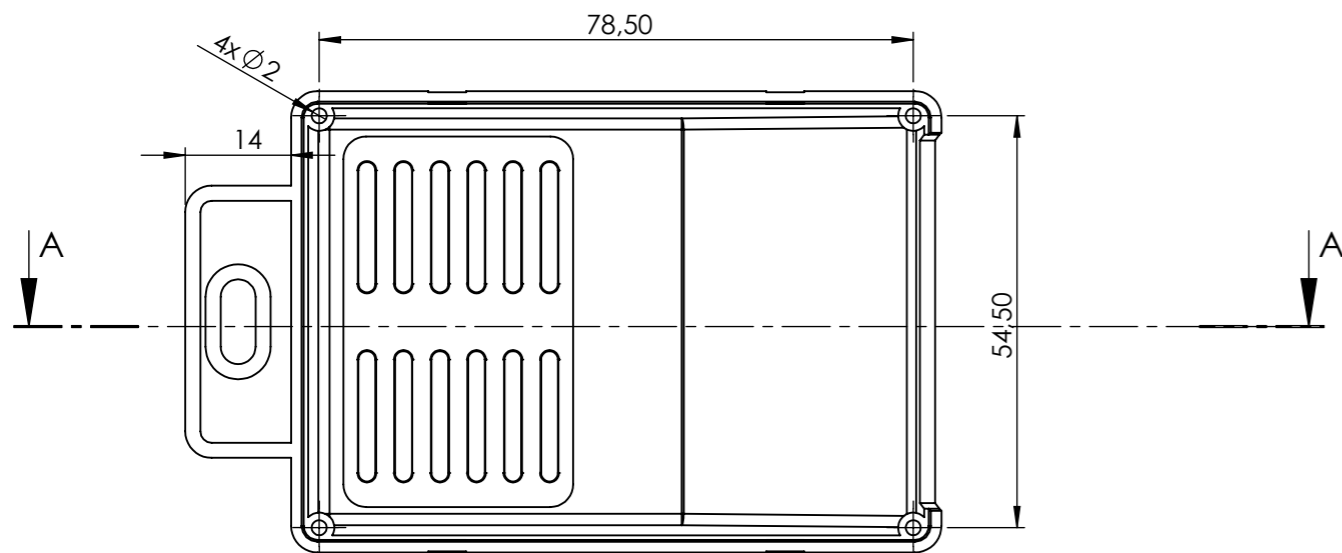
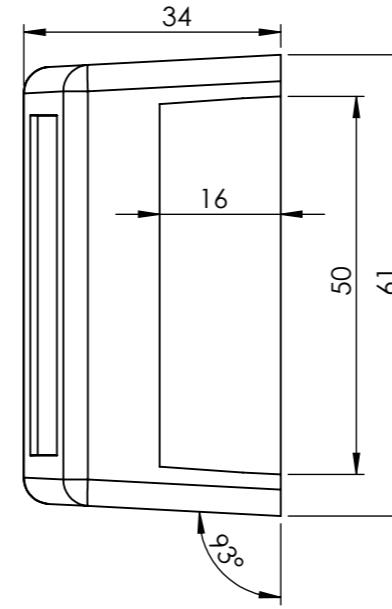
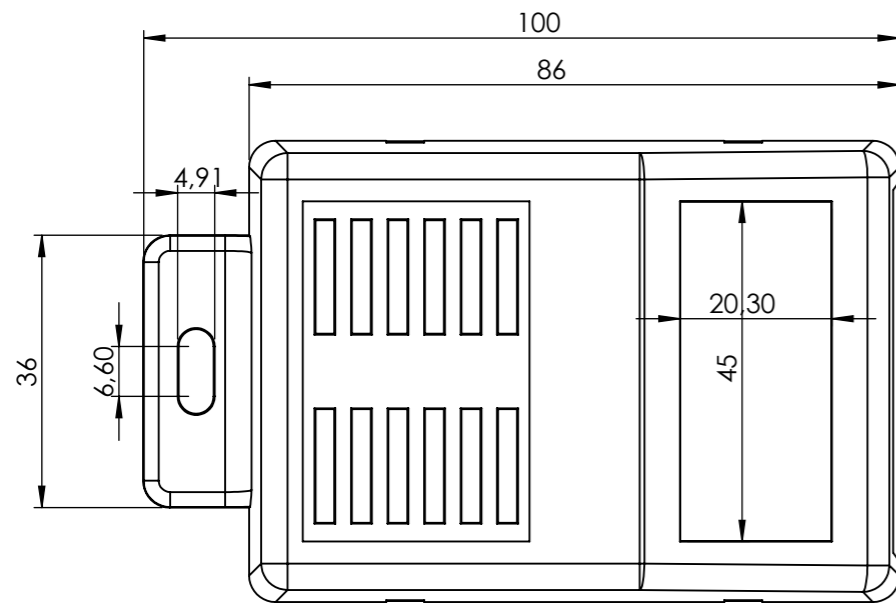


1	DM-032-Base
2	DM-032-Body
3	DM-032-PCB

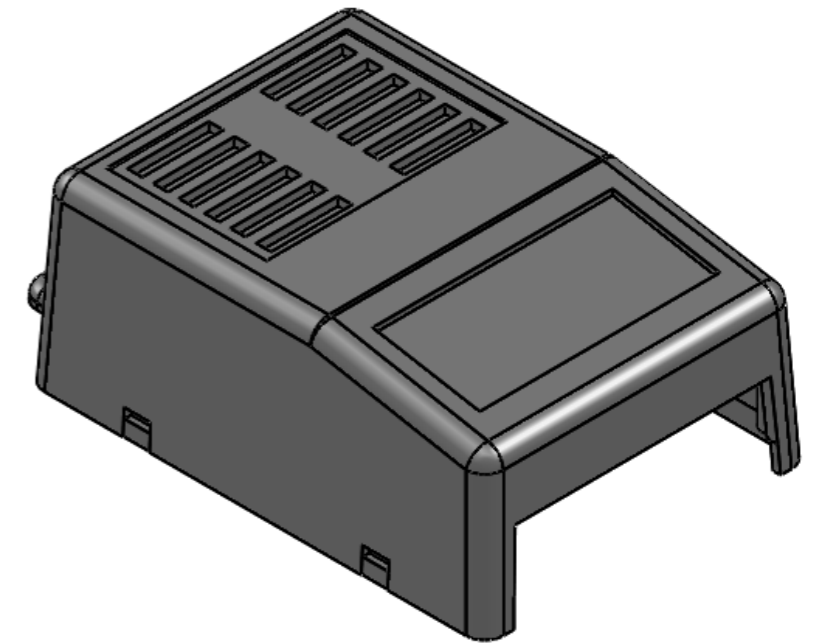
PROPRIETARY AND CONFIDENTIAL  
THE INFORMATION CONTAINED IN THIS  
DRAWING IS THE SOLE PROPERTY OF  
ALTINKAYA ENCLOSURES. ANY  
REPRODUCTION IN PART OR AS A WHOLE  
WITHOUT THE WRITTEN PERMISSION OF  
ALTINKAYA ENCLOSURES IS PROHIBITED.



ARTICLE NO.:	REVISION:
 <b>ALTINKAYA</b> ENCLOSURES FOR ELECTRONICS	
CONTACT: <a href="http://www.altinkaya.com.tr">www.altinkaya.com.tr</a>	
TITLE:	
DWG NO. <b>DM-032-Assembly</b>	A3
SCALE: 1:5	SHEET 1 OF 1

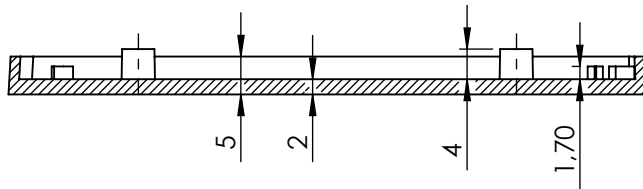
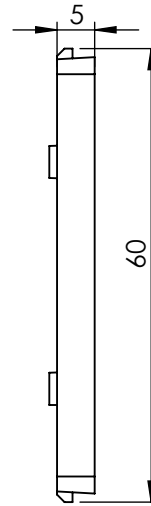
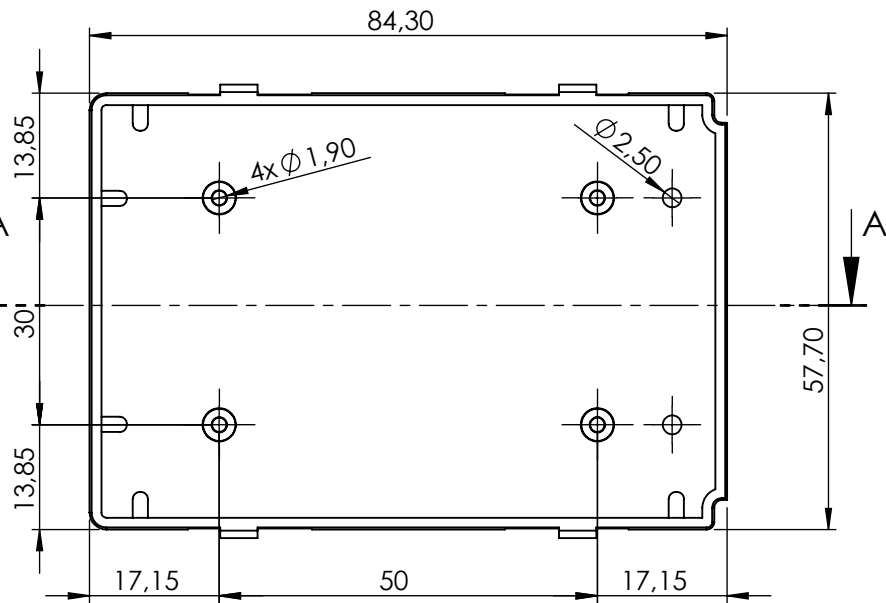
DRAWN: Dursun CAN  
 CHECKED: Ali Altınışık  
 COMMENTS:  
 MATERIAL:  
 WEIGHT:



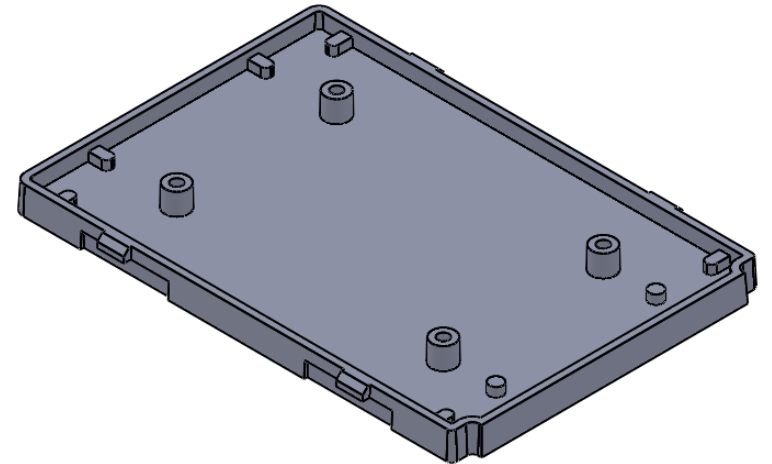
SECTION A-A




<small>PROPRIETARY AND CONFIDENTIAL THE INFORMATION CONTAINED IN THIS DRAWING IS THE SOLE PROPERTY OF ALTINKAYA ENCLOSURES. ANY REPRODUCTION IN PART OR AS A WHOLE WITHOUT THE WRITTEN PERMISSION OF ALTINKAYA ENCLOSURES IS PROHIBITED.</small>		ARTICLE NO.:	REVISION:
<small>DRAWN</small> Dursun CAN <small>CHECKED</small> Ali Altınışık <small>COMMENTS:</small> <small>MATERIAL:</small> <small>WEIGHT:</small>		 <b>ALTINKAYA</b> <small>ENCLOSURES FOR ELECTRONICS</small>	<small>CONTACT:</small> <a href="http://www.altinkaya.com.tr">www.altinkaya.com.tr</a>
		<small>TITLE:</small>	<small>SCALE:</small> 1:1
		DWG NO. <b>DM-032-Body</b>	<b>A3</b>
		<small>SHEET 1 OF 1</small>	



SECTION A-A



	NAME	DATE	ARTICLE NO:	REVISION:	TITLE:
DRAWN	Dursun CAN				
CHECKED	Ali Altınışık		COMMENTS:		
	 <b>ALTINKAYA</b> ENCLOSURES FOR ELECTRONICS <a href="http://www.altinkaya.com.tr">www.altinkaya.com.tr</a>		DIMENSIONS ARE IN MILLIMETERS. DEBUR AND BREAK SHARP EDGES		
	<b>PROPRIETARY AND CONFIDENTIAL</b> <small>THE INFORMATION CONTAINED IN THIS DRAWING IS THE SOLE PROPERTY OF ALTINKAYA ENCLOSURES. ANY REPRODUCTION IN PART OR AS A WHOLE WITHOUT THE WRITTEN PERMISSION OF ALTINKAYA ENCLOSURES IS PROHIBITED.</small>		DWG NO. <b>DM-032-Base</b>		A4
	<b>MATERIAL:</b>		WEIGHT:	SCALE:1:1	SHEET 1 OF 1

