

ITEM NO.	PART NUMBER	DESCRIPTION	QTY.
1	DM-020-P-2-10565	Base	1
2	DM-020-P-1-10563	Cover	1
3	DM-020 PCB sample	Not Included	1
4	A-614-0-0-M-0-11099	3 x 9,5 mm YSB PLS Metallic Screw	2

PROPRIETARY AND CONFIDENTIAL
THE INFORMATION CONTAINED IN THIS
DRAWING IS THE SOLE PROPERTY OF
ALTINKAYA ENCLOSURES. ANY
REPRODUCTION IN PART OR AS A WHOLE
WITHOUT THE WRITTEN PERMISSION OF
ALTINKAYA ENCLOSURES IS PROHIBITED.

ARTICLE NO: _____ REVISION: _____

ALTINKAYA
ENCLOSURES FOR ELECTRONICS

CONTACT:
www.altinkaya.com.tr

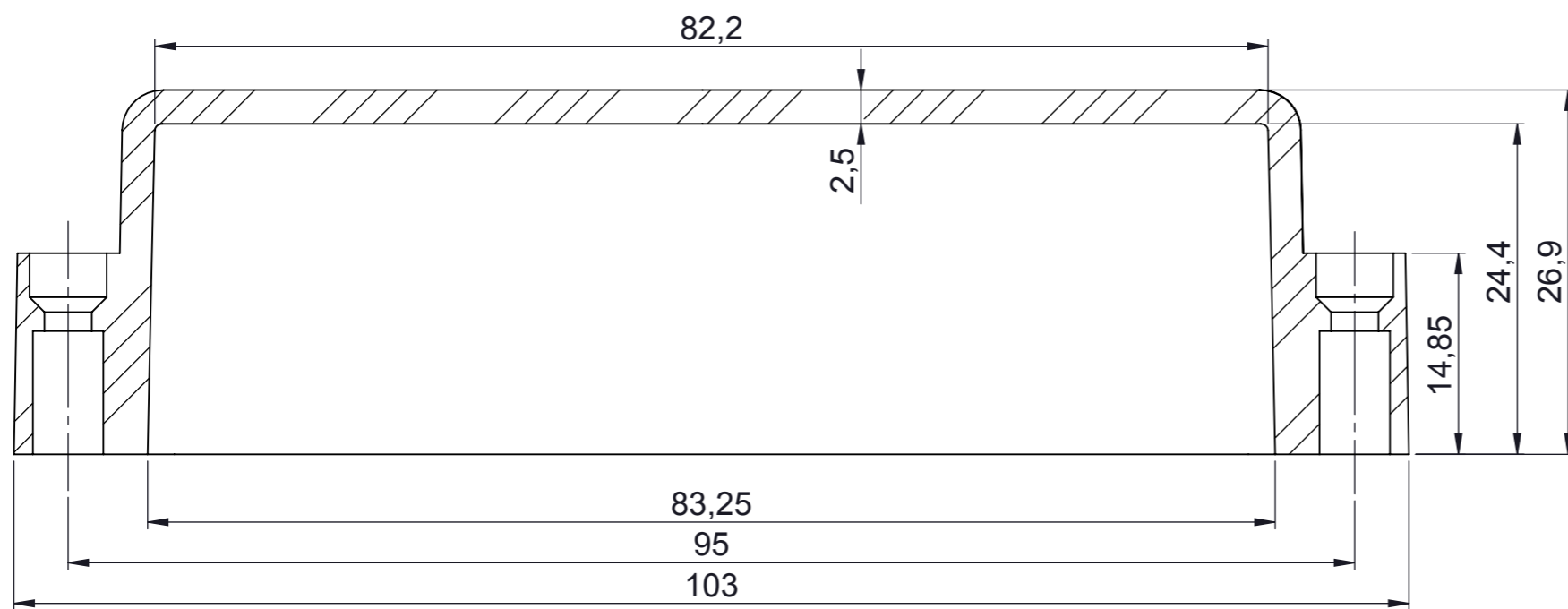
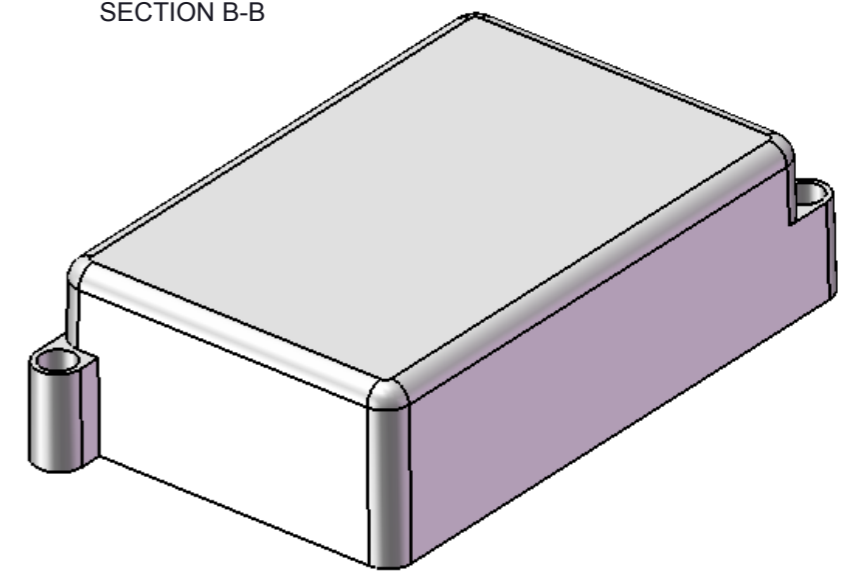
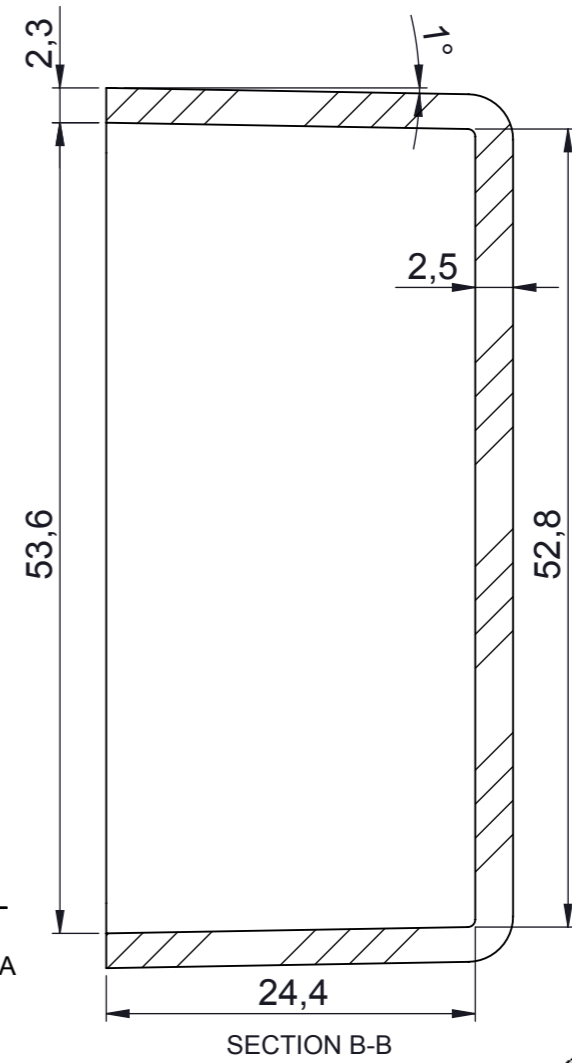
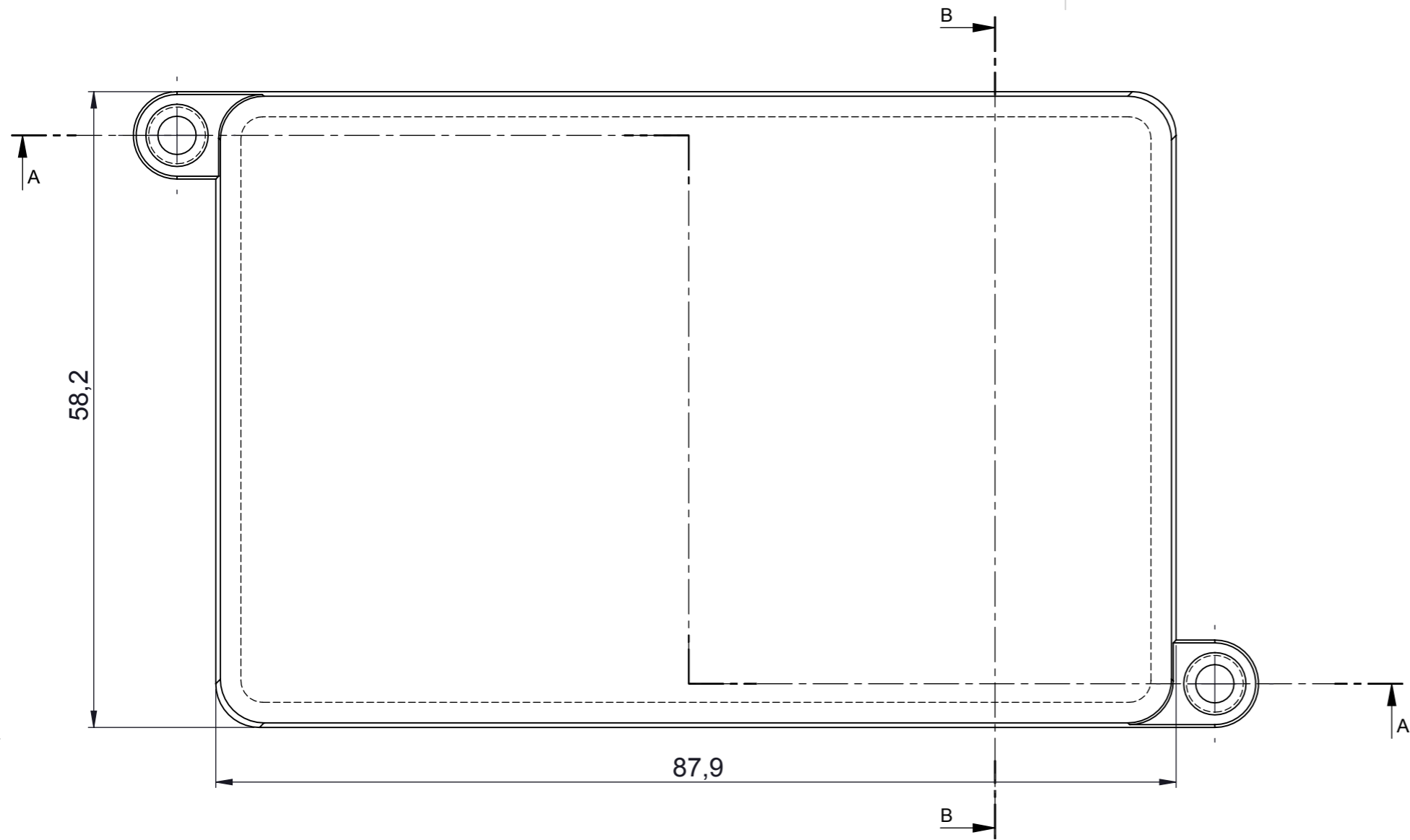
DRAWN: Dursun Dagdemir 28.11.07
CHECKED: Ali Altinçik 28.11.07
COMMENTS:

TITLE:
Wall Mount Enclosure

DWG NO:
DM-020-0-0-10242 A3

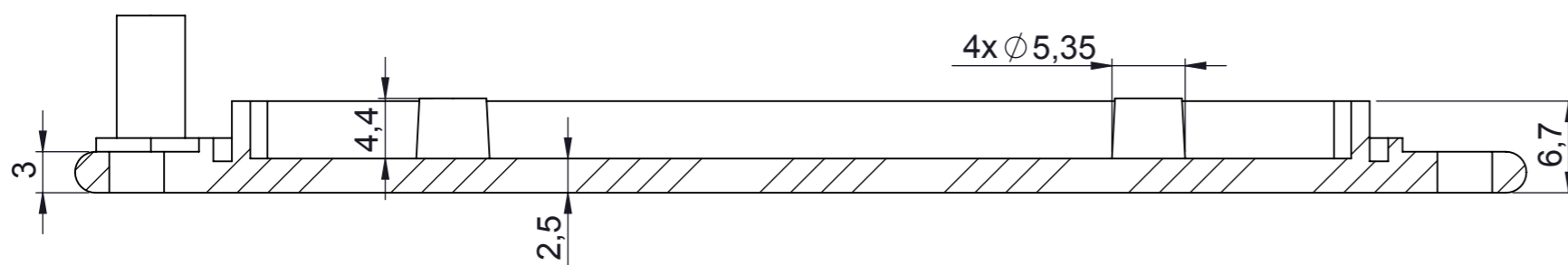
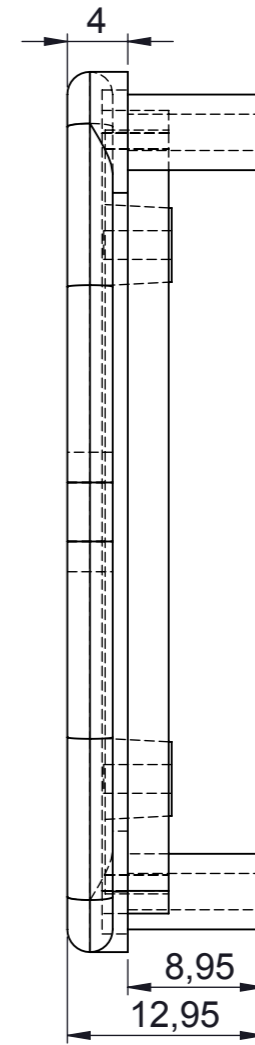
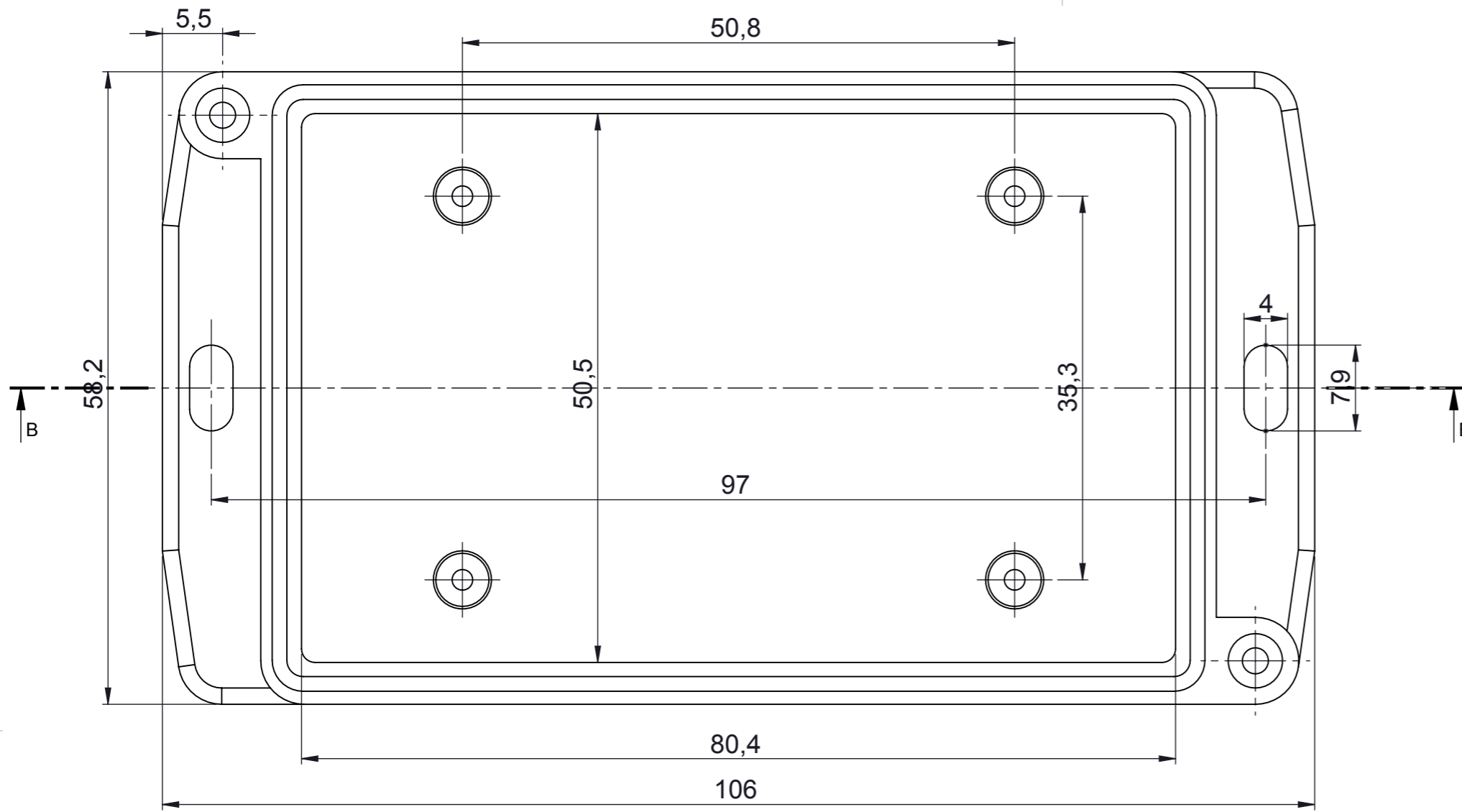
MATERIAL:

WEIGHT: _____ SCALE:1:1 SHEET 1 OF 1

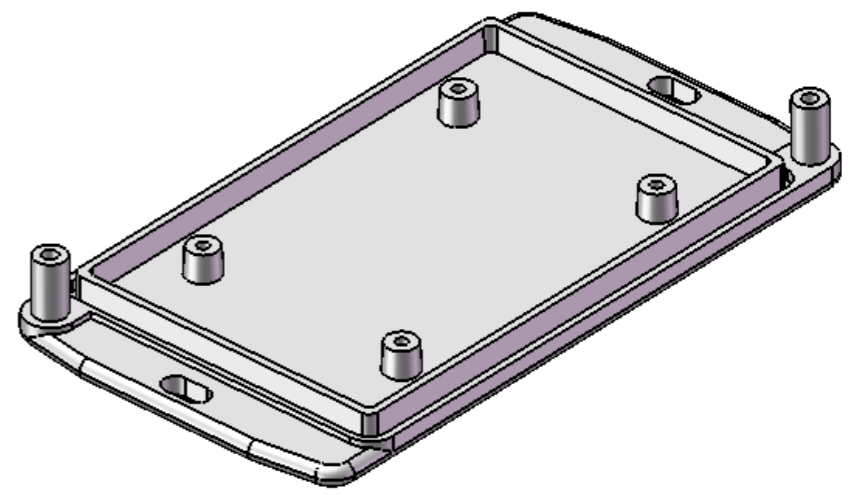



SECTION A-A

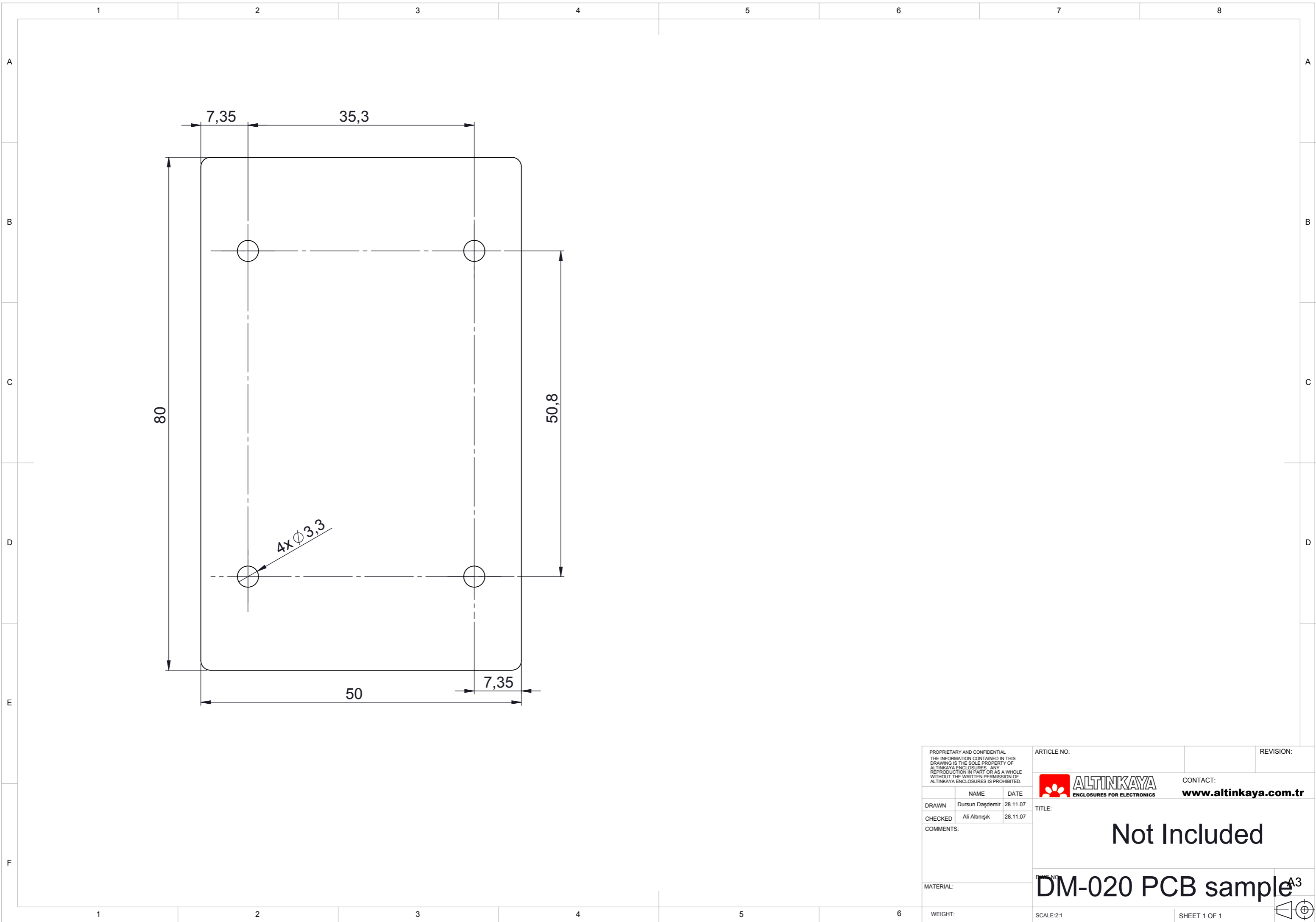
<small>PROPRIETARY AND CONFIDENTIAL THE INFORMATION CONTAINED IN THIS DRAWING IS THE SOLE PROPERTY OF ALTINKAYA ENCLOSURES. ANY REPRODUCTION IN PART OR AS A WHOLE WITHOUT THE WRITTEN PERMISSION OF ALTINKAYA ENCLOSURES IS PROHIBITED.</small>		ARTICLE NO:	REVISION:
		CONTACT: www.altinkaya.com.tr	
DRAWN	Dursun Daşdemir	DATE	28.11.07
CHECKED	Ali Altıngök	DATE	28.11.07
COMMENTS:		TITLE:	
		<h1>Cover</h1>	
MATERIAL:		DWG NO: DM-020-P-1-10563 A3	
WEIGHT:		SCALE: 2:1	SHEET 1 OF 1



SECTION B-B
SCALE 2 : 1



<small>PROPRIETARY AND CONFIDENTIAL THE INFORMATION CONTAINED IN THIS DRAWING IS THE SOLE PROPERTY OF ALTINKAYA ENCLOSURES. ANY REPRODUCTION IN PART OR AS A WHOLE WITHOUT THE WRITTEN PERMISSION OF ALTINKAYA ENCLOSURES IS PROHIBITED.</small>		ARTICLE NO:	REVISION:
<small>DRAWN Dursun Daşdemir 28.11.07 CHECKED Ali Altıngök 28.11.07 COMMENTS:</small>		 ALTINKAYA ENCLOSURES FOR ELECTRONICS	CONTACT: www.altinkaya.com.tr
MATERIAL:		<h1 style="text-align: center;">Base</h1>	
WEIGHT:			
SCALE: 2:1		DWG NO: DM-020-P-2-10565 A3 SHEET 1 OF 1	



<small>PROPRIETARY AND CONFIDENTIAL THE INFORMATION CONTAINED IN THIS DRAWING IS THE SOLE PROPERTY OF ALTINKAYA ENCLOSURES. ANY REPRODUCTION IN PART OR AS A WHOLE WITHOUT THE WRITTEN PERMISSION OF ALTINKAYA ENCLOSURES IS PROHIBITED.</small>			ARTICLE NO:	REVISION:												
<table border="1"> <thead> <tr> <th></th> <th>NAME</th> <th>DATE</th> </tr> </thead> <tbody> <tr> <td>DRAWN</td> <td>Dursun Daşdemir</td> <td>28.11.07</td> </tr> <tr> <td>CHECKED</td> <td>Ali Altınşık</td> <td>28.11.07</td> </tr> <tr> <td colspan="3">COMMENTS:</td> </tr> </tbody> </table>				NAME	DATE	DRAWN	Dursun Daşdemir	28.11.07	CHECKED	Ali Altınşık	28.11.07	COMMENTS:			 <small>ENCLOSURES FOR ELECTRONICS</small>	CONTACT: www.altinkaya.com.tr
	NAME	DATE														
DRAWN	Dursun Daşdemir	28.11.07														
CHECKED	Ali Altınşık	28.11.07														
COMMENTS:																
MATERIAL:			<h1 style="text-align: center;">Not Included</h1>													
WEIGHT:																
SCALE: 2:1			TITLE: <h2 style="text-align: center;">DM-020 PCB sample</h2>													
SHEET 1 OF 1			A3 													