

ITEM NO.	PART NUMBER	DESCRIPTION	QTY.
1	DT-255-P-2-11158	DT 255 Lower Base	1
2	DT-255-P-1-11157	DT 255 Upper body	1
3	DT-255-P-3-11159	DT 255 Top Panel	1
4	DT-255 PCB sample	Not Included	1
5	A-624-0-0-M-0-10461	2,9 x 25 mm YHB SC Metallic Screw	4

PROPRIETARY AND CONFIDENTIAL
THE INFORMATION CONTAINED IN THIS DRAWING IS THE SOLE PROPERTY OF ALTINKAYA ENCLOSURES. ANY REPRODUCTION IN PART OR AS A WHOLE WITHOUT THE WRITTEN PERMISSION OF ALTINKAYA ENCLOSURES IS PROHIBITED.

ARTICLE NO: _____ REVISION: _____

ALTINKAYA
ENCLOSURES FOR ELECTRONICS

CONTACT: www.altinkaya.com.tr

DRAWN: _____ DATE: _____

CHECKED: _____

COMMENTS: _____

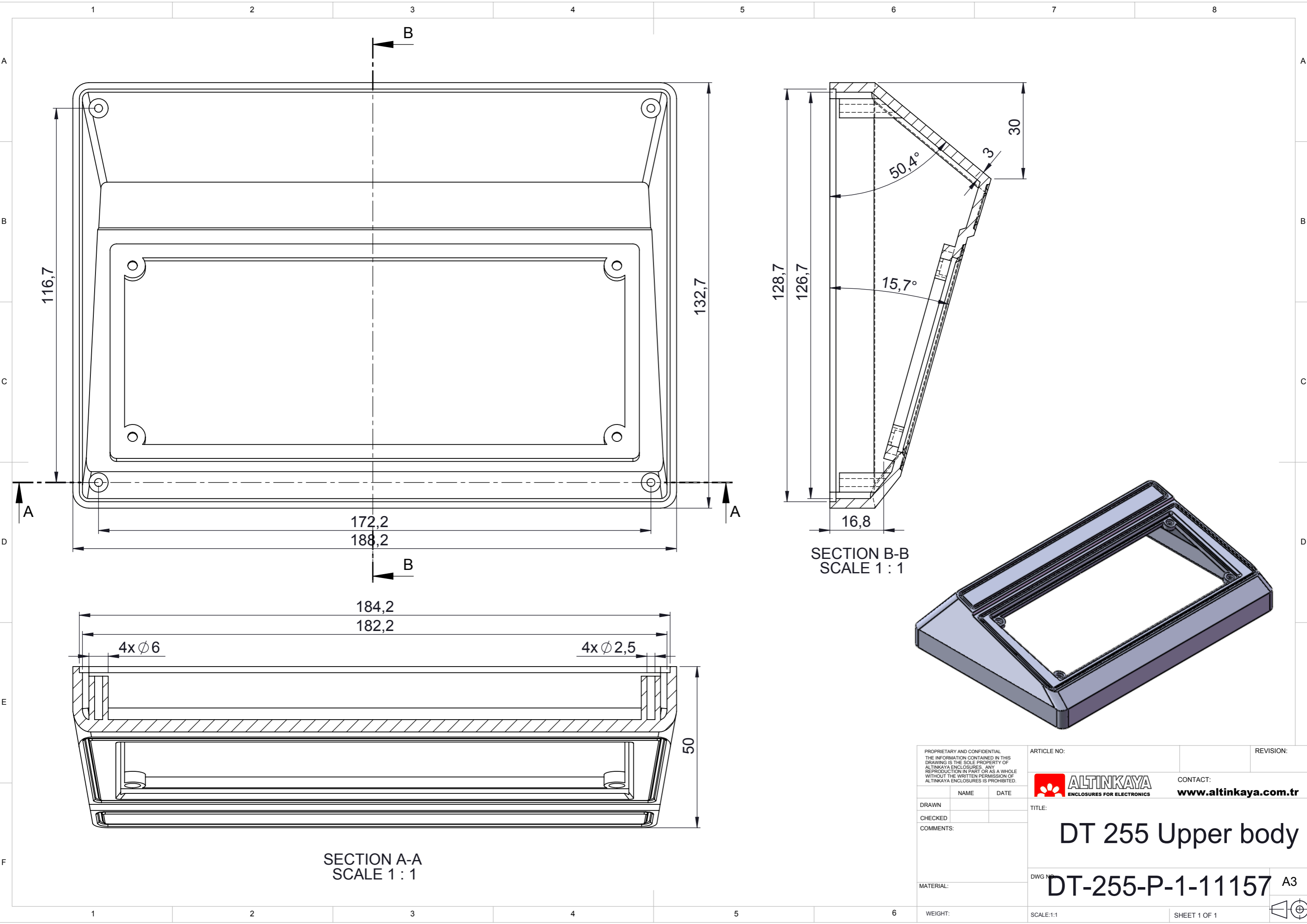
TITLE: **DT 255 Desktop Enclosure**


DWG NO: **DT-255-0-0-11155** A3

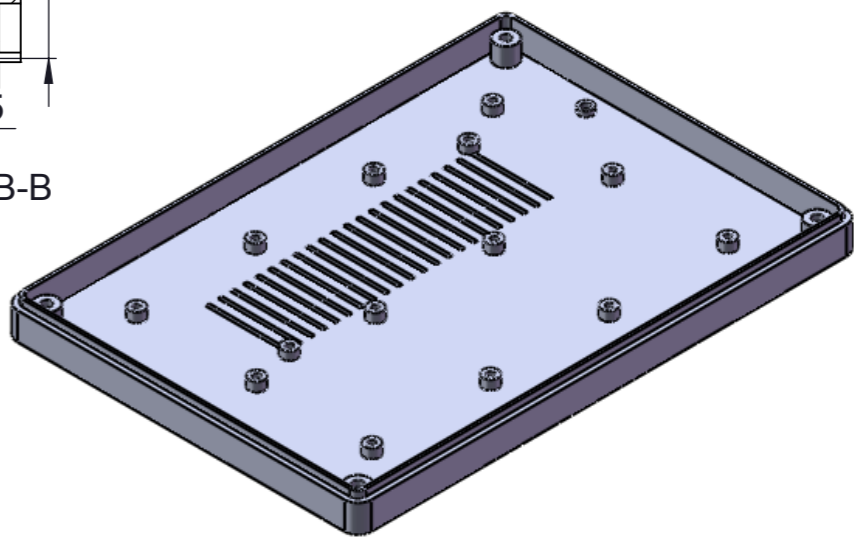
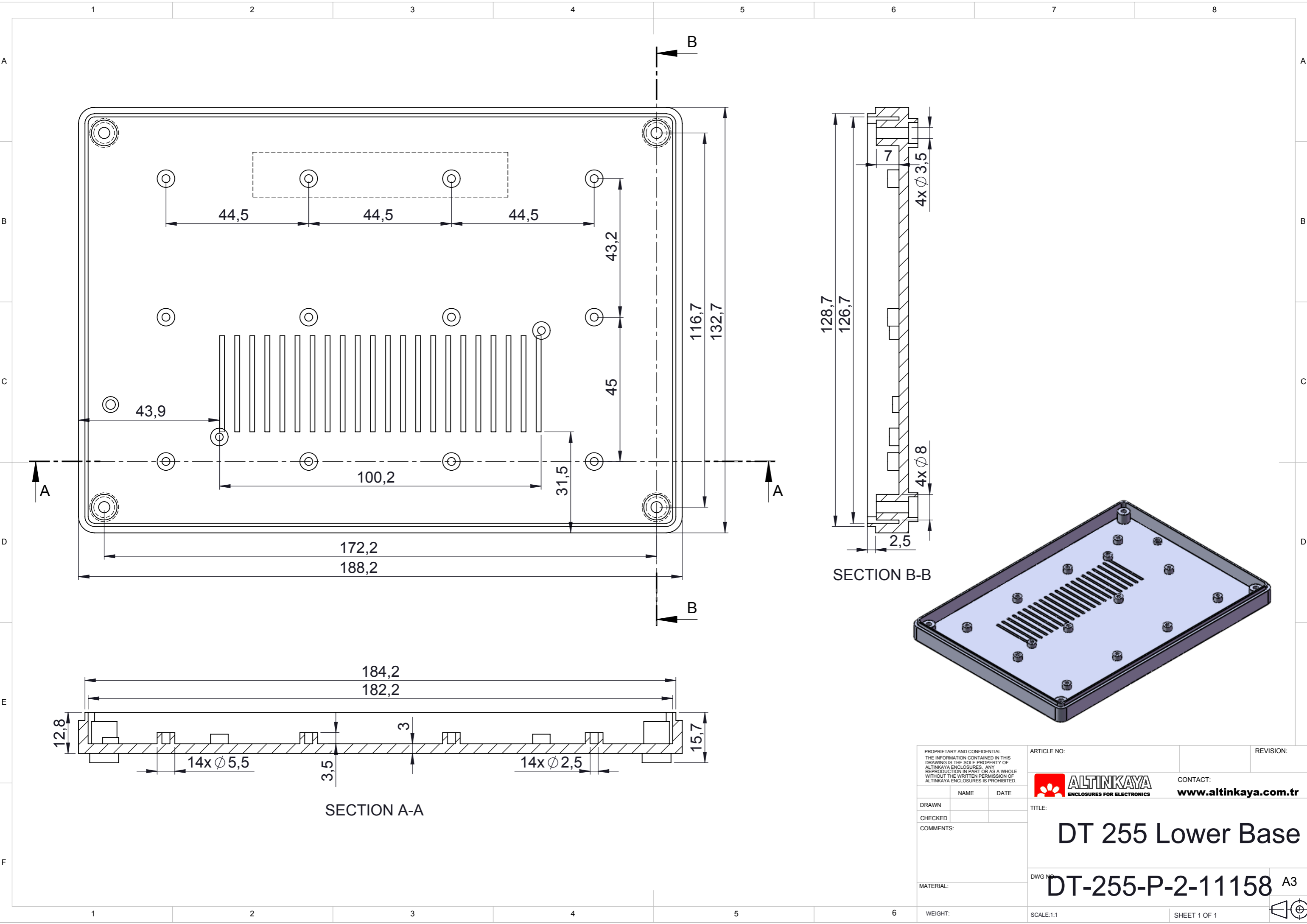
MATERIAL: _____


WEIGHT: _____

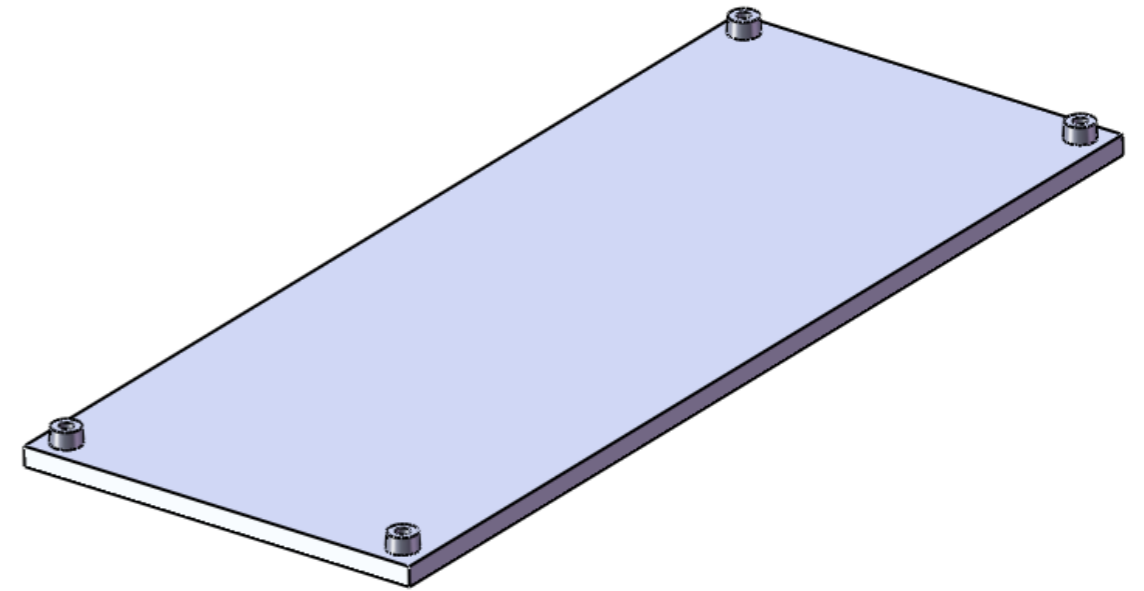
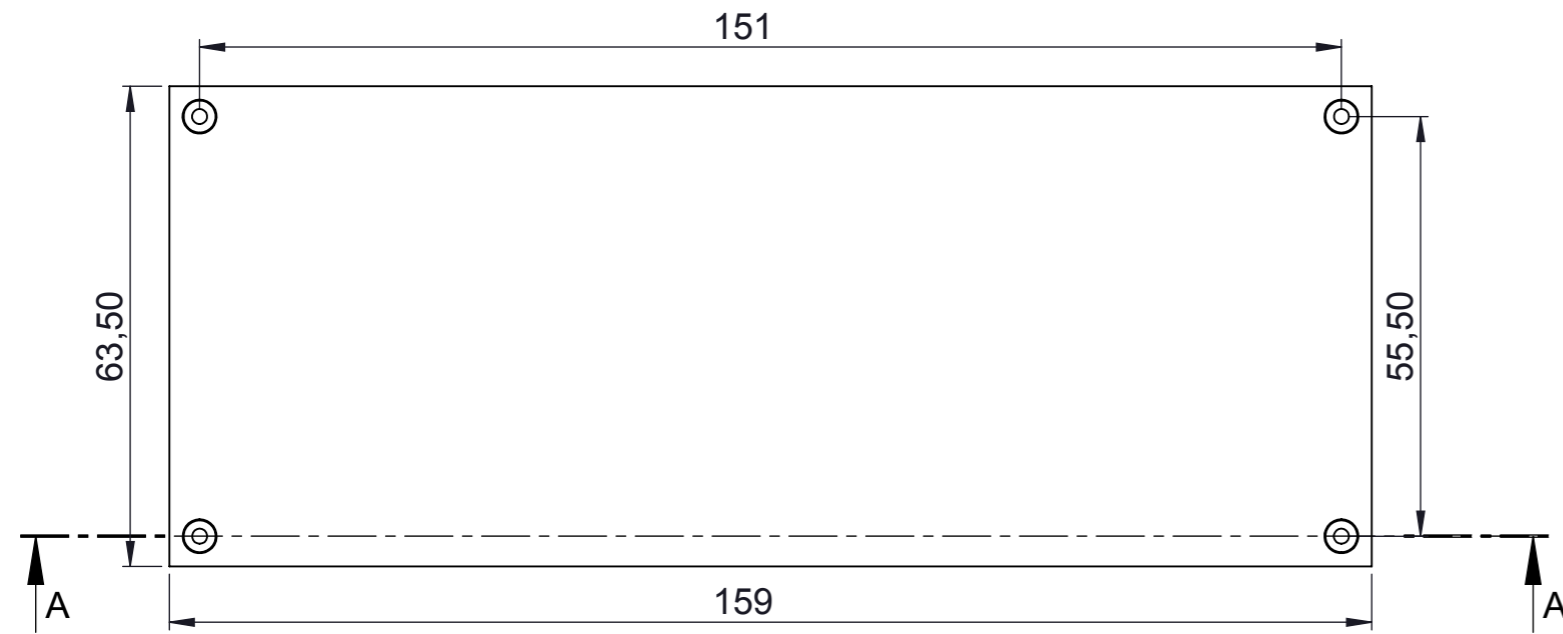
SCALE: 1:1 SHEET 1 OF 1




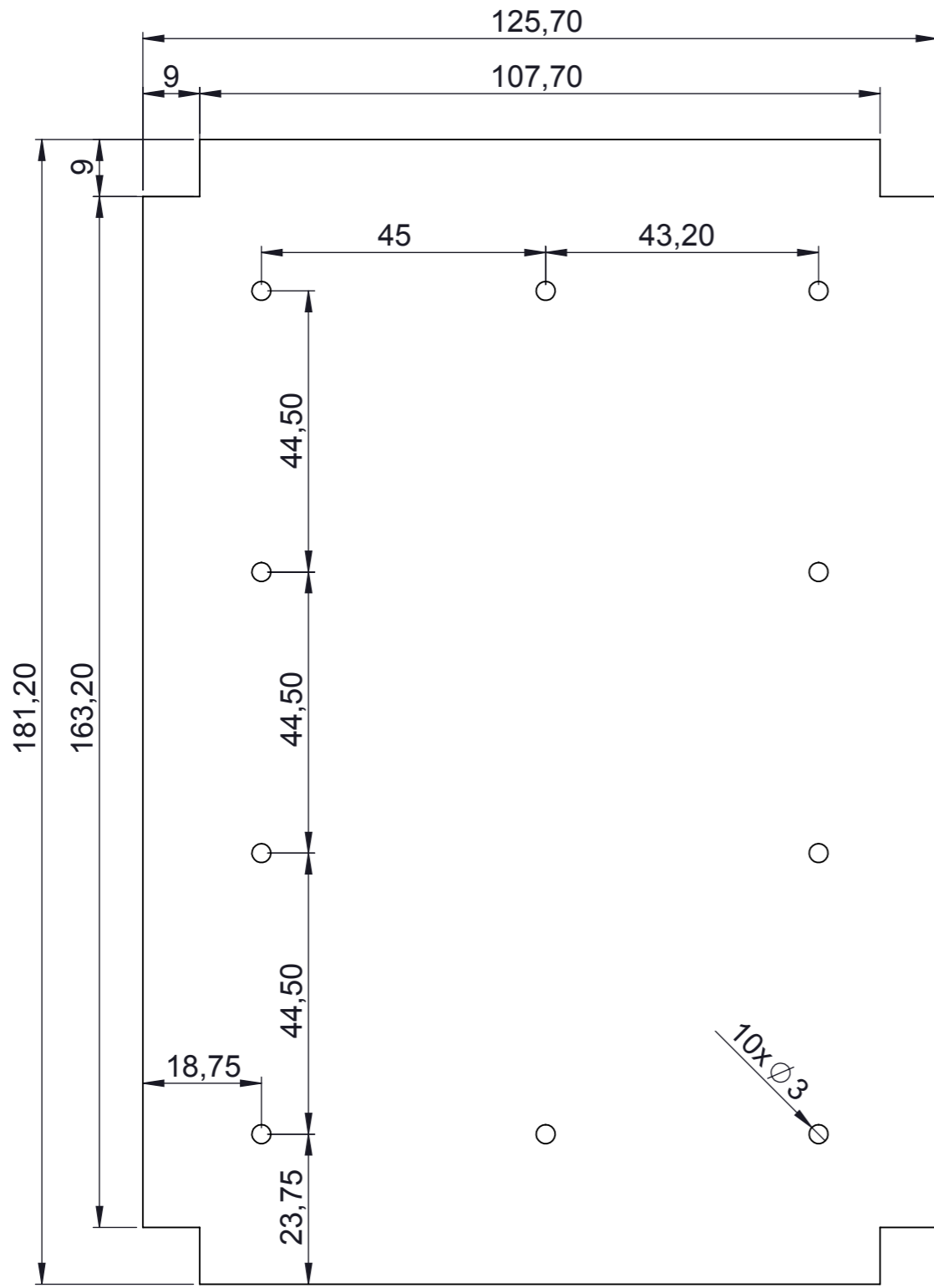
<small>PROPRIETARY AND CONFIDENTIAL THE INFORMATION CONTAINED IN THIS DRAWING IS THE SOLE PROPERTY OF ALTINKAYA ENCLOSURES. ANY REPRODUCTION IN PART OR AS A WHOLE WITHOUT THE WRITTEN PERMISSION OF ALTINKAYA ENCLOSURES IS PROHIBITED.</small>		ARTICLE NO:	REVISION:
<small>DRAWN</small> <small>CHECKED</small> <small>COMMENTS:</small>		 ALTINKAYA ENCLOSURES FOR ELECTRONICS	<small>CONTACT:</small> www.altinkaya.com.tr
<small>MATERIAL:</small>		<small>TITLE:</small> <h1>DT 255 Upper body</h1>	
<small>WEIGHT:</small>		<small>DWG NO:</small> <h2>DT-255-P-1-11157</h2>	<small>A3</small>
<small>SCALE:1:1</small>		<small>SHEET 1 OF 1</small>	




<small>PROPRIETARY AND CONFIDENTIAL THE INFORMATION CONTAINED IN THIS DRAWING IS THE SOLE PROPERTY OF ALTINKAYA ENCLOSURES. ANY REPRODUCTION IN PART OR AS A WHOLE WITHOUT THE WRITTEN PERMISSION OF ALTINKAYA ENCLOSURES IS PROHIBITED.</small>		ARTICLE NO:	REVISION:
<small>DRAWN</small> <small>CHECKED</small> <small>COMMENTS:</small>		 ALTINKAYA ENCLOSURES FOR ELECTRONICS	<small>CONTACT:</small> www.altinkaya.com.tr
<small>MATERIAL:</small>		<small>TITLE:</small> <h1>DT 255 Lower Base</h1>	
<small>WEIGHT:</small>		<small>DWG NO:</small> <h2>DT-255-P-2-11158</h2>	<small>A3</small>
<small>SCALE:1:1</small>		<small>SHEET 1 OF 1</small>	



<small>PROPRIETARY AND CONFIDENTIAL THE INFORMATION CONTAINED IN THIS DRAWING IS THE SOLE PROPERTY OF ALTINKAYA ENCLOSURES. ANY REPRODUCTION IN PART OR AS A WHOLE WITHOUT THE WRITTEN PERMISSION OF ALTINKAYA ENCLOSURES IS PROHIBITED.</small>		ARTICLE NO:	REVISION:
<small>DRAWN</small> <small>CHECKED</small> <small>COMMENTS:</small>		 ALTINKAYA <small>ENCLOSURES FOR ELECTRONICS</small>	<small>CONTACT:</small> www.altinkaya.com.tr
<small>MATERIAL:</small>		<small>TITLE:</small> <h1>DT 255 Top Panel</h1>	
<small>WEIGHT:</small>		<small>DWG NO:</small> <h1>DT-255-P-3-11159</h1>	<small>A3</small>
<small>SCALE:1:1</small>		<small>SHEET 1 OF 1</small>	



<small>PROPRIETARY AND CONFIDENTIAL THE INFORMATION CONTAINED IN THIS DRAWING IS THE SOLE PROPERTY OF ALTINKAYA ENCLOSURES. ANY REPRODUCTION IN PART OR AS A WHOLE WITHOUT THE WRITTEN PERMISSION OF ALTINKAYA ENCLOSURES IS PROHIBITED.</small>		ARTICLE NO:	REVISION:
<small>DRAWN</small> <small>CHECKED</small> <small>COMMENTS:</small>		 ALTINKAYA ENCLOSURES FOR ELECTRONICS	<small>CONTACT:</small> www.altinkaya.com.tr
<small>MATERIAL:</small>		<h1>Not Included</h1>	
<small>WEIGHT:</small>		<small>DWG NO:</small> <h2>DT-255 PCB sample</h2>	<small>SCALE:</small> 1:1 <small>SHEET</small> 1 OF 1

