
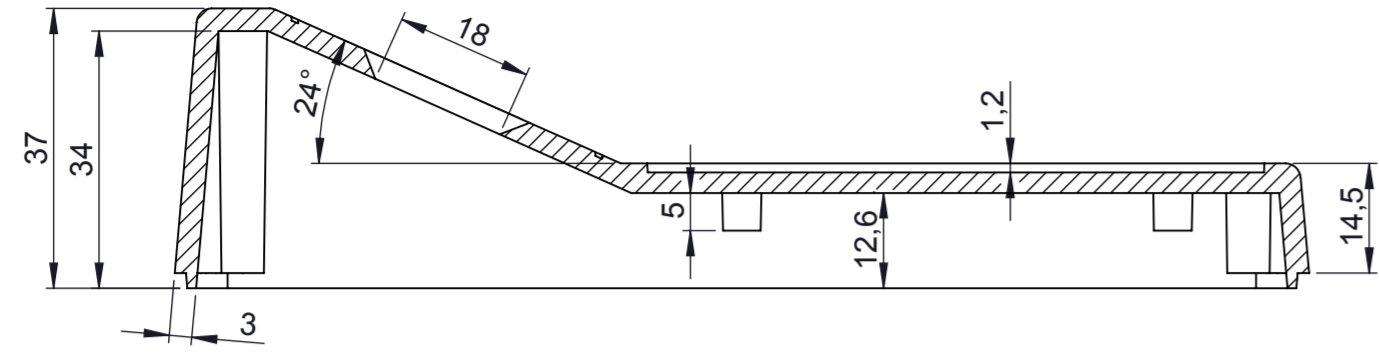
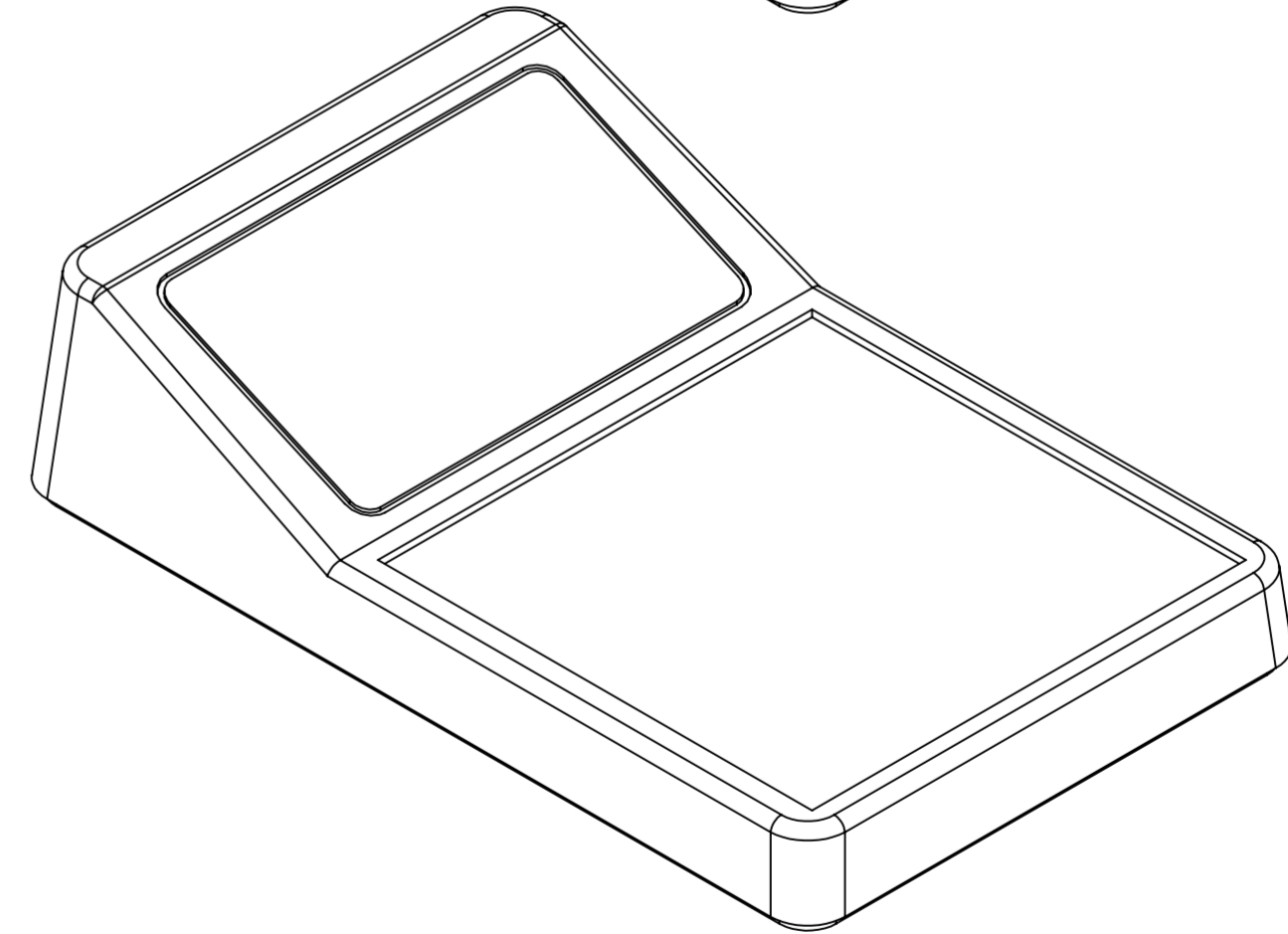
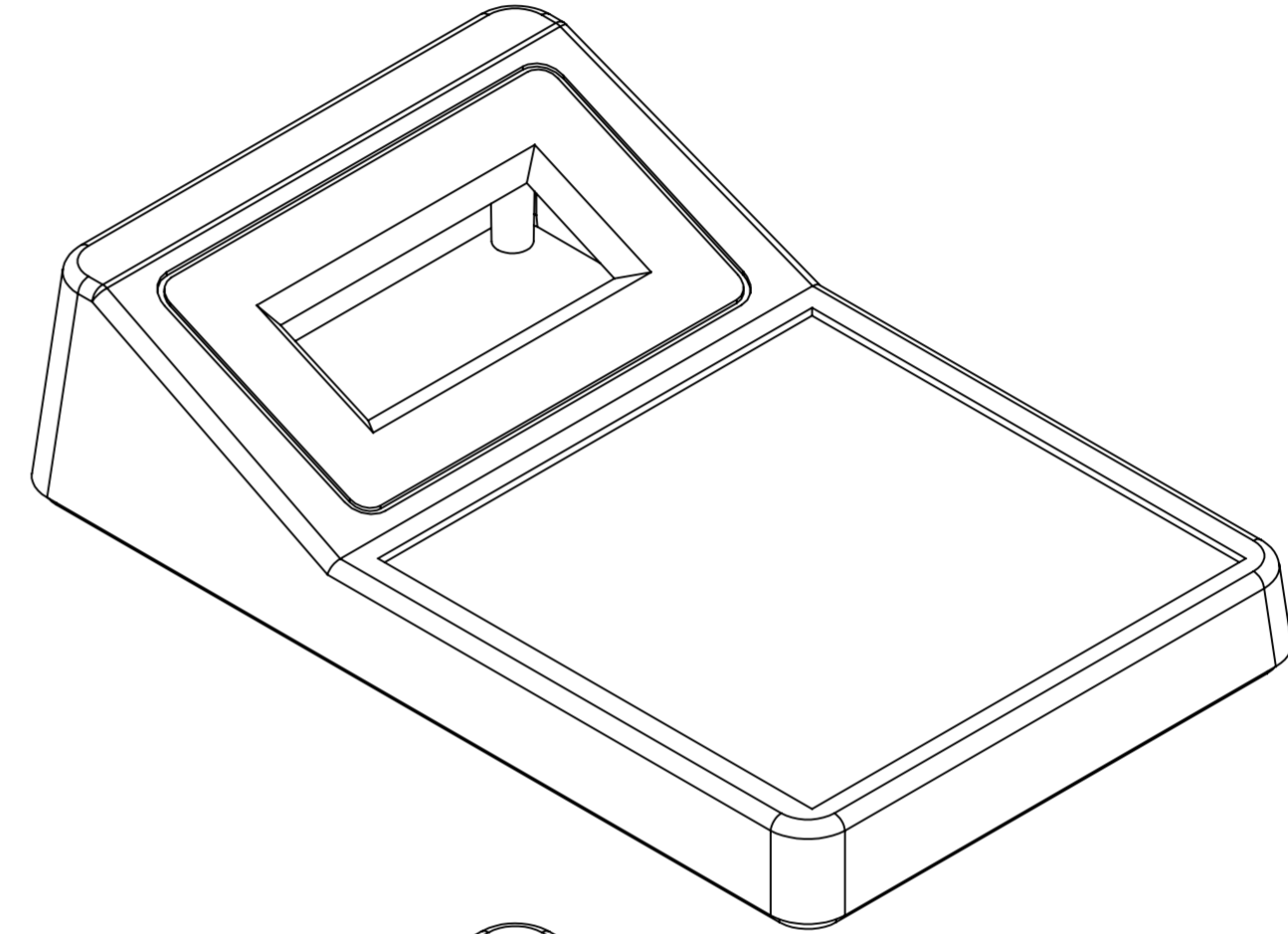
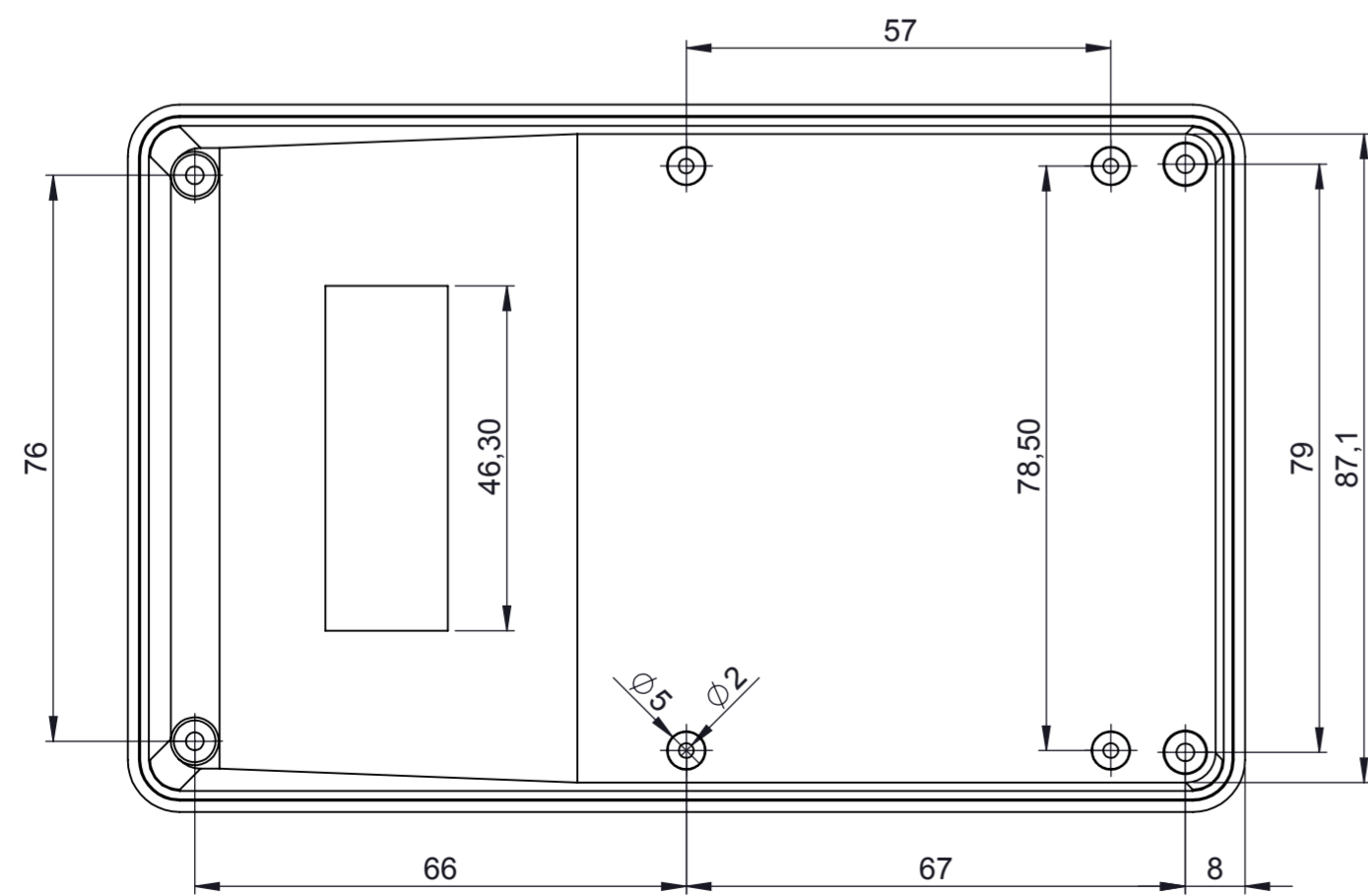
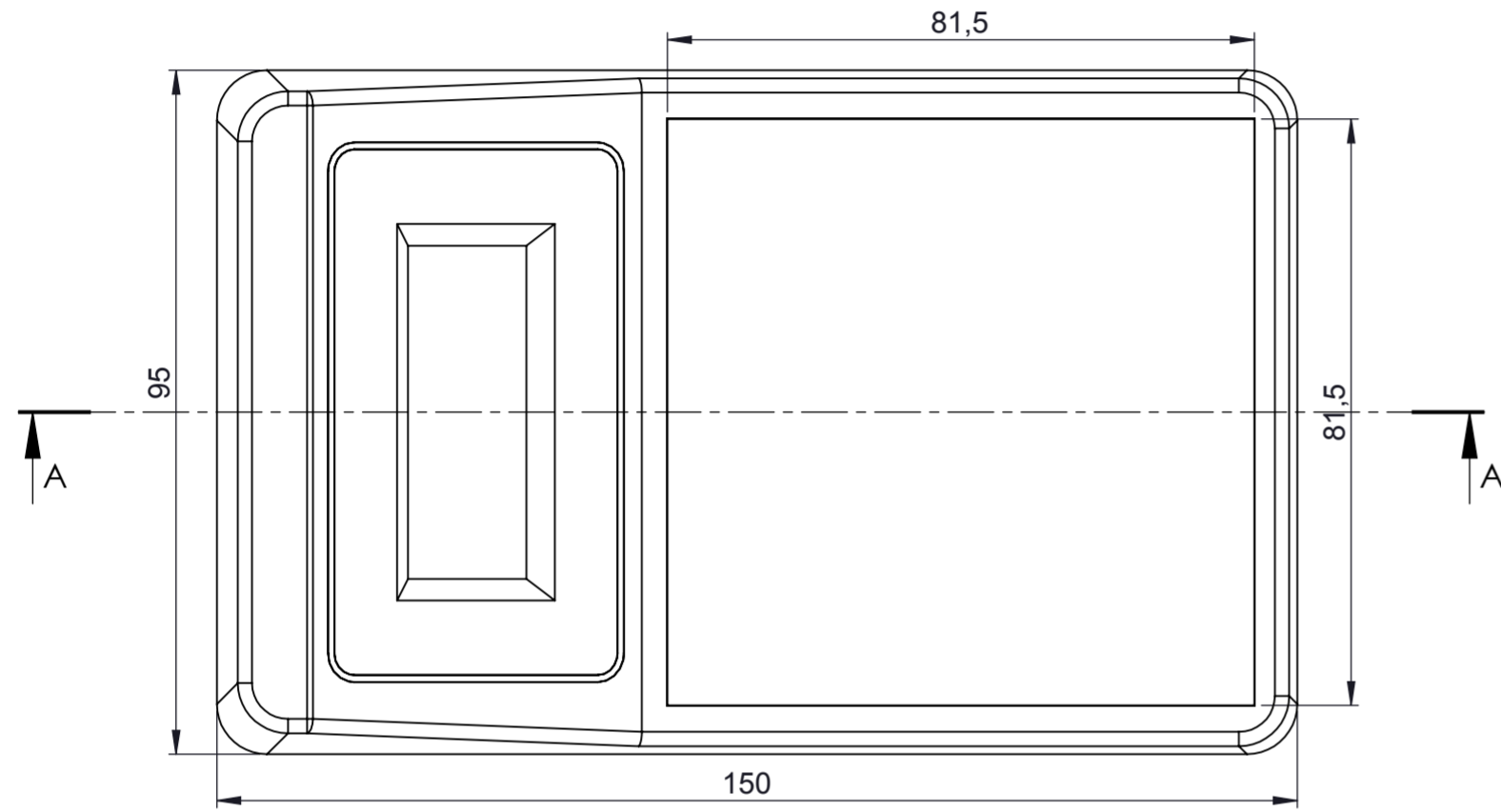
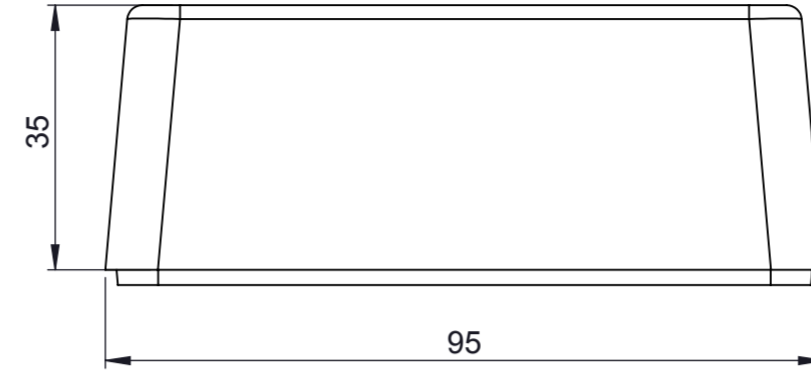


PROPRIETARY AND CONFIDENTIAL THE INFORMATION CONTAINED IN THIS DRAWING IS THE SOLE PROPERTY OF ALTINKAYA ENCLOSURES. ANY REPRODUCTION IN PART OR AS A WHOLE WITHOUT THE WRITTEN PERMISSION OF ALTINKAYA ENCLOSURES IS PROHIBITED.			ARTICLE NO.:	REVISION:
DRAWN Dursun Daşdemir 17.05.11 CHECKED Ali Altınışık 17.05.11			 CONTACT: www.altinkaya.com.tr	TITLE:
COMMENTS: This drawing is subject to technical modification without prior notice. Typographical and other errors do not justify any claims for damages. All dimensions should be verified using an actual produced part.			<h1>Assembly</h1>	
MATERIAL:			DWG NO. DT-090-0-0-G-0	A3
WEIGHT:			SCALE:1:1	SHEET OF

DİKKAT: BU RESİM VE ÜRÜN ÖNCEDEN
 HABER VERİLMEKSİZİN DEĞİŞTİRİLEBİLİR.
 RESİM ÇİZİLİRKEN HATASIZ OLMASINA
 ÇALIŞILMASINA RAĞMEN RESİMDEKİ
 HATALARDAN DOLAYI OLUŞABİLECEK
 ZARARLAR İÇİN ALTINKAYA HiÇ BİR
 SORUMLULUK KABUL ETMEZ. BÜTÜN
 ÖLÇÜLER KULLANILMADAN ÖNCE
 ÜRETİLMİŞ GERÇEK BİR NUMUNEDEN
 KONTROL EDİLMELİDİR.



KESIT A-A



PROPRIETARY AND CONFIDENTIAL
THE INFORMATION CONTAINED IN THIS
DRAWING IS THE SOLE PROPERTY OF
ALTINKAYA ENCLOSURES. ANY
REPRODUCTION IN PART OR AS A WHOLE
WITHOUT THE WRITTEN PERMISSION OF
ALTINKAYA ENCLOSURES IS PROHIBITED.

ARTICLE NO: **ALTINKAYA** CONTACT: **www.altinkaya.com.tr**
ENCLOSURES FOR ELECTRONICS

	NAME	DATE
DRAWN	Dursun Dagdemir	17.05.11
CHECKED	Ali Altinçik	17.05.11

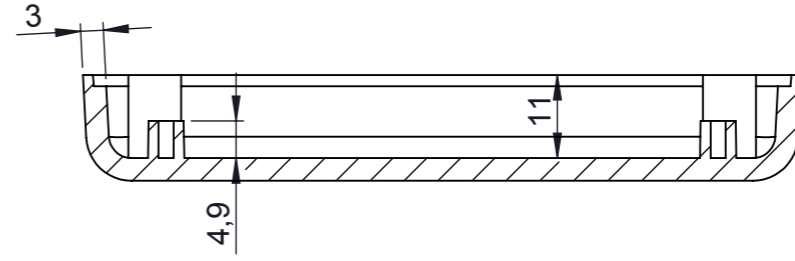
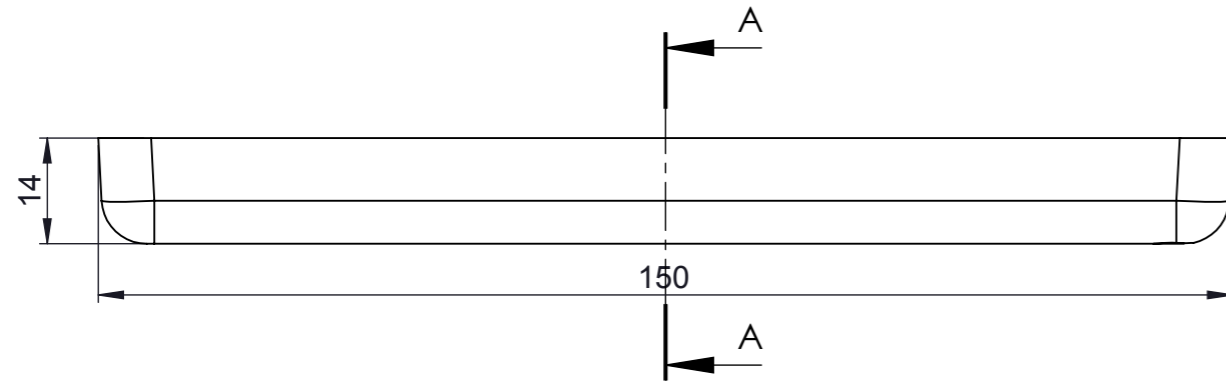
COMMENTS: This drawing is subject to
technical modification without prior notice.
Typographical and other errors do not
justify any claims for damages. All
dimensions should be verified using an
actual produced part.

MATERIAL:

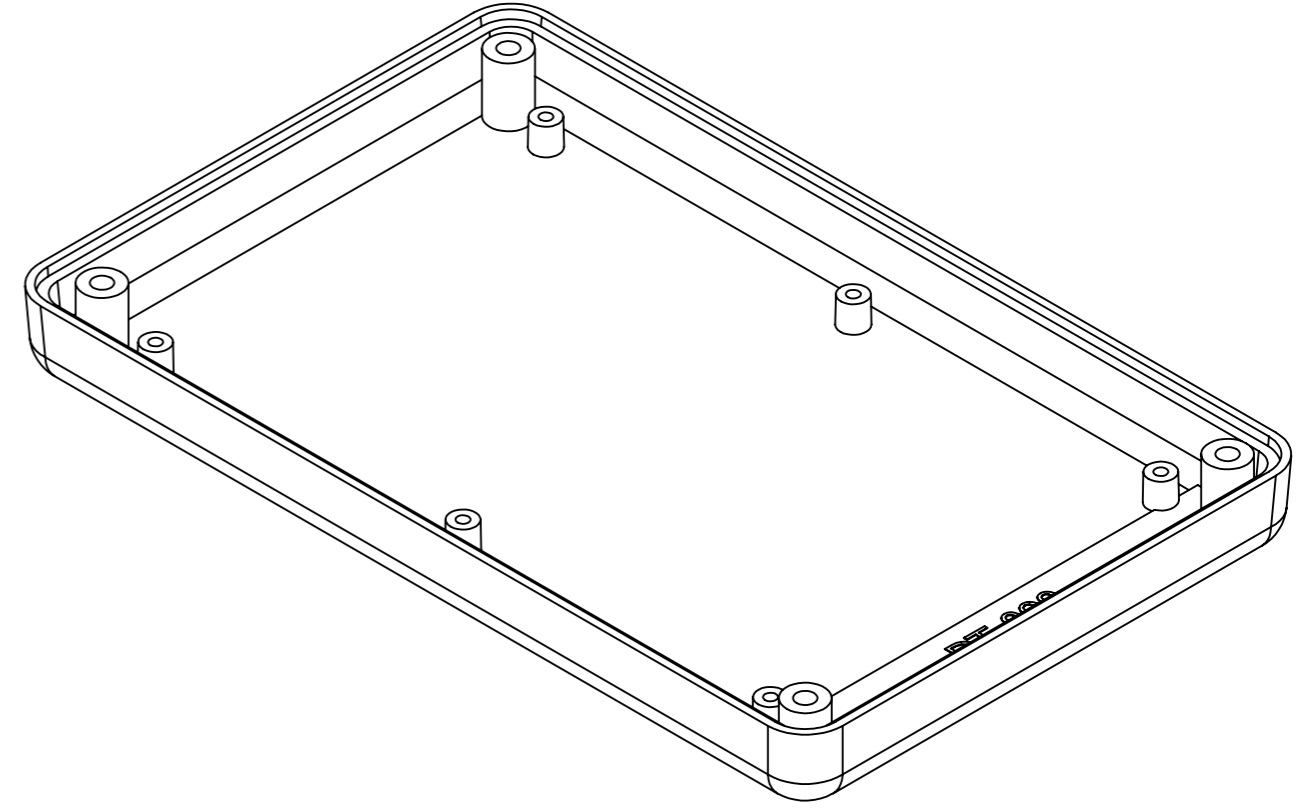
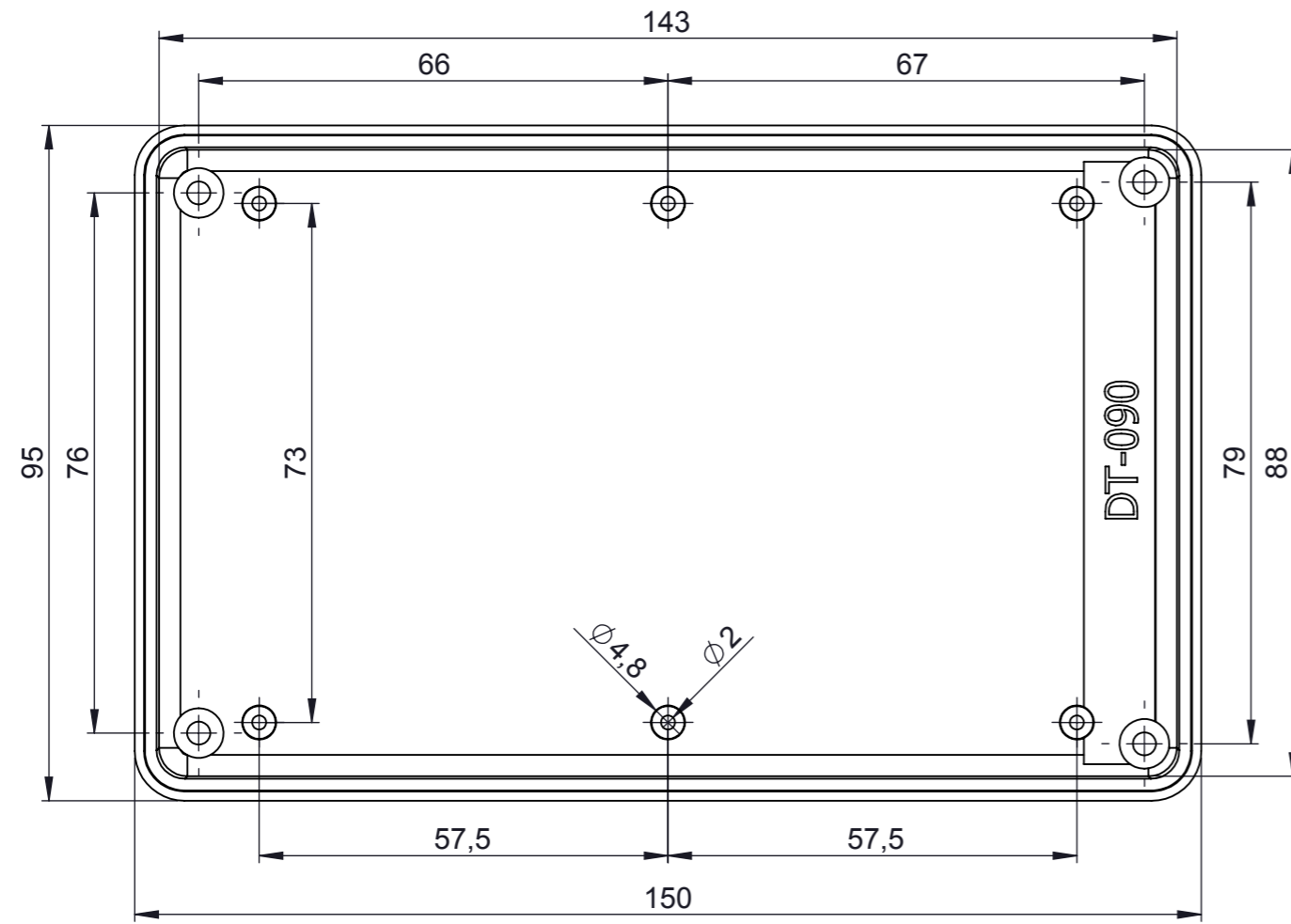
WEIGHT:

TITLE:		REVISION:
Cover		
DWG NO:	DT-090P-1	A2
SCALE: 1:1	SHEET OF	


DİKKAT: BU RESİM VE ÜRÜN ÖNCEDEN
HABER VERİLMEKSİZİN DEĞİSTİREBİLİR.
RESİM ÇİZİLMİŞ HATA SİZİN OLMASINA
ÇALIŞILMASINA RAĞMEN RESİMDE
HATALAR BULUNABİLİR. RESİMDEKİ
HATALARDAN DOLAYI OLUŞABİLECEK
ZARARLAR İÇİN ALTINKAYA HİÇ BİR
SORUMLULUK KABUL ETMEZ. BÜTÜN
ÖLÇÜLER KULLANILMADAN ÖNCE
ÜRETİLMİŞ GERÇEK BİR NÜMUNEDEN
KONTROL EDİLMELİDİR.



KESIT A-A



DIKKAT: BU RESİM VE ÜRÜN ÖNCEDEN HABER VERİLMEKSİZİN DEĞİŞTİRİLEBİLİR. RESİM ÇİZİLİRKEN HATASIZ OLMASINA ÇALIŞILMASINA RAĞMEN RESİMDEKİ HATALAR BULUNABİLİR. RESİMDEKİ HATALARDAN DOLAYI OLUŞABİLECEK ZARARLAR İÇİN ALTINKAYA HiÇ BİR SORUMLULUK KABUL ETMEZ. BÜTÜN ÖLÇÜLER KULLANILMADAN ÖNCE ÜRETİLMİŞ GERÇEK BİR NUMUNEDEN KONTROL EDİLMELİDİR.

PROPRIETARY AND CONFIDENTIAL. THE INFORMATION CONTAINED IN THIS DRAWING IS THE SOLE PROPERTY OF ALTINKAYA ENCLOSURES. ANY REPRODUCTION IN PART OR AS A WHOLE WITHOUT THE WRITTEN PERMISSION OF ALTINKAYA ENCLOSURES IS PROHIBITED.		ARTICLE NO:	REVISION:
DRAWN Dursun Daşdemir 17.05.11 CHECKED Ali Altınışık 17.05.11		 CONTACT: www.altinkaya.com.tr	TITLE:
COMMENTS: This drawing is subject to technical modification without prior notice. Typographical and other errors do not justify any claims for damages. All dimensions should be verified using an actual produced part.		<h1>Base</h1>	
MATERIAL:		DWG NO. DT-090-P-2	A3
WEIGHT:		SCALE:1:1	SHEET OF