

SECTION A-A

ITEM NO.	PART NUMBER	DESCRIPTION	QTY.
1	DT-140-P-2-11190	DT 140 Lower body	1
2	A-99-0-0-G-0-11182	Plastic Battery Cover	1
3	DT-140-P-1-11188	DT-140 Cover Body	1

PROPRIETARY AND CONFIDENTIAL
THE INFORMATION CONTAINED IN THIS
DRAWING IS THE SOLE PROPERTY OF
ALTINKAYA ENCLOSURES. ANY
REPRODUCTION IN PART OR AS A WHOLE
WITHOUT THE WRITTEN PERMISSION OF
ALTINKAYA ENCLOSURES IS PROHIBITED.

NAME	DATE
Dursun Daşdemir	

CHECKED	NAME
	Ali Altınışık

COMMENTS:

MATERIAL:

WEIGHT:

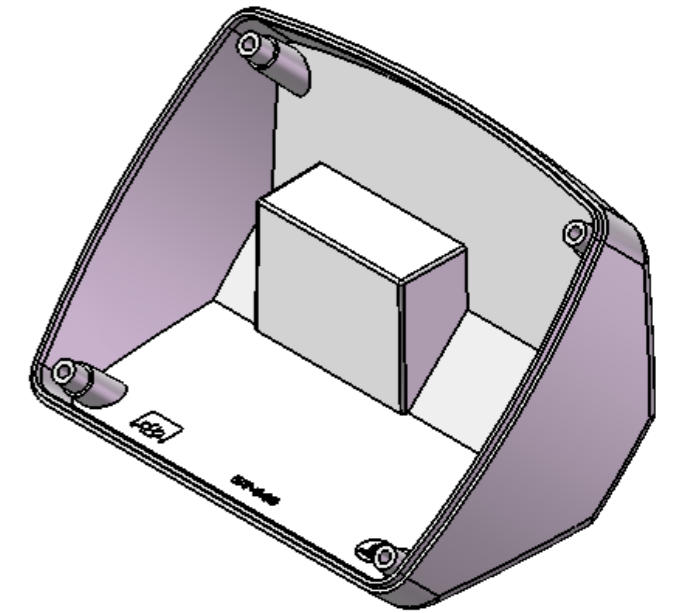
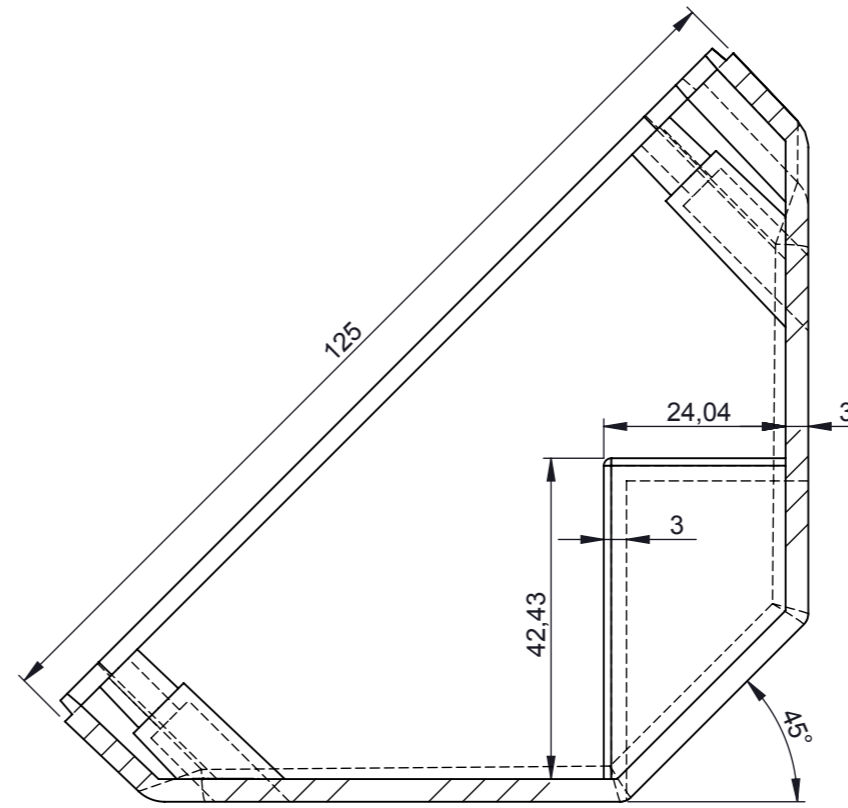
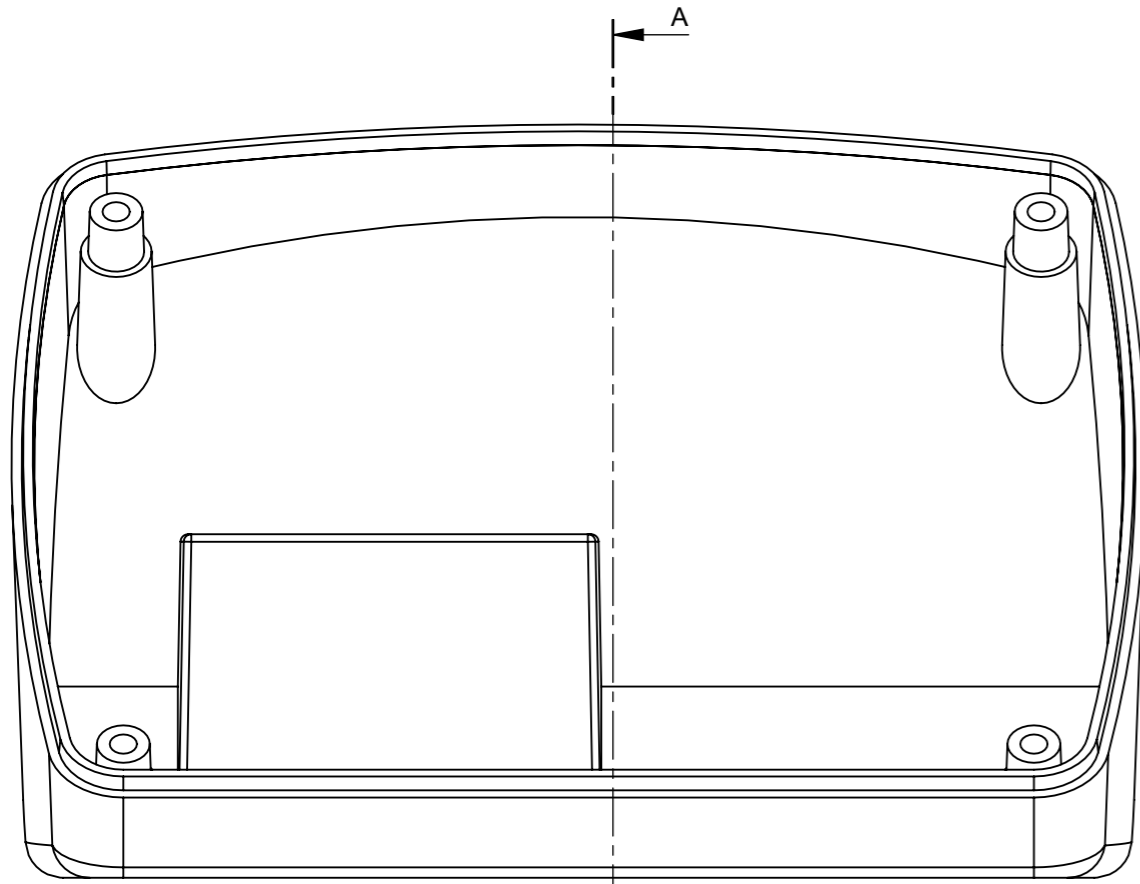
ARTICLE NO. _____ REVISION: _____

ALTINKAYA
ENCLOSURES FOR ELECTRONICS
CONTACT: www.altinkaya.com.tr

TITLE:
DT 140 Desktop Enclosure

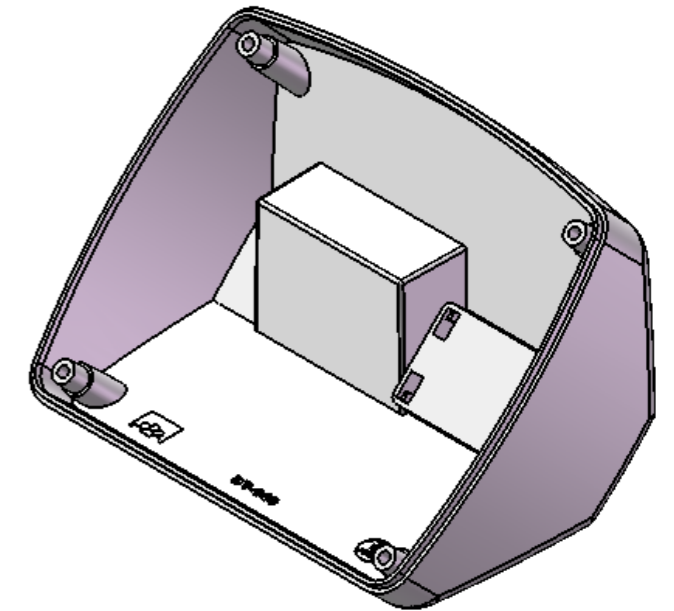
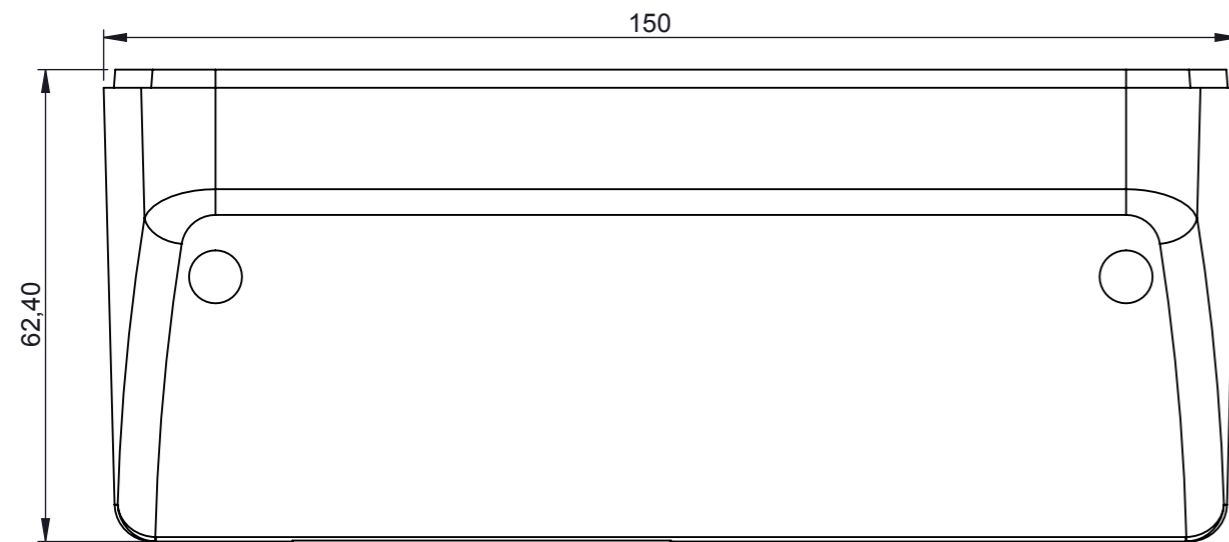
DWG NO. **DT-140-0-0-11184** A3

SCALE:1:1 SHEET 1 OF 1





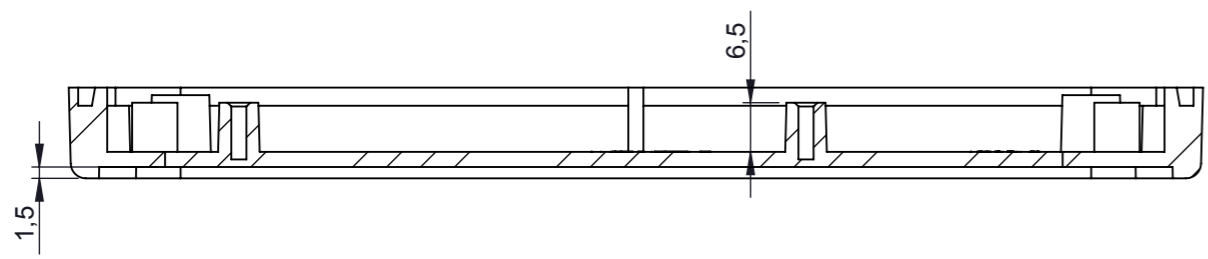
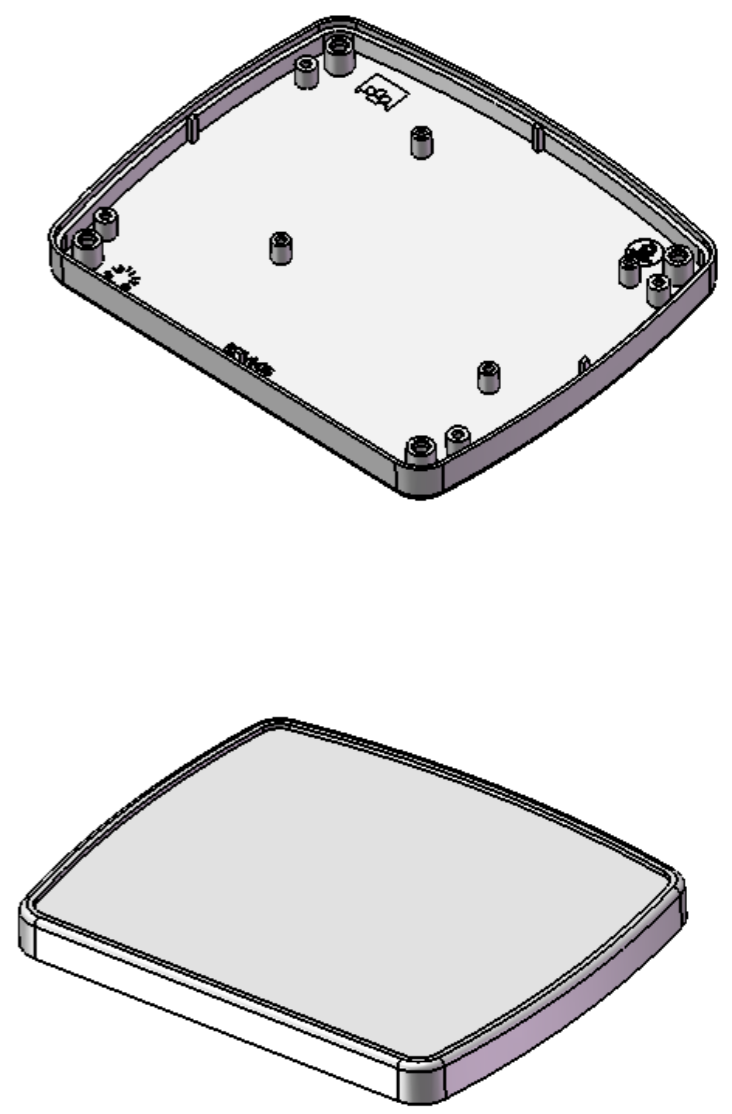
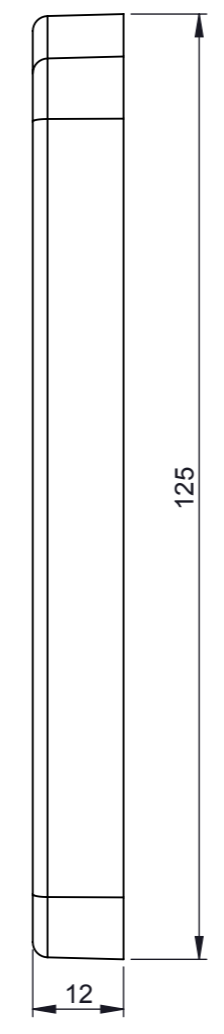
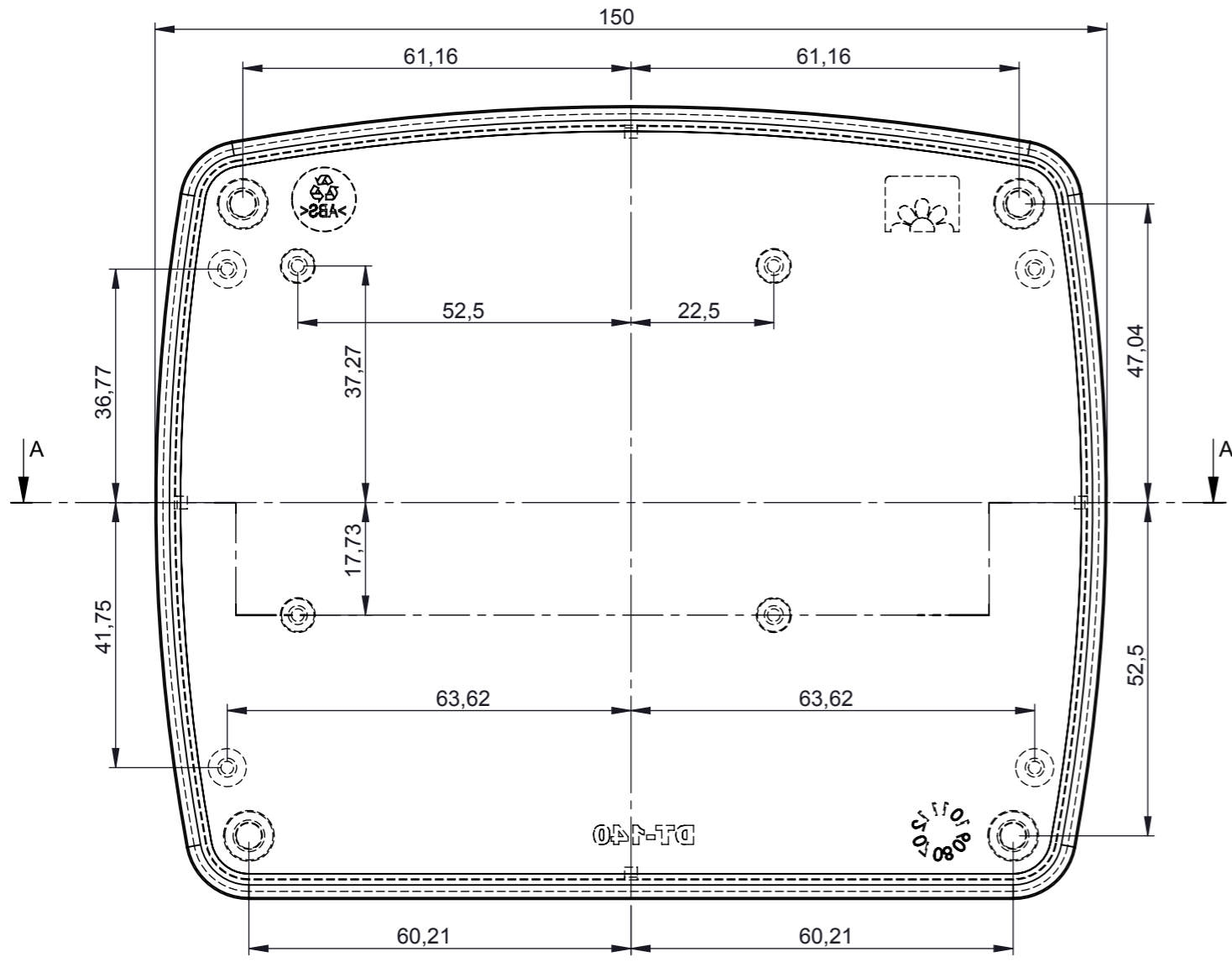
DT-140

SECTION A-A




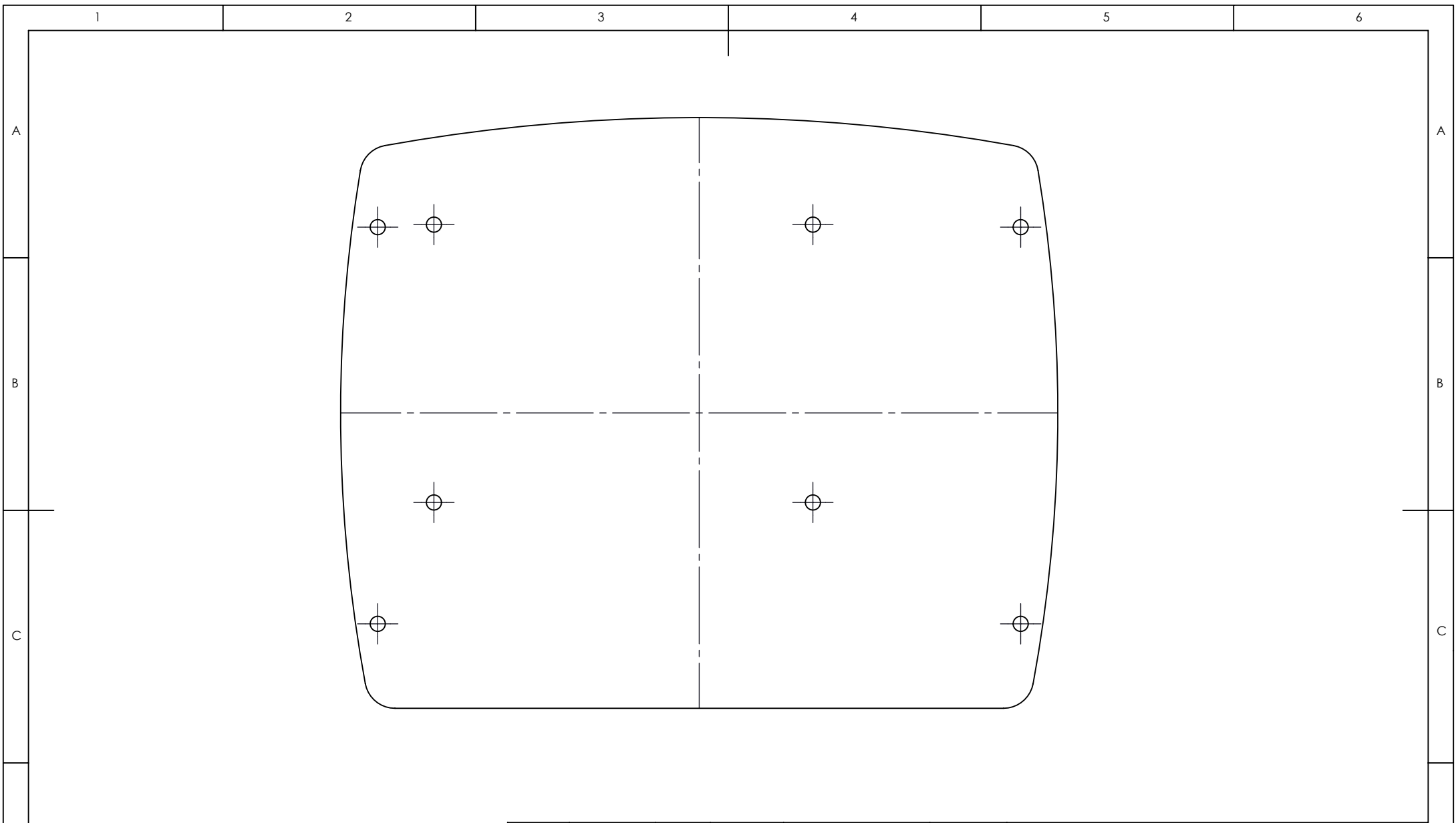
DT-140-A


<small>PROPRIETARY AND CONFIDENTIAL THE INFORMATION CONTAINED IN THIS DRAWING IS THE SOLE PROPERTY OF ALTINKAYA ENCLOSURES. ANY REPRODUCTION IN PART OR AS A WHOLE WITHOUT THE WRITTEN PERMISSION OF ALTINKAYA ENCLOSURES IS PROHIBITED.</small>		ARTICLE NO.:	REVISION:
<small>DRAWN</small> Dursun Daşdemir		 <small>ENCLOSURES FOR ELECTRONICS</small>	<small>CONTACT:</small> www.altinkaya.com.tr
<small>CHECKED</small> Ali Altınışık		<small>TITLE:</small> DT-140 Lower Body	
<small>COMMENTS:</small>		<small>DWG NO.</small>	DT-140-P-2-11190
<small>MATERIAL:</small>		<small>SCALE:</small> 1:1	A3
<small>WEIGHT:</small>		<small>SHEET</small> 1 OF 1	



SECTION A-A

<small>PROPRIETARY AND CONFIDENTIAL. THE INFORMATION CONTAINED IN THIS DRAWING IS THE SOLE PROPERTY OF ALTINKAYA ENCLOSURES. ANY REPRODUCTION IN PART OR AS A WHOLE WITHOUT THE WRITTEN PERMISSION OF ALTINKAYA ENCLOSURES IS PROHIBITED.</small>		ARTICLE NO.:	REVISION:						
<table border="1"> <tr> <th>NAME</th> <th>DATE</th> </tr> <tr> <td>Dursun Daşdemir</td> <td></td> </tr> <tr> <td>Ali Altınışık</td> <td></td> </tr> </table>		NAME	DATE	Dursun Daşdemir		Ali Altınışık			CONTACT: www.altinkaya.com.tr
NAME	DATE								
Dursun Daşdemir									
Ali Altınışık									
<table border="1"> <tr> <td>DRAWN</td> <td>Dursun Daşdemir</td> </tr> <tr> <td>CHECKED</td> <td>Ali Altınışık</td> </tr> <tr> <td>COMMENTS:</td> <td></td> </tr> </table>		DRAWN	Dursun Daşdemir	CHECKED	Ali Altınışık	COMMENTS:		TITLE: DT-140 Cover Body	
DRAWN	Dursun Daşdemir								
CHECKED	Ali Altınışık								
COMMENTS:									
MATERIAL:		DWG NO. DT-140-P-1-11188	A3						
WEIGHT:		SCALE:1:1	SHEET 1 OF 1						



	NAME	DATE	ARTICLE NO:	REVISION:	TITLE:	DT-140 Etiket Cebi	
DRAWN	Dursun Dağdemir						
CHECKED	Ali Altınışık		COMMENTS:	DWG NO.		etiket_cebi	A4
 ALTINKAYA ENCLOSURES FOR ELECTRONICS www.altinkaya.com.tr			DIMENSIONS ARE IN MILLIMETERS. DEBUR AND BREAK SHARP EDGES				
PROPRIETARY AND CONFIDENTIAL <small>THE INFORMATION CONTAINED IN THIS DRAWING IS THE SOLE PROPERTY OF ALTINKAYA ENCLOSURES. ANY REPRODUCTION IN PART OR AS A WHOLE WITHOUT THE WRITTEN PERMISSION OF ALTINKAYA ENCLOSURES IS PROHIBITED.</small>			MATERIAL:		WEIGHT:	SCALE:1:1	SHEET 1 OF 1

