

ITEM NO.	PART NUMBER	DESCRIPTION	QTY.
1	DT-120-P-2-10276	DT 120 Lower body	1
2	DT-120-P-1-10274	DT 120 Upper body	1
3	A-63-0-0-M-0-10296	3x16 YSB PLS Metallic Screw	4
4	DT-120 PCB sample	3x16 YSB PLS Metallic Screw Not Included	1

PROPRIETARY AND CONFIDENTIAL
THE INFORMATION CONTAINED IN THIS DRAWING IS THE SOLE PROPERTY OF ALTINKAYA ENCLOSURES. ANY REPRODUCTION IN PART OR AS A WHOLE WITHOUT THE WRITTEN PERMISSION OF ALTINKAYA ENCLOSURES IS PROHIBITED.

ARTICLE NO: _____ REVISION: _____

ALTINKAYA
ENCLOSURES FOR ELECTRONICS

CONTACT: www.altinkaya.com.tr

DRAWN: Dursun Daşdemir 28.11.07
CHECKED: Ali Altınışık 28.11.07

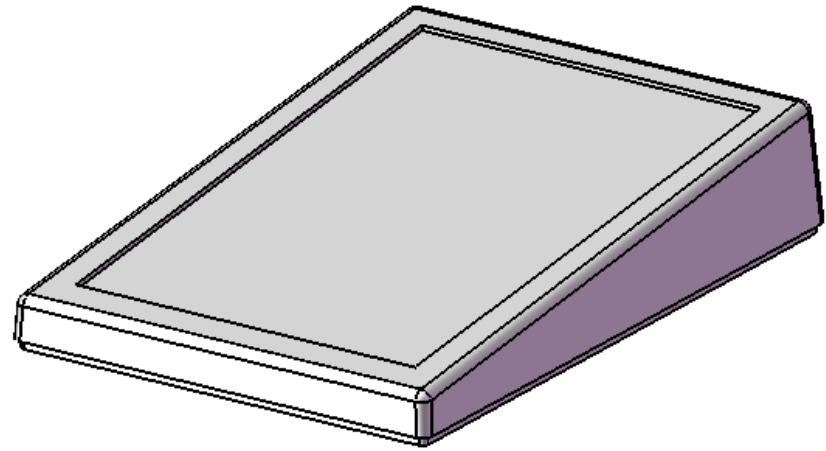
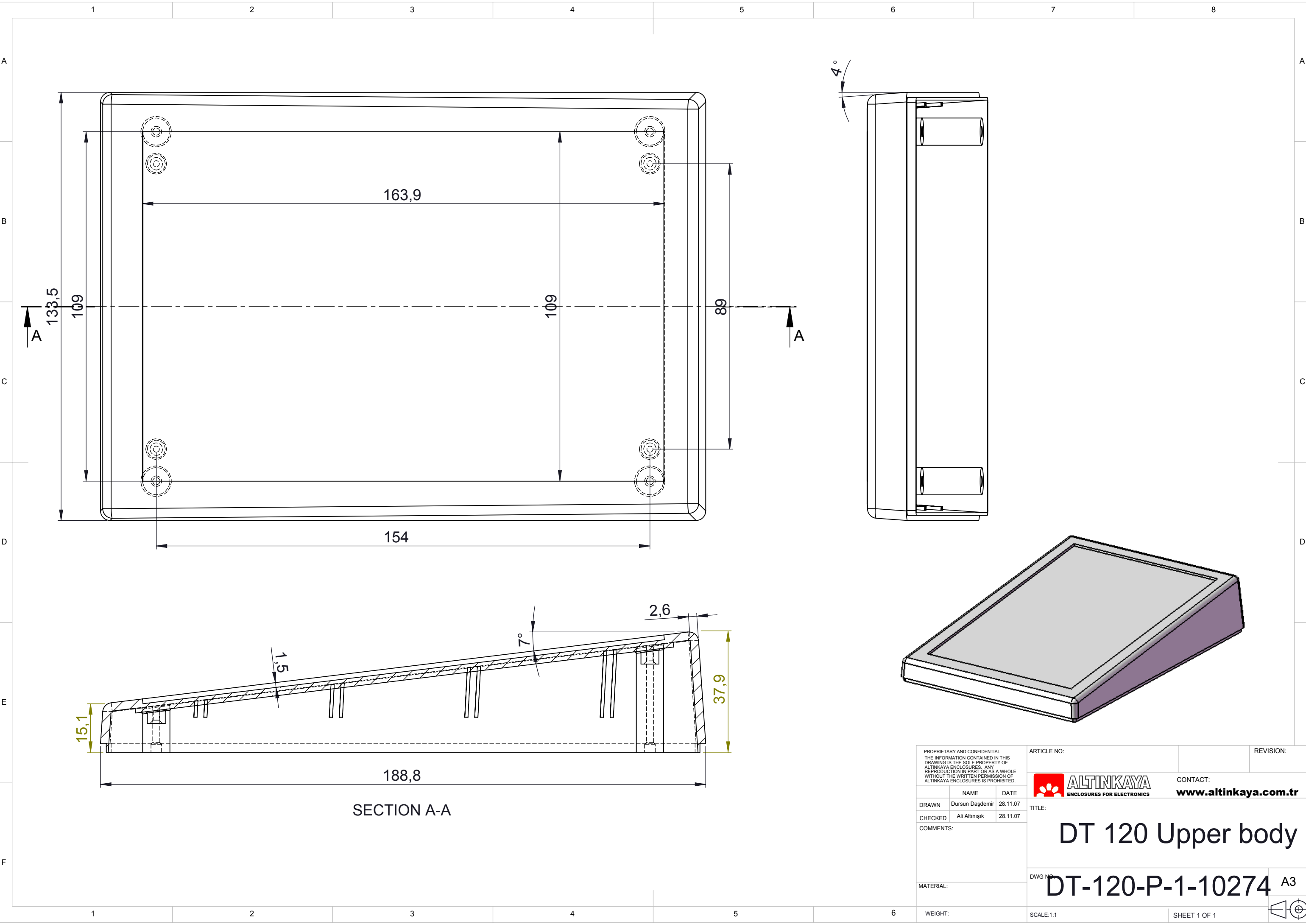
TITLE: **DT 120 Desktop Enclosure**


COMMENTS:

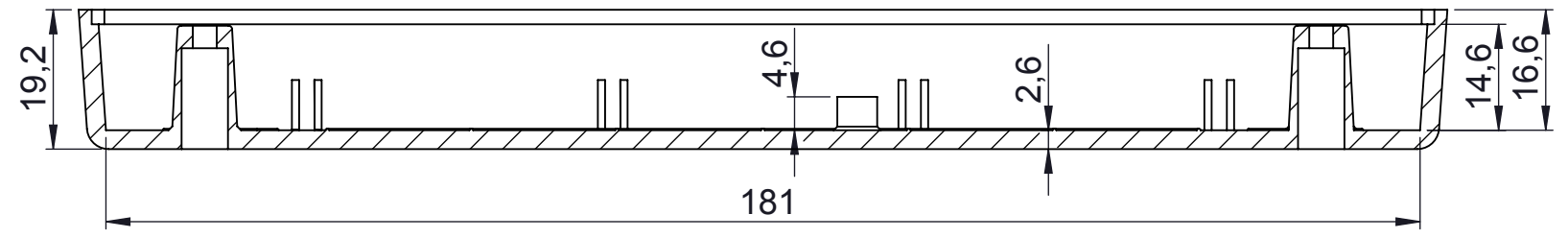
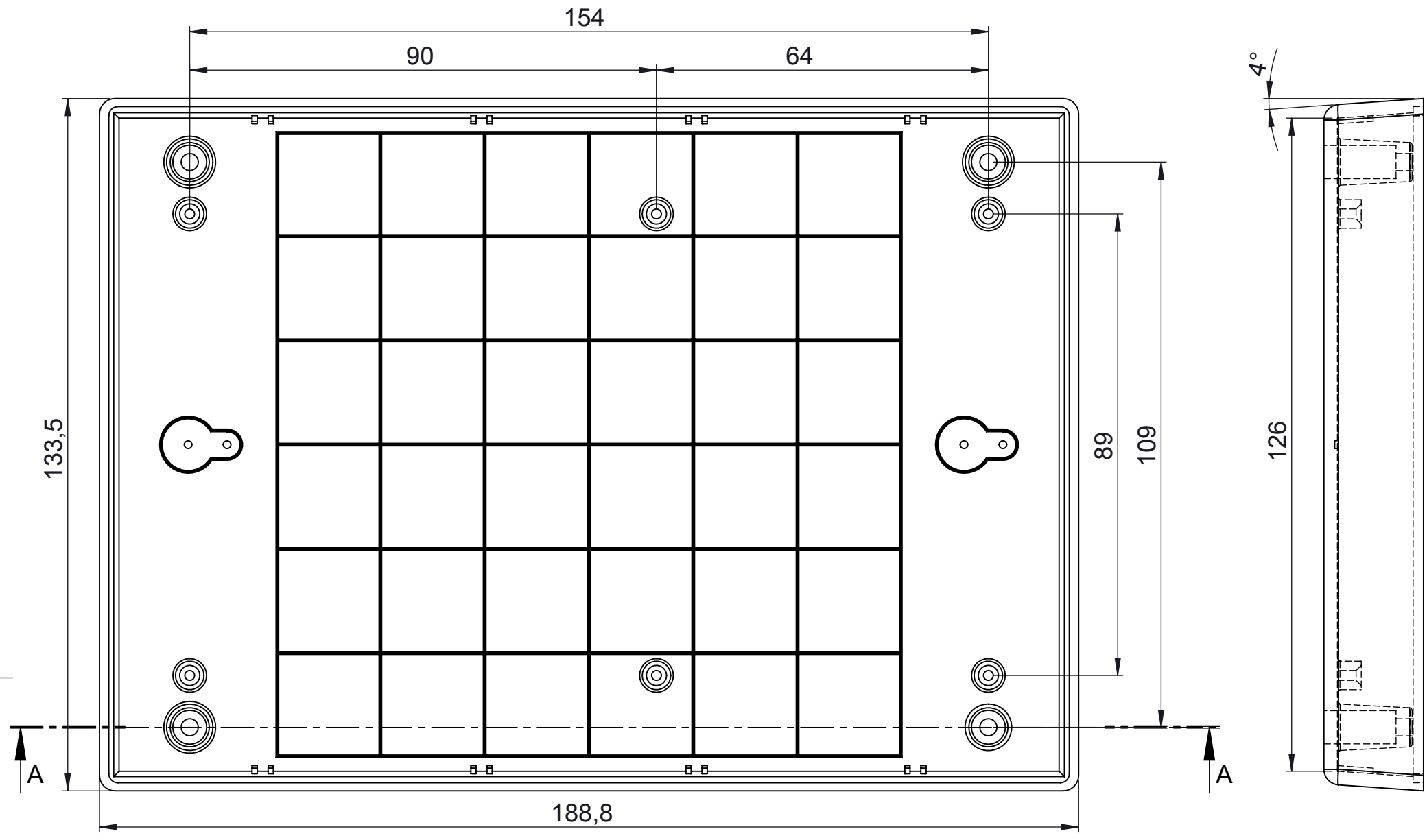
MATERIAL:

DT-120-0-0-10272 A3

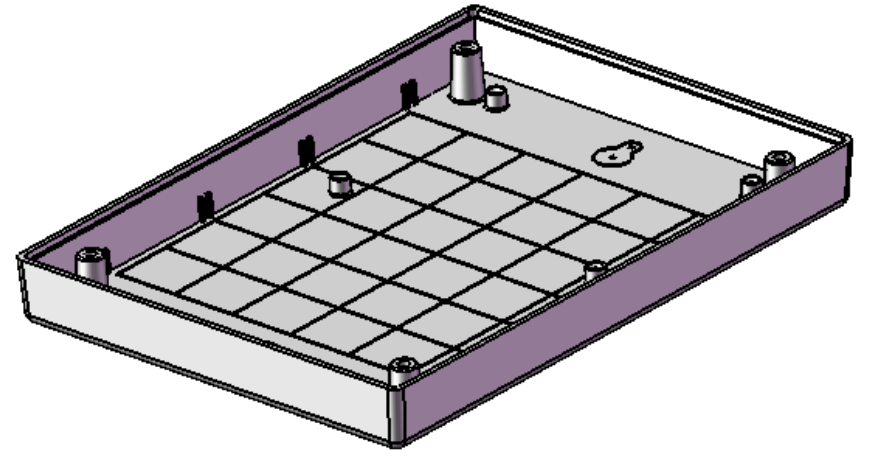
WEIGHT: _____ SCALE:1:1 SHEET 1 OF 1




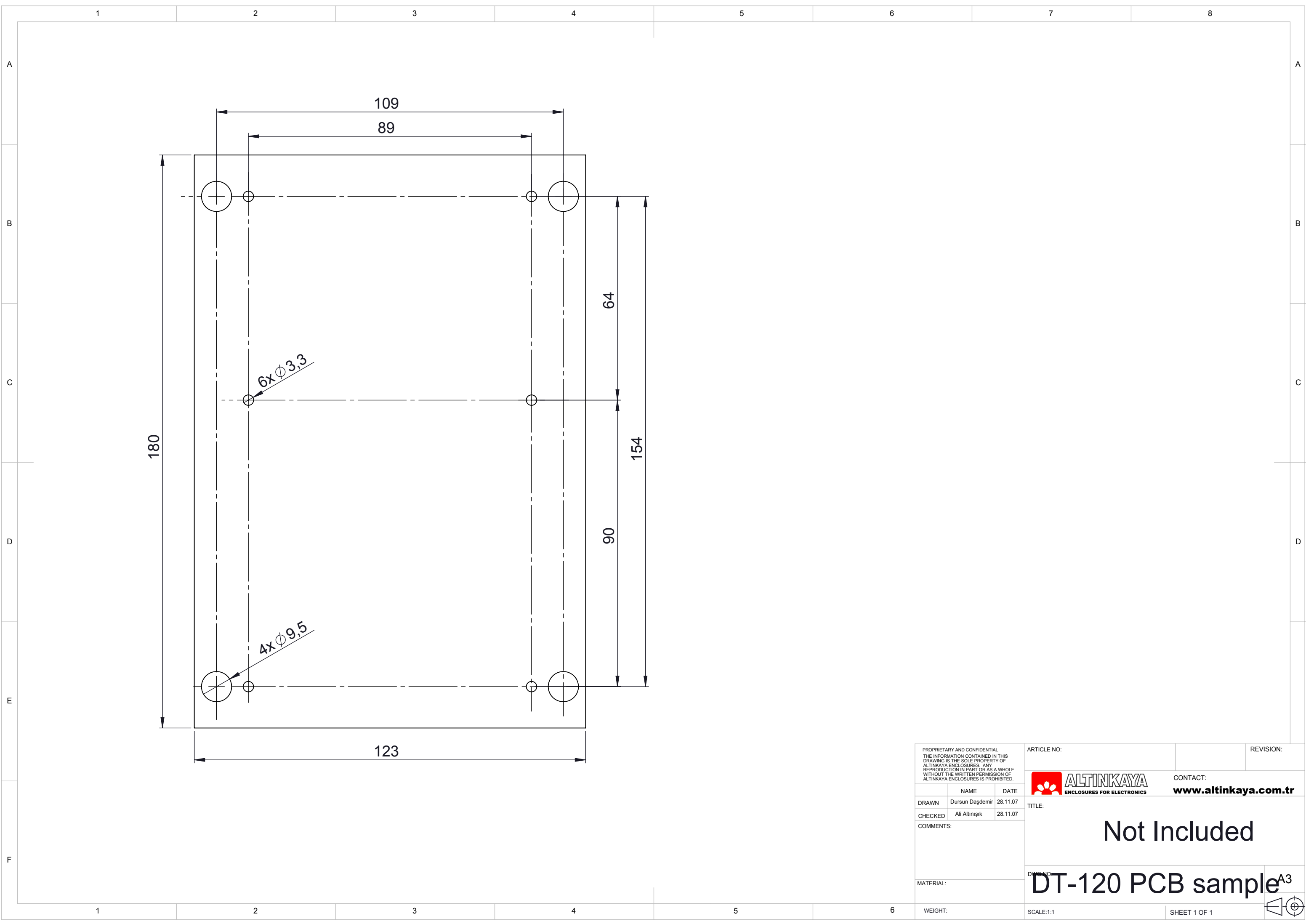
<small>PROPRIETARY AND CONFIDENTIAL THE INFORMATION CONTAINED IN THIS DRAWING IS THE SOLE PROPERTY OF ALTINKAYA ENCLOSURES. ANY REPRODUCTION IN PART OR AS A WHOLE WITHOUT THE WRITTEN PERMISSION OF ALTINKAYA ENCLOSURES IS PROHIBITED.</small>		ARTICLE NO:	REVISION:
<small>DRAWN</small> Dursun Dağdemir 28.11.07 <small>CHECKED</small> Ali Altınışık 28.11.07 <small>COMMENTS:</small>		 ALTINKAYA <small>ENCLOSURES FOR ELECTRONICS</small>	<small>CONTACT:</small> www.altinkaya.com.tr
<small>MATERIAL:</small>		<h1>DT 120 Upper body</h1>	
<small>WEIGHT:</small>		<small>DWG NO:</small> <h2>DT-120-P-1-10274</h2>	<small>SCALE:</small> 1:1 <small>SHEET</small> 1 OF 1




SECTION A-A
SCALE 1 : 1



<small>PROPRIETARY AND CONFIDENTIAL THE INFORMATION CONTAINED IN THIS DRAWING IS THE SOLE PROPERTY OF ALTINKAYA ENCLOSURES. ANY REPRODUCTION IN PART OR AS A WHOLE WITHOUT THE WRITTEN PERMISSION OF ALTINKAYA ENCLOSURES IS PROHIBITED.</small>		ARTICLE NO:	REVISION:
<small>DRAWN Dursun Dasdemir 28.11.07 CHECKED Ali Altinşik 28.11.07 COMMENTS:</small>		 ALTINKAYA ENCLOSURES FOR ELECTRONICS	CONTACT: www.altinkaya.com.tr
MATERIAL:		TITLE: <h1>DT 120 Lower body</h1>	
WEIGHT:		DWG NO: <h1>DT-120-P-2-10276</h1>	A3
SCALE:1:1		SHEET 1 OF 1	



<small>PROPRIETARY AND CONFIDENTIAL THE INFORMATION CONTAINED IN THIS DRAWING IS THE SOLE PROPERTY OF ALTINKAYA ENCLOSURES. ANY REPRODUCTION IN PART OR AS A WHOLE WITHOUT THE WRITTEN PERMISSION OF ALTINKAYA ENCLOSURES IS PROHIBITED.</small>			ARTICLE NO:	REVISION:									
<table border="1"> <thead> <tr> <th></th> <th>NAME</th> <th>DATE</th> </tr> </thead> <tbody> <tr> <td>DRAWN</td> <td>Dursun Daşdemir</td> <td>28.11.07</td> </tr> <tr> <td>CHECKED</td> <td>Ali Altınşık</td> <td>28.11.07</td> </tr> </tbody> </table>				NAME	DATE	DRAWN	Dursun Daşdemir	28.11.07	CHECKED	Ali Altınşık	28.11.07	 <small>ENCLOSURES FOR ELECTRONICS</small>	CONTACT: www.altinkaya.com.tr
	NAME	DATE											
DRAWN	Dursun Daşdemir	28.11.07											
CHECKED	Ali Altınşık	28.11.07											
COMMENTS:			<h1>Not Included</h1>										
MATERIAL:			DT-120 PCB sample ^{A3}										
WEIGHT:			SCALE:1:1	SHEET 1 OF 1									