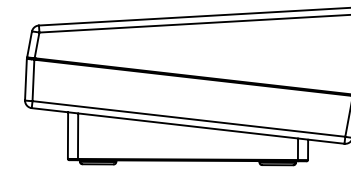
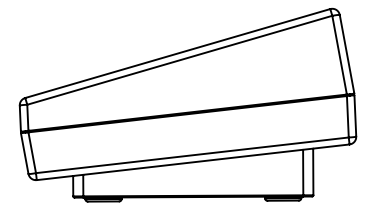


DT-130



DT-130-A



DT-130-A

ITEM NO.	PART NUMBER	DESCRIPTION	QTY.
1	DT-130-P-2-10302	DT 130 Lower body	1
2	DT-130-P-1-10300	DT 130 Upper body	1
3	A-63-0-0-M-0-10296	3x16 YSB PLS Metallic Screw	4
4	DT 130 PCB sample	3x16 YSB PLS Metallic Screw Not Included	1

PROPRIETARY AND CONFIDENTIAL
THE INFORMATION CONTAINED IN THIS DRAWING IS THE SOLE PROPERTY OF ALTINKAYA ENCLOSURES. ANY REPRODUCTION IN PART OR AS A WHOLE WITHOUT THE WRITTEN PERMISSION OF ALTINKAYA ENCLOSURES IS PROHIBITED.

ARTICLE NO: _____ REVISION: _____

ALTINKAYA
ENCLOSURES FOR ELECTRONICS

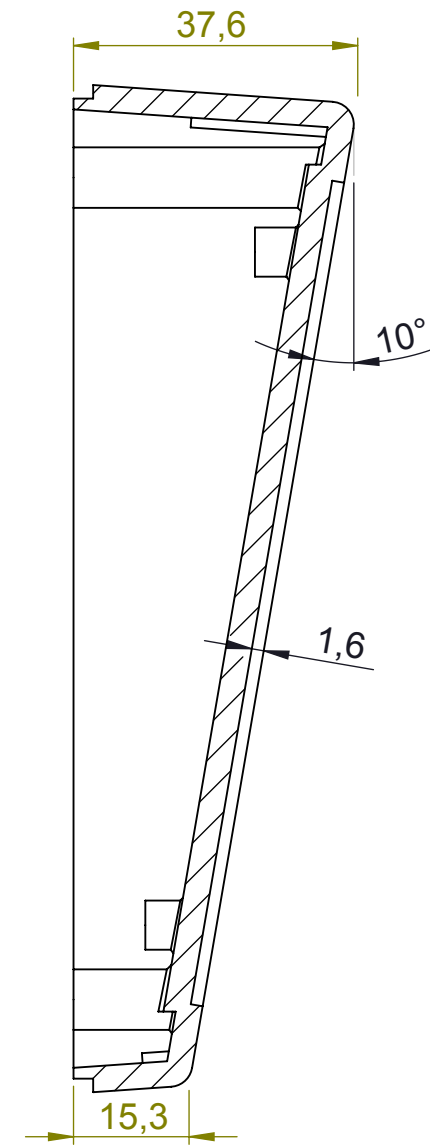
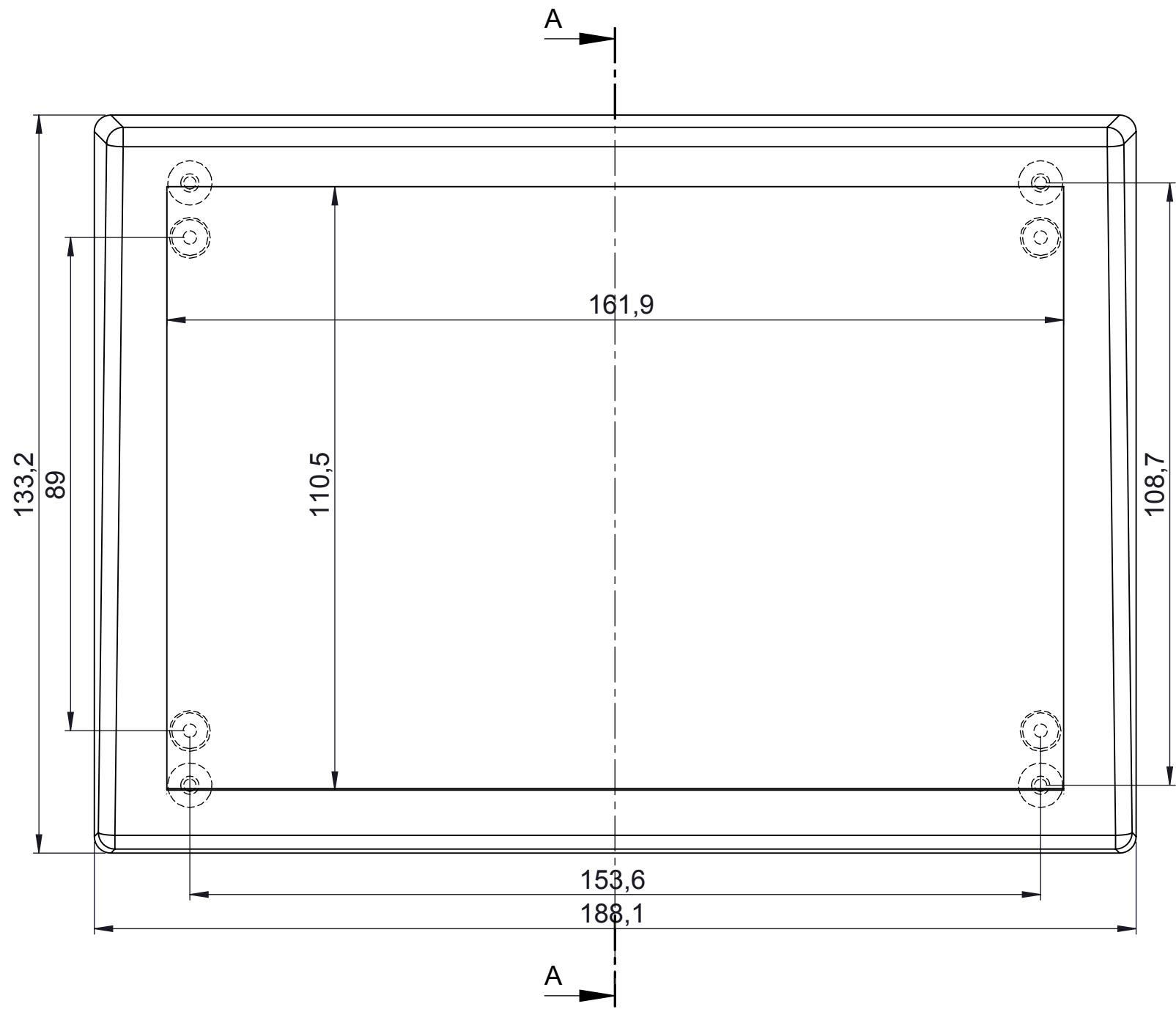
CONTACT: www.altinkaya.com.tr

DRAWN	Dursun Daşdemir	DATE	28.11.07
CHECKED	Ali Altıngök	DATE	28.11.07

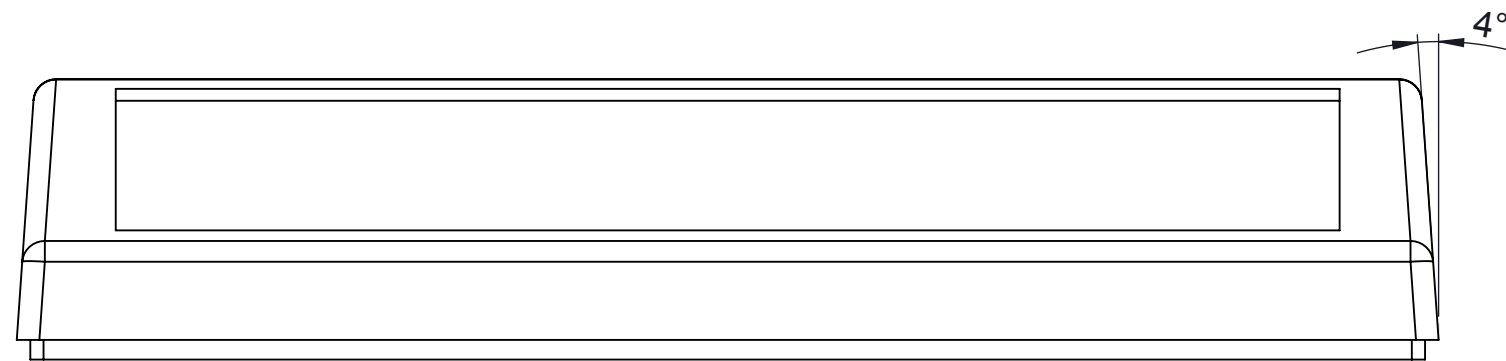
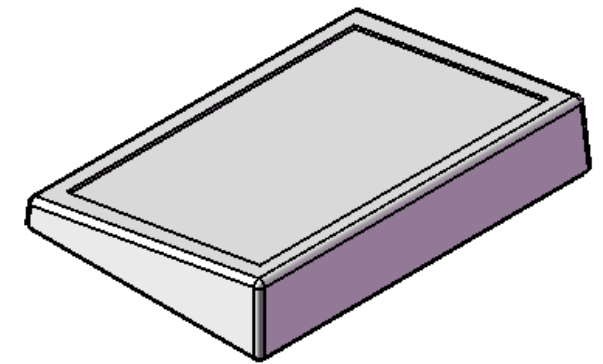
TITLE: **DT 130 Desktop Enclosure**


DWG NO: **DT-130-0-0-10298** A3

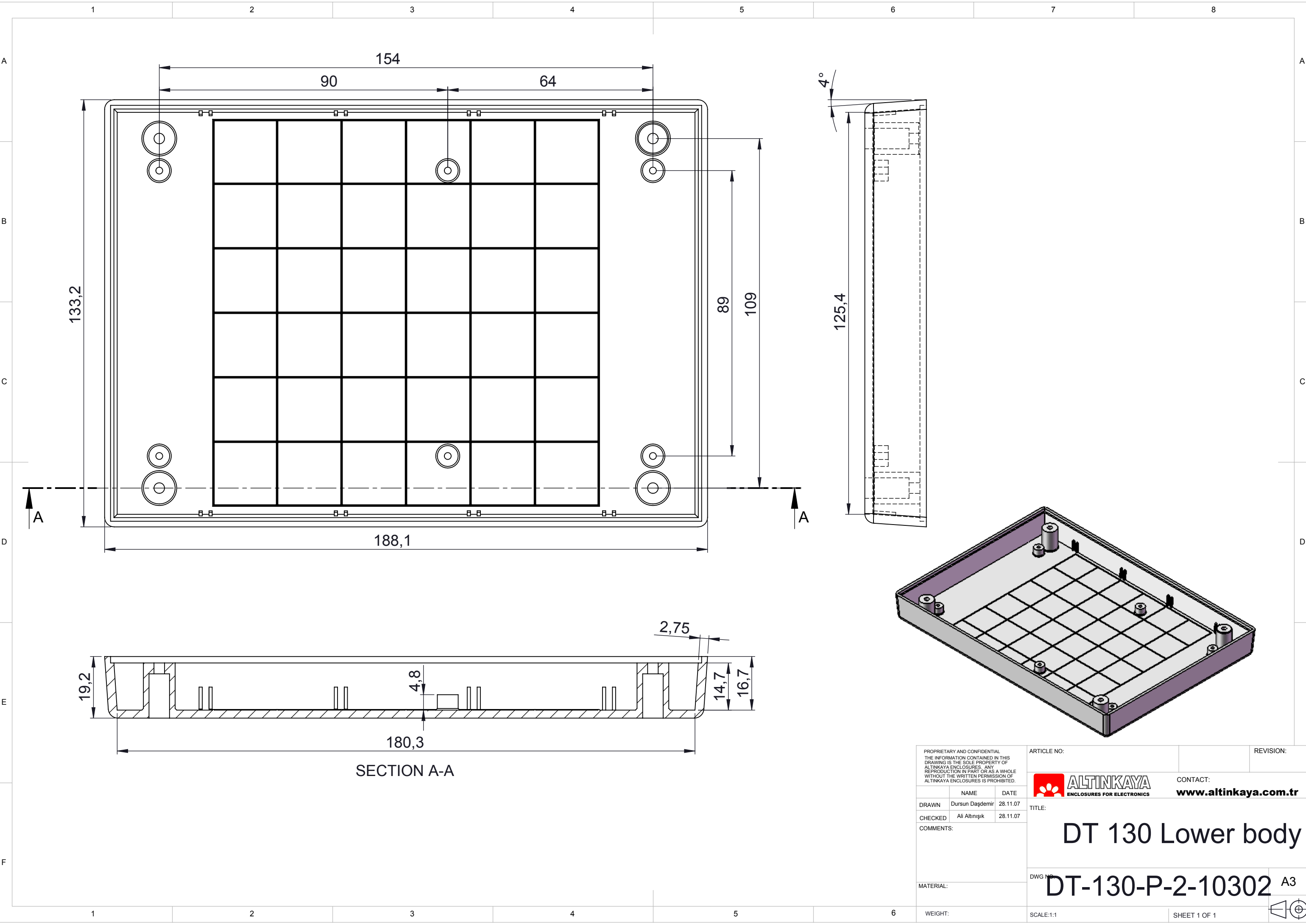
WEIGHT: _____ SCALE:1:1 SHEET 1 OF 1




SECTION A-A

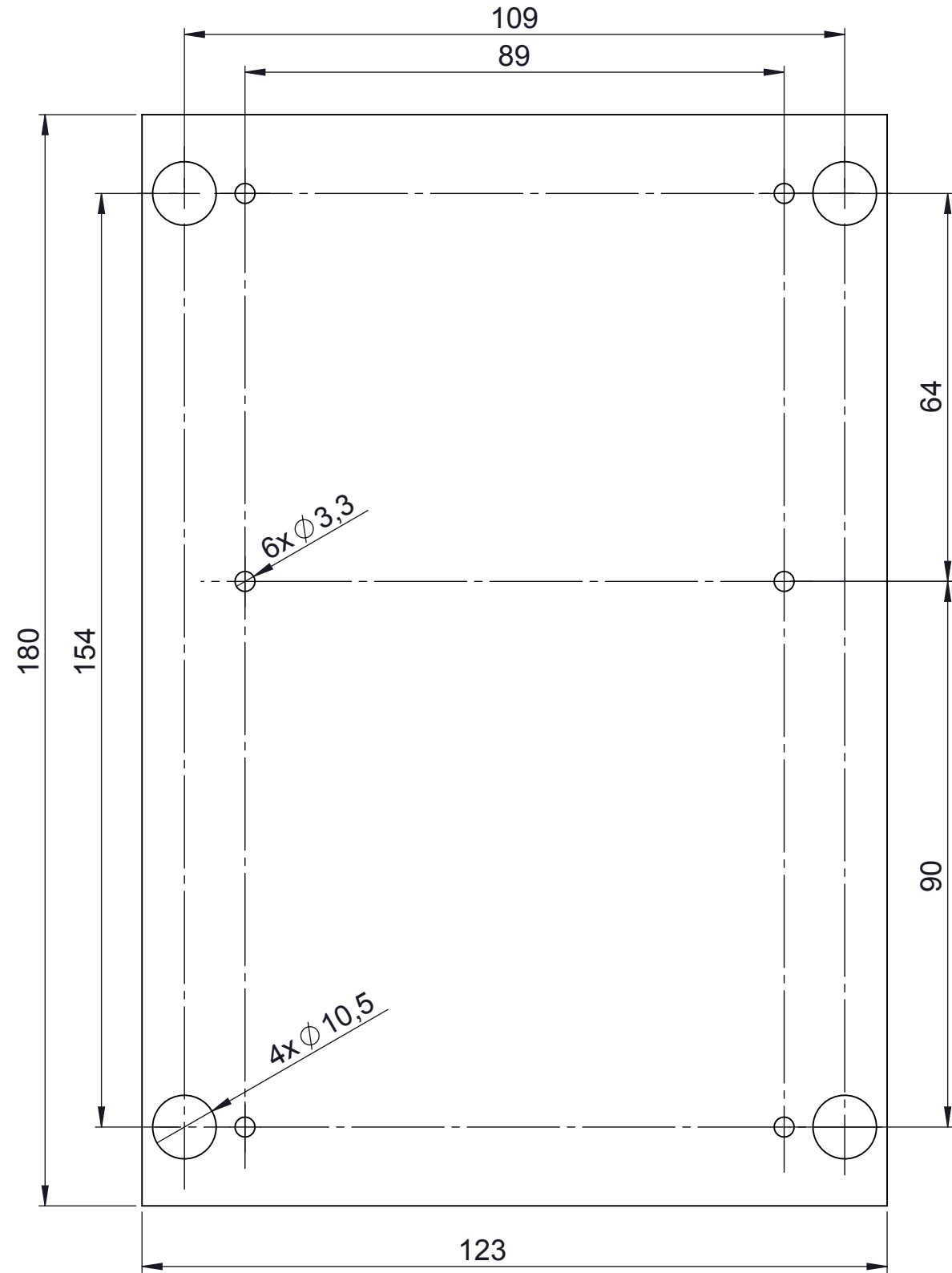



<small>PROPRIETARY AND CONFIDENTIAL THE INFORMATION CONTAINED IN THIS DRAWING IS THE SOLE PROPERTY OF ALTINKAYA ENCLOSURES. ANY REPRODUCTION IN PART OR AS A WHOLE WITHOUT THE WRITTEN PERMISSION OF ALTINKAYA ENCLOSURES IS PROHIBITED.</small>		ARTICLE NO:	REVISION:
<small>DRAWN Dursun Daşdemir 28.11.07 CHECKED Ali Altıngök 28.11.07 COMMENTS:</small>		 ALTINKAYA ENCLOSURES FOR ELECTRONICS	CONTACT: www.altinkaya.com.tr
<small>MATERIAL:</small>		TITLE: <h1>DT 130 Upper body</h1>	
<small>WEIGHT:</small>		<small>DWG NO:</small> <h1>DT-130-P-1-10300</h1>	<small>A3</small>
<small>SCALE:1:1</small>		<small>SHEET 1 OF 1</small>	



SECTION A-A

<small>PROPRIETARY AND CONFIDENTIAL THE INFORMATION CONTAINED IN THIS DRAWING IS THE SOLE PROPERTY OF ALTINKAYA ENCLOSURES. ANY REPRODUCTION IN PART OR AS A WHOLE WITHOUT THE WRITTEN PERMISSION OF ALTINKAYA ENCLOSURES IS PROHIBITED.</small>		ARTICLE NO:	REVISION:						
<table border="1"> <thead> <tr> <th>NAME</th> <th>DATE</th> </tr> </thead> <tbody> <tr> <td>Dursun Dagdemir</td> <td>28.11.07</td> </tr> <tr> <td>Ali Altinçik</td> <td>28.11.07</td> </tr> </tbody> </table>		NAME	DATE	Dursun Dagdemir	28.11.07	Ali Altinçik	28.11.07		CONTACT: www.altinkaya.com.tr
NAME	DATE								
Dursun Dagdemir	28.11.07								
Ali Altinçik	28.11.07								
DRAWN: Dursun Dagdemir 28.11.07 CHECKED: Ali Altinçik 28.11.07 COMMENTS:		TITLE: <h1>DT 130 Lower body</h1>							
MATERIAL:		DT-130-P-2-10302 A3							
WEIGHT:		SCALE:1:1	SHEET 1 OF 1						



<small>PROPRIETARY AND CONFIDENTIAL THE INFORMATION CONTAINED IN THIS DRAWING IS THE SOLE PROPERTY OF ALTINKAYA ENCLOSURES. ANY REPRODUCTION IN PART OR AS A WHOLE WITHOUT THE WRITTEN PERMISSION OF ALTINKAYA ENCLOSURES IS PROHIBITED.</small>		ARTICLE NO:	REVISION:
<small>DRAWN</small> Dursun Daşdemir 28.11.07 <small>CHECKED</small> Ali Altıngök 28.11.07 <small>COMMENTS:</small>		 <small>ENCLOSURES FOR ELECTRONICS</small>	<small>CONTACT:</small> www.altinkaya.com.tr
<small>MATERIAL:</small>		<h1>Not Included</h1>	
<small>WEIGHT:</small>		<small>DWG NO:</small> <h1>DT 130 PCB sample</h1>	<small>SCALE:</small> 1:1 <small>SHEET</small> 1 OF 1

