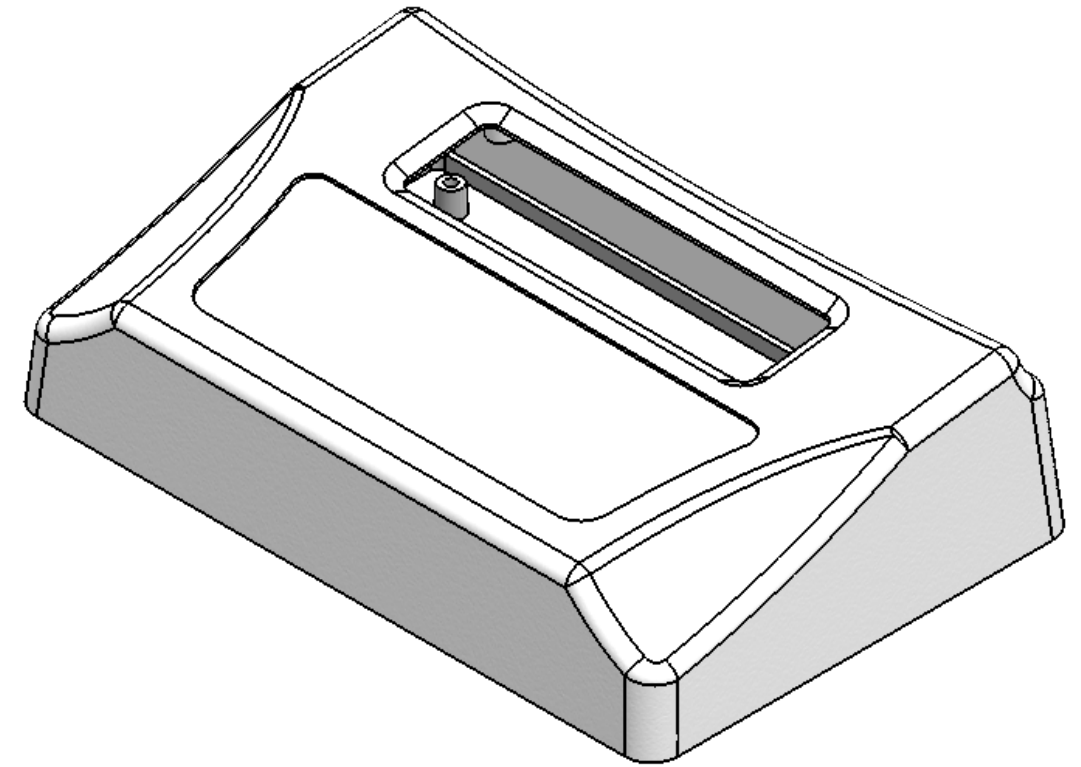
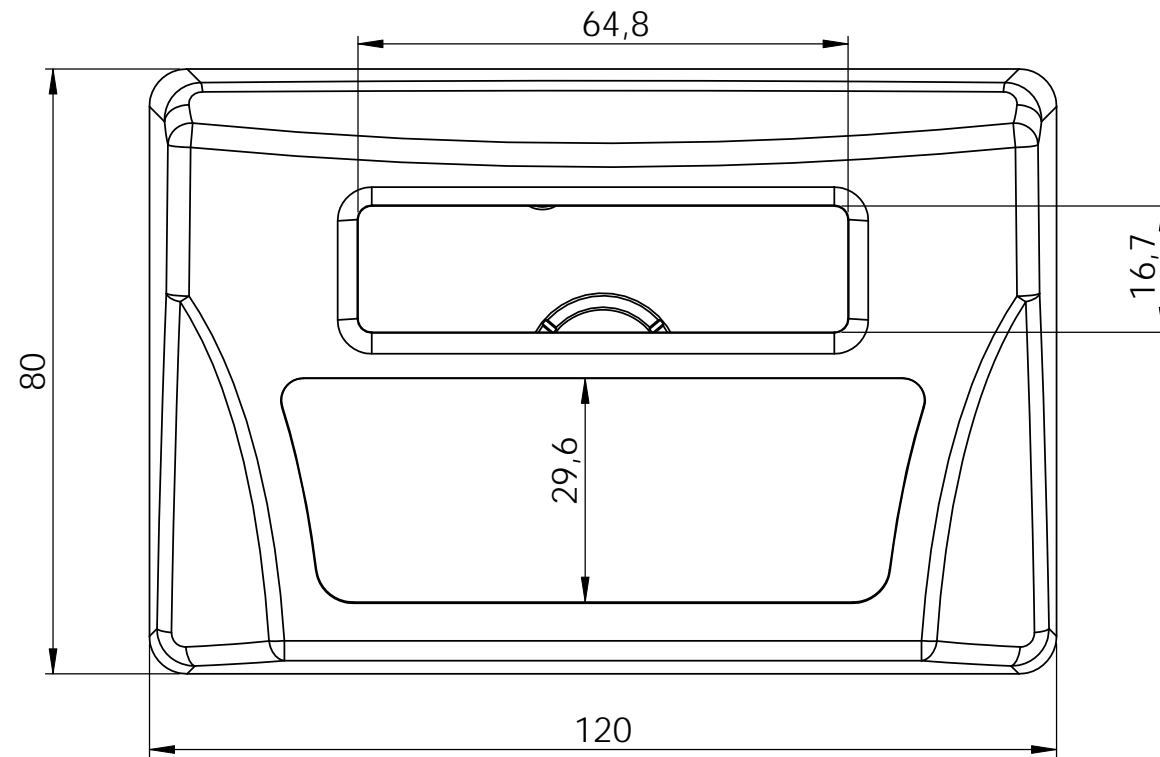

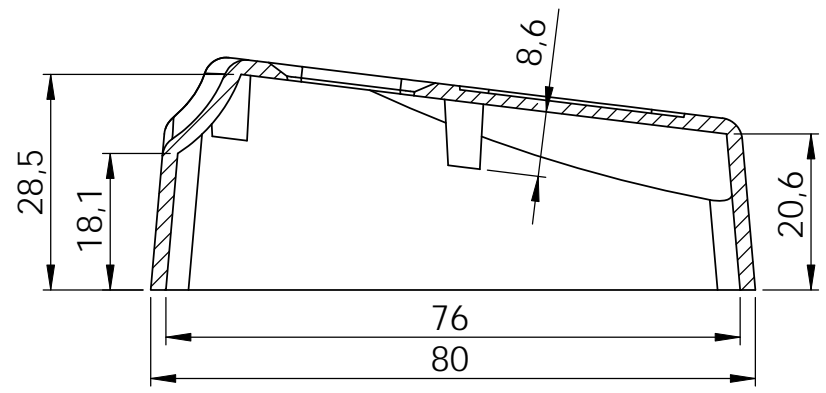
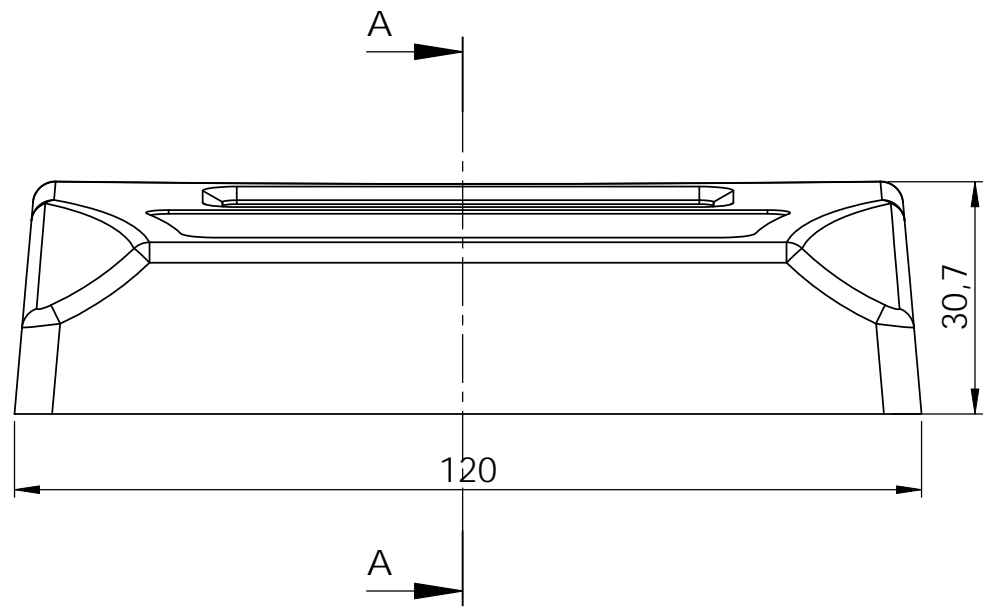


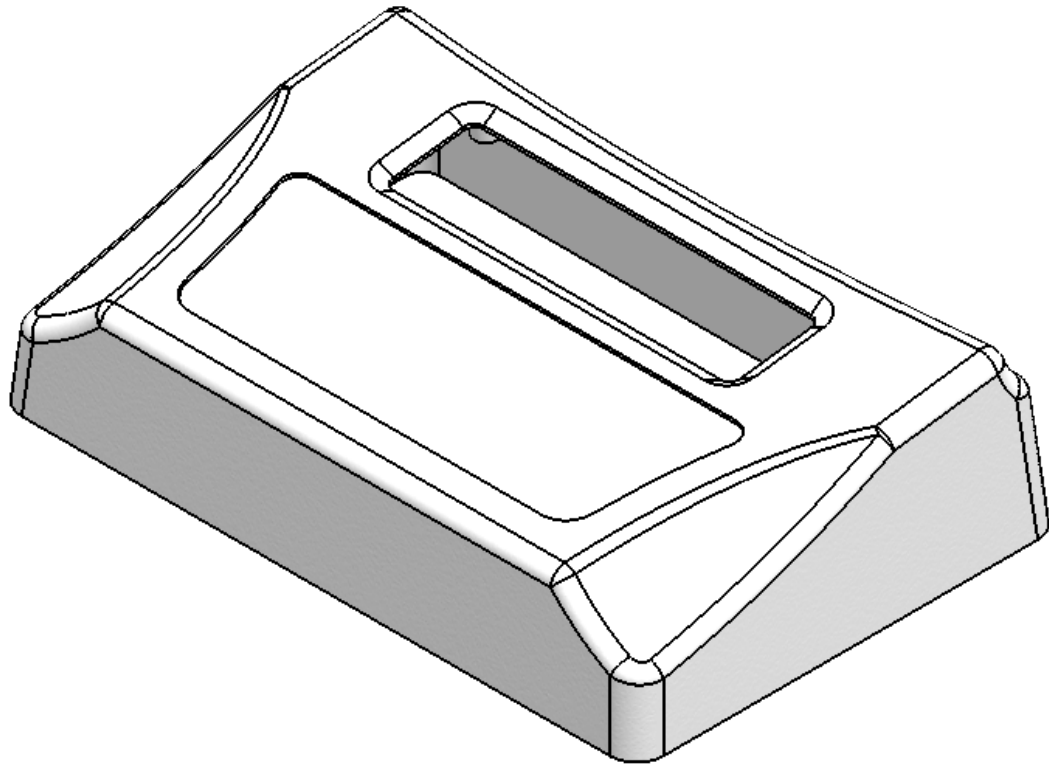
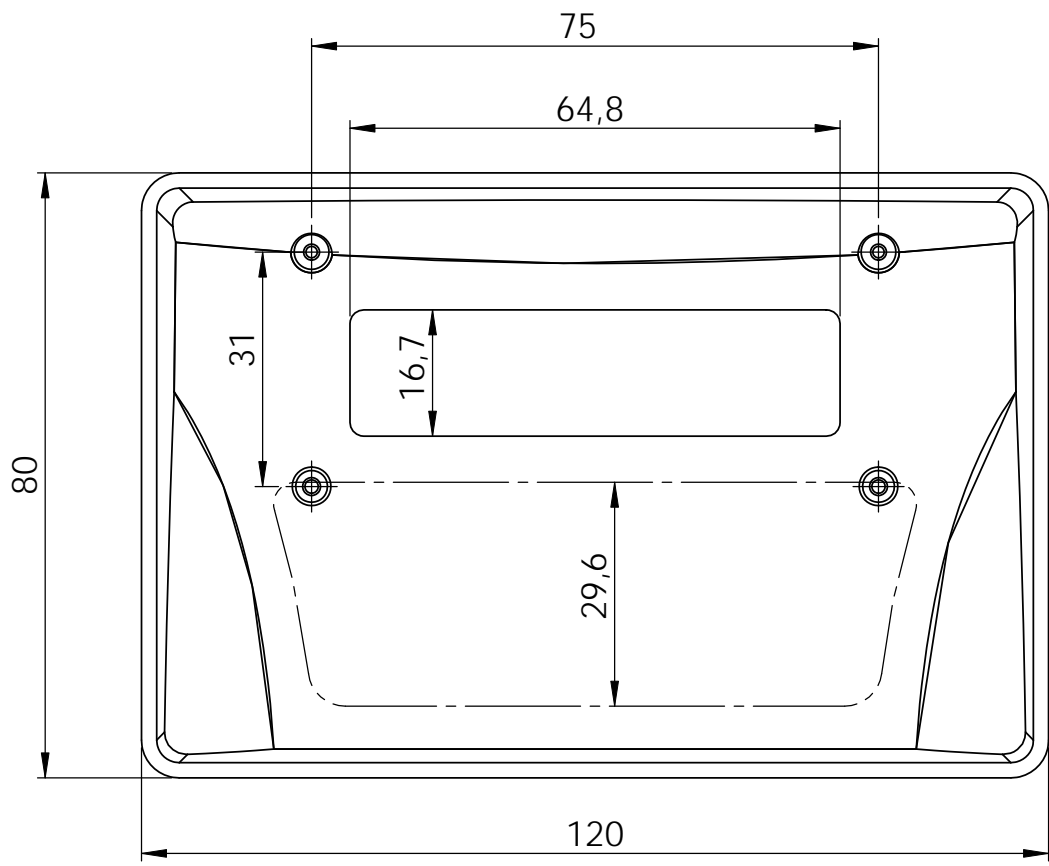
KESIT A-A




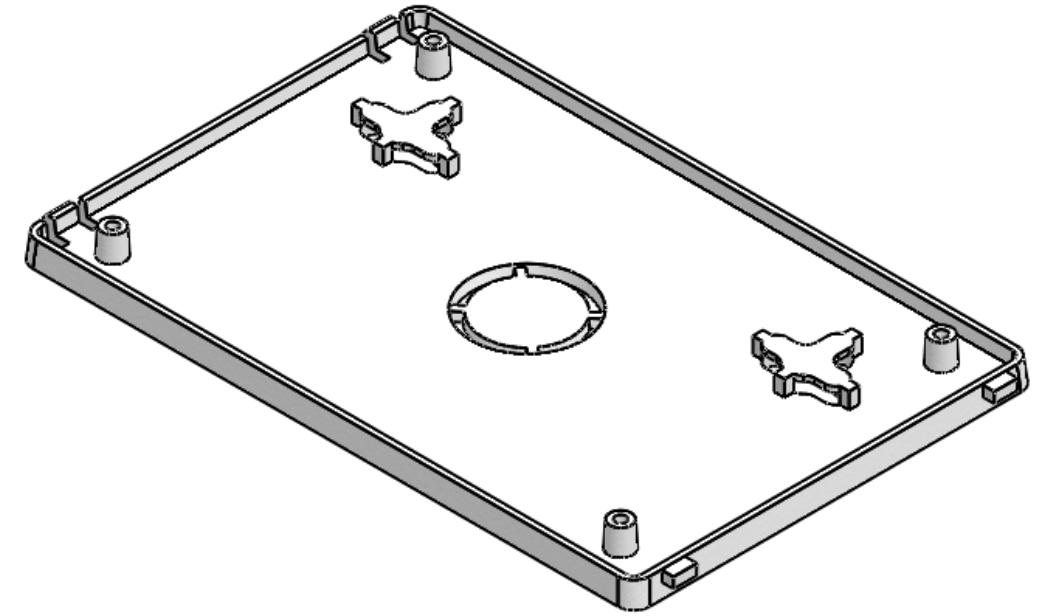
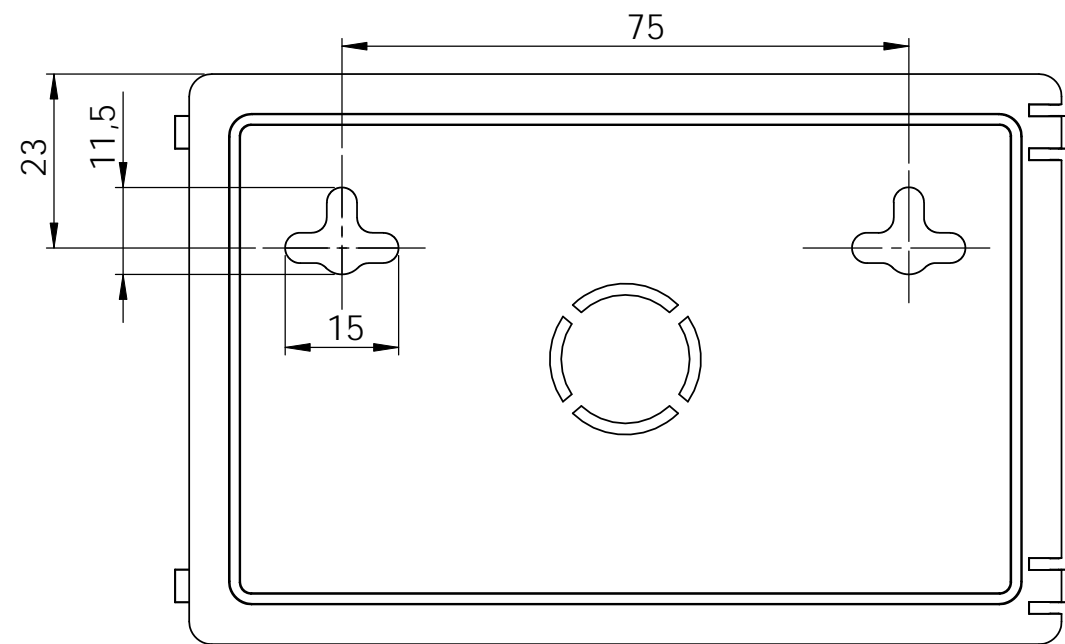
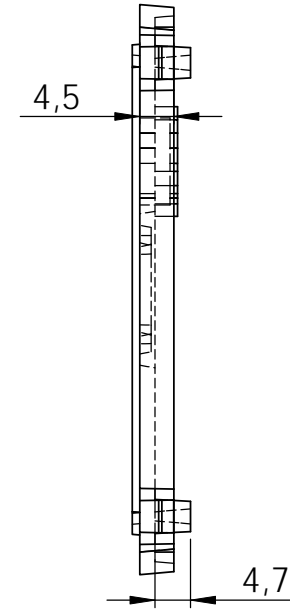
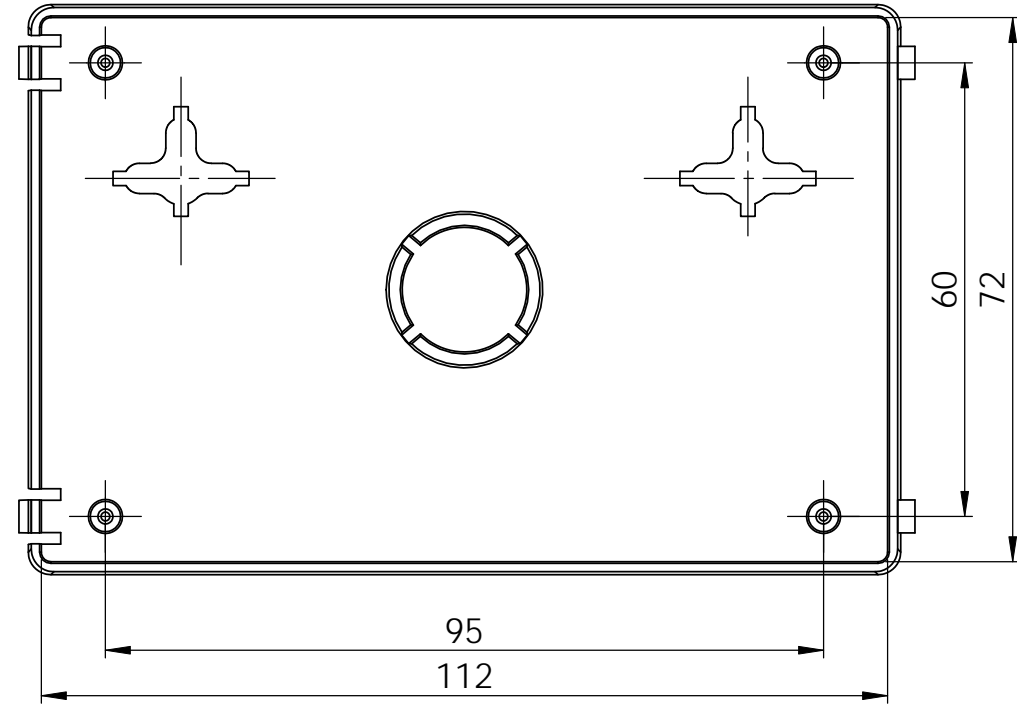
<small>PROPRIETARY AND CONFIDENTIAL. THE INFORMATION CONTAINED IN THIS DRAWING IS THE SOLE PROPERTY OF ALTINKAYA ENCLOSURES. ANY REPRODUCTION IN PART OR AS A WHOLE WITHOUT THE WRITTEN PERMISSION OF ALTINKAYA ENCLOSURES IS PROHIBITED.</small>		ARTICLE NO.:	REVISION:
<small>DRAWN</small> Dursun Daşdemir		 ENCLOSURES FOR ELECTRONICS	CONTACT: <a href="http://www.altinkaya.com.tr">www.altinkaya.com.tr</a>
<small>CHECKED</small> Ali Altınışık		TITLE:	
COMMENTS:		DWG NO. <b>DT-065</b>	
MATERIAL:		A3	
WEIGHT:		SCALE:1:1	SHEET 1 OF 1




KESIT A-A



<small>PROPRIETARY AND CONFIDENTIAL. THE INFORMATION CONTAINED IN THIS DRAWING IS THE SOLE PROPERTY OF ALTINKAYA ENCLOSURES. ANY REPRODUCTION IN PART OR AS A WHOLE WITHOUT THE WRITTEN PERMISSION OF ALTINKAYA ENCLOSURES IS PROHIBITED.</small>		ARTICLE NO.:	REVISION:														
<table border="1"> <tr> <th>NAME</th> <th>DATE</th> </tr> <tr> <td>Dursun Daşdemir</td> <td></td> </tr> <tr> <th>CHECKED</th> <th></th> </tr> <tr> <td>Ali Altınışık</td> <td></td> </tr> <tr> <th>COMMENTS:</th> <td></td> </tr> <tr> <th>MATERIAL:</th> <td></td> </tr> <tr> <th>WEIGHT:</th> <td></td> </tr> </table>		NAME	DATE	Dursun Daşdemir		CHECKED		Ali Altınışık		COMMENTS:		MATERIAL:		WEIGHT:		 ENCLOSURES FOR ELECTRONICS CONTACT: <a href="http://www.altinkaya.com.tr">www.altinkaya.com.tr</a>	TITLE:
NAME	DATE																
Dursun Daşdemir																	
CHECKED																	
Ali Altınışık																	
COMMENTS:																	
MATERIAL:																	
WEIGHT:																	
		DWG NO. <b>DT-065-P-1</b>	A3														
		SCALE:1:1	SHEET 1 OF 1														



<small>PROPRIETARY AND CONFIDENTIAL. THE INFORMATION CONTAINED IN THIS DRAWING IS THE SOLE PROPERTY OF ALTINKAYA ENCLOSURES. ANY REPRODUCTION IN PART OR AS A WHOLE WITHOUT THE WRITTEN PERMISSION OF ALTINKAYA ENCLOSURES IS PROHIBITED.</small>			ARTICLE NO.:	REVISION:
<small>DRAWN</small> Dursun Daşdemir				CONTACT: <a href="http://www.altinkaya.com.tr">www.altinkaya.com.tr</a>
<small>CHECKED</small> Ali Altınışık				TITLE:
COMMENTS:			DWG NO. <b>DT-065-P-2</b>	A3
MATERIAL:			SCALE:1:1	SHEET 1 OF 1
WEIGHT:				