
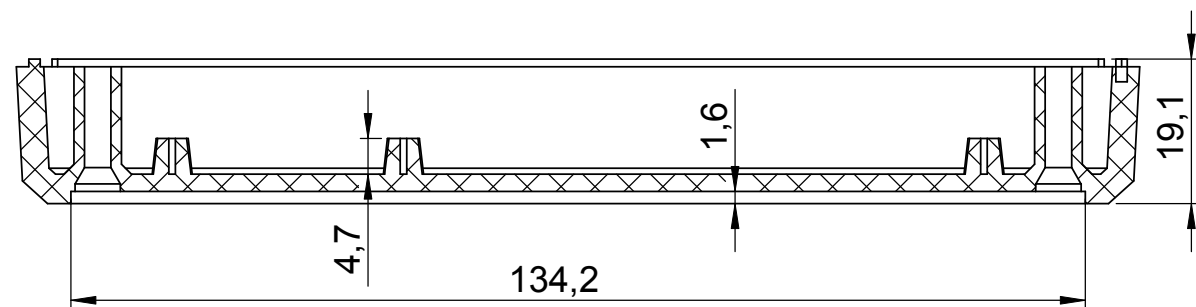
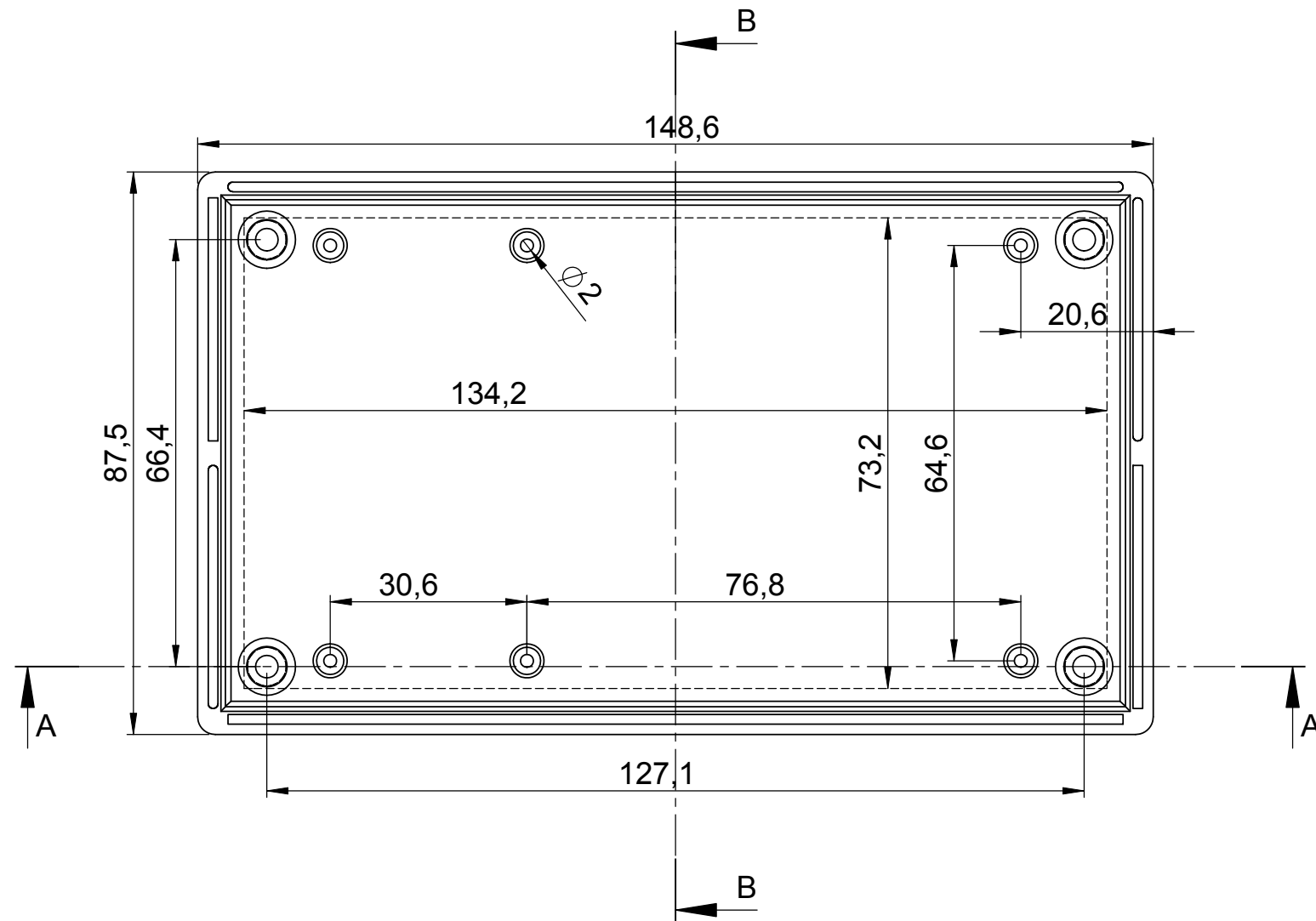


SECTION A-A  
SCALE 1 : 1

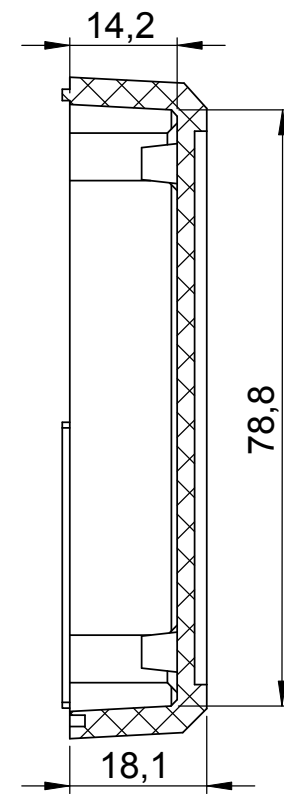
SECTION B-B  
SCALE 1 : 1

ITEM NO.	PART NUMBER	DESCRIPTION	QTY.
1	DT-080-P-2	DT 080 Lower body	1
2	DT-080-P-1	DT 080 Upper Body	1
3	DT-080 PCB sample	Not Included	1
4	A-69-0-0-M-0-10261	3 x 25 mm YHB SC Metallic Screw 3 x 25 mm YHB SC Metallic Screw	4

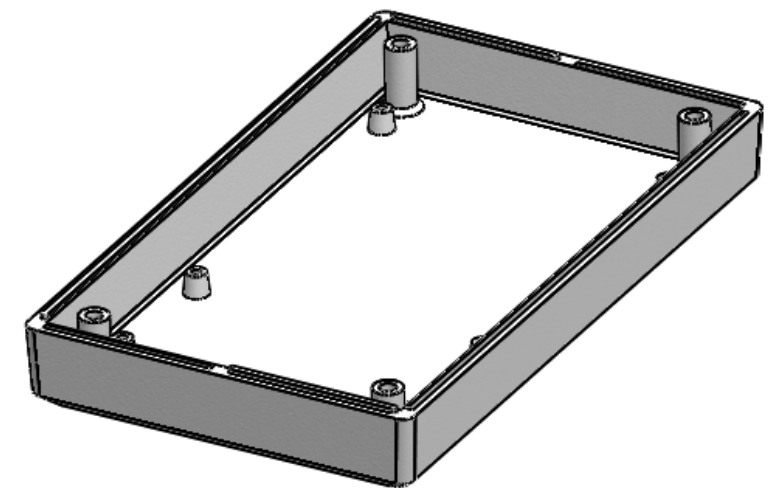
<small>PROPRIETARY AND CONFIDENTIAL. THE INFORMATION CONTAINED IN THIS DRAWING IS THE SOLE PROPERTY OF ALTINKAYA ENCLOSURES. ANY REPRODUCTION IN PART OR AS A WHOLE WITHOUT THE WRITTEN PERMISSION OF ALTINKAYA ENCLOSURES IS PROHIBITED.</small>		ARTICLE NO.:	REVISION:
<small>DRAWN: Dursun Daşdemir</small> <small>CHECKED: Ali Altınışık</small> <small>COMMENTS:</small> <small>MATERIAL:</small> <small>WEIGHT:</small>		 <small>ENCLOSURES FOR ELECTRONICS</small>	<small>CONTACT:</small> <a href="http://www.altinkaya.com.tr">www.altinkaya.com.tr</a>
		<b>TITLE:</b> <b>DT 080 Desktop Enclosure</b>	
		<small>DWG NO.</small> <b>DT-080-0-0</b>	<small>A3</small>
		<small>SCALE:1:1</small>	<small>SHEET 1 OF 1</small>





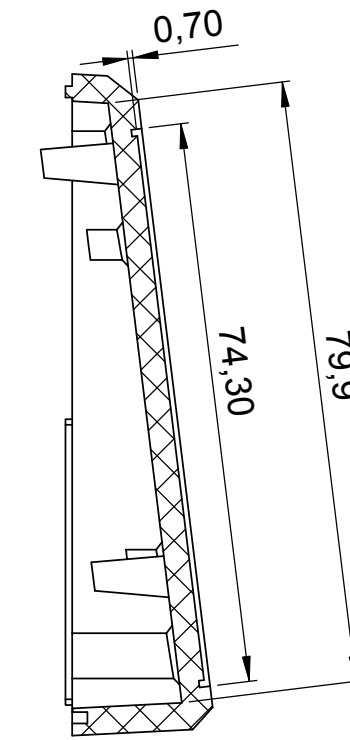
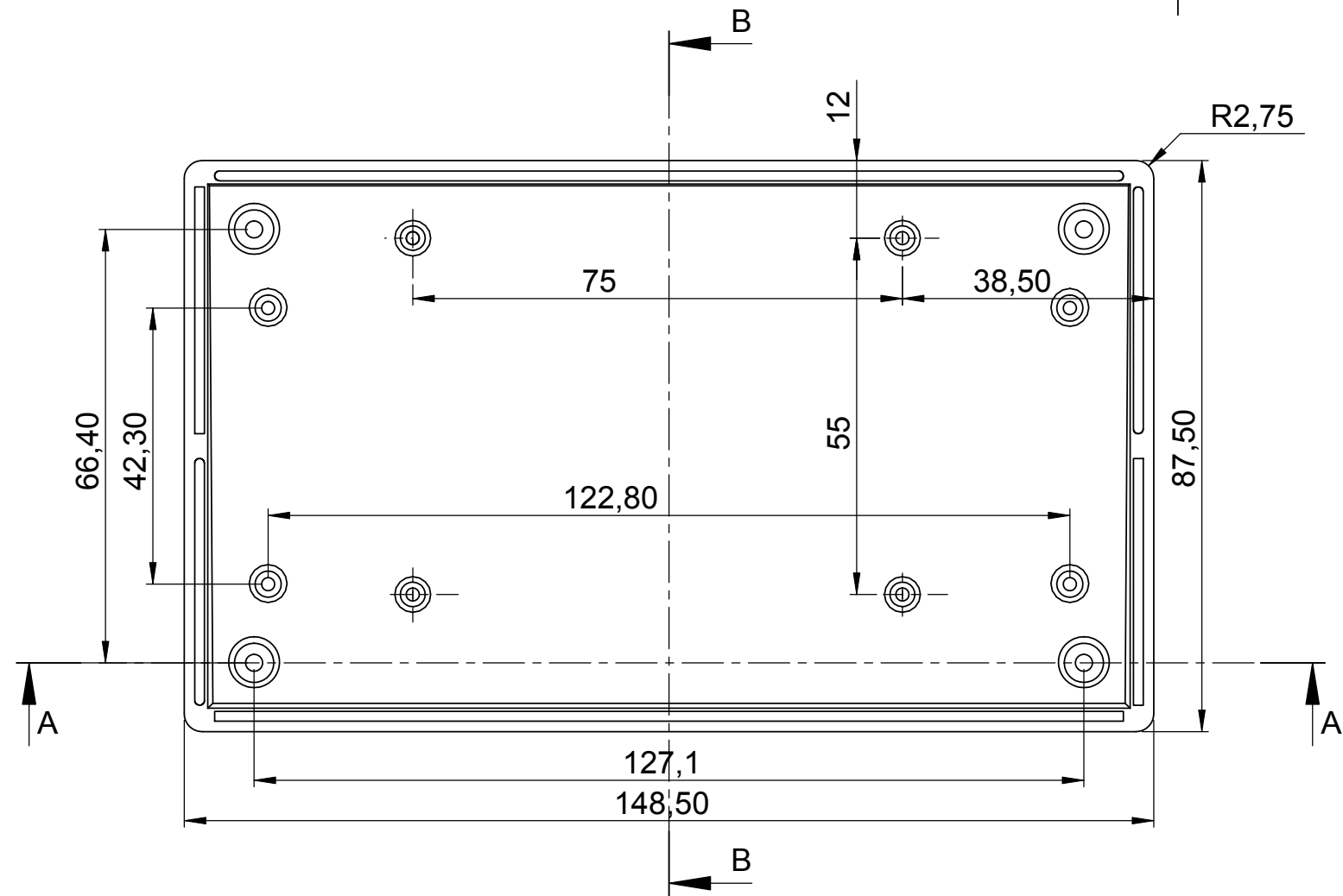
SECTION A-A  
SCALE 1 : 1



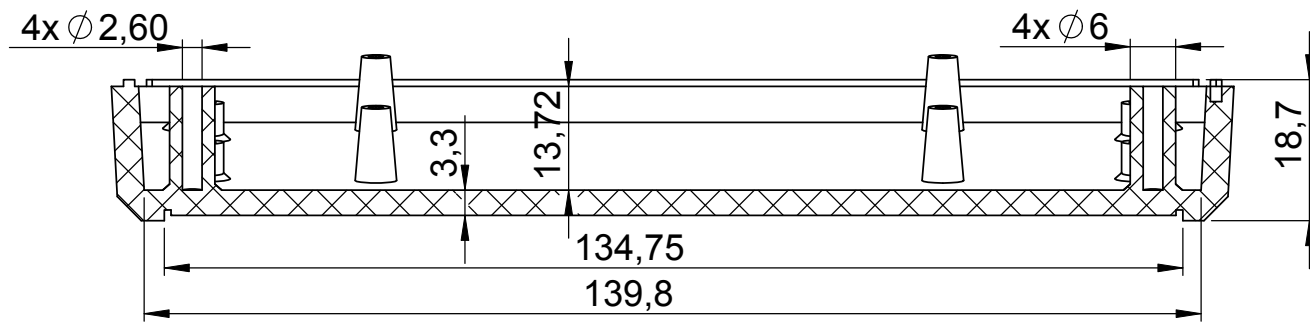
SECTION B-B



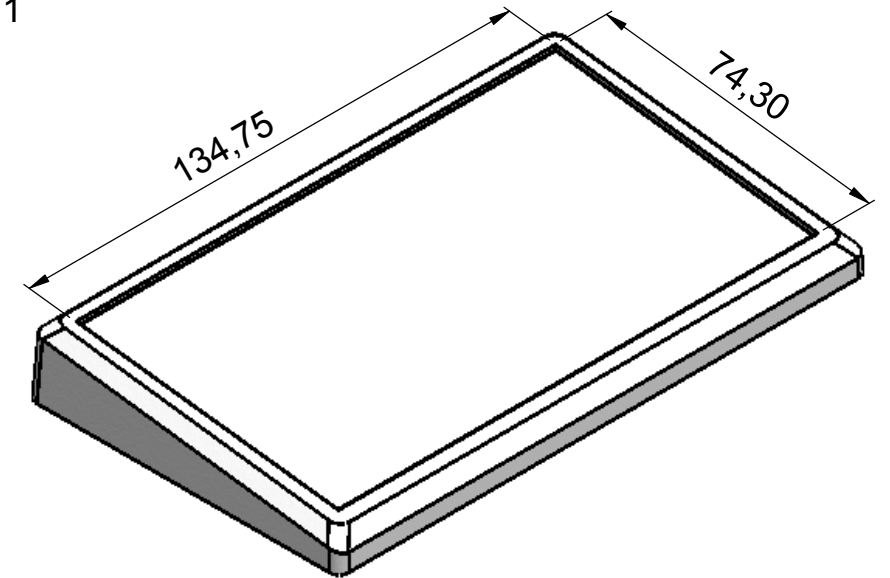
<small>PROPRIETARY AND CONFIDENTIAL. THE INFORMATION CONTAINED IN THIS DRAWING IS THE SOLE PROPERTY OF ALTINKAYA ENCLOSURES. ANY REPRODUCTION IN PART OR AS A WHOLE WITHOUT THE WRITTEN PERMISSION OF ALTINKAYA ENCLOSURES IS PROHIBITED.</small>		ARTICLE NO:	REVISION:
<small>DRAWN</small> Dursun Daşdemir		 <small>ENCLOSURES FOR ELECTRONICS</small>	<small>CONTACT:</small> www.altinkaya.com.tr
<small>CHECKED</small> Ali Altınışık		<small>TITLE:</small> <b>DT 080 Lower body</b>	
<small>COMMENTS:</small>		<small>DWG NO.</small> <b>DT-080-P-2</b>	<b>A3</b>
<small>MATERIAL:</small>		<small>SCALE:</small> 1:1	<small>SHEET</small> 1 OF 1
<small>WEIGHT:</small>			





SECTION B-B  
SCALE 1 : 1



SECTION A-A  
SCALE 1 : 1



<small>PROPRIETARY AND CONFIDENTIAL THE INFORMATION CONTAINED IN THIS DRAWING IS THE SOLE PROPERTY OF ALTINKAYA ENCLOSURES. ANY REPRODUCTION IN PART OR AS A WHOLE WITHOUT THE WRITTEN PERMISSION OF ALTINKAYA ENCLOSURES IS PROHIBITED.</small>		ARTICLE NO.:	REVISION:
<small>DRAWN</small> Dursun Daşdemir		 <small>ENCLOSURES FOR ELECTRONICS</small>	<small>CONTACT:</small> www.altinkaya.com.tr
<small>CHECKED</small> Ali Altınışık		<small>TITLE:</small> <b>DT 080 Upper Body</b>	
<small>COMMENTS:</small>		<small>DWG NO.</small> <b>DT-080-P-1</b>	<small>A3</small>
<small>MATERIAL:</small>		<small>SCALE:</small> 1:1	<small>SHEET</small> 1 OF 1
<small>WEIGHT:</small>			

1

2

3

4

A

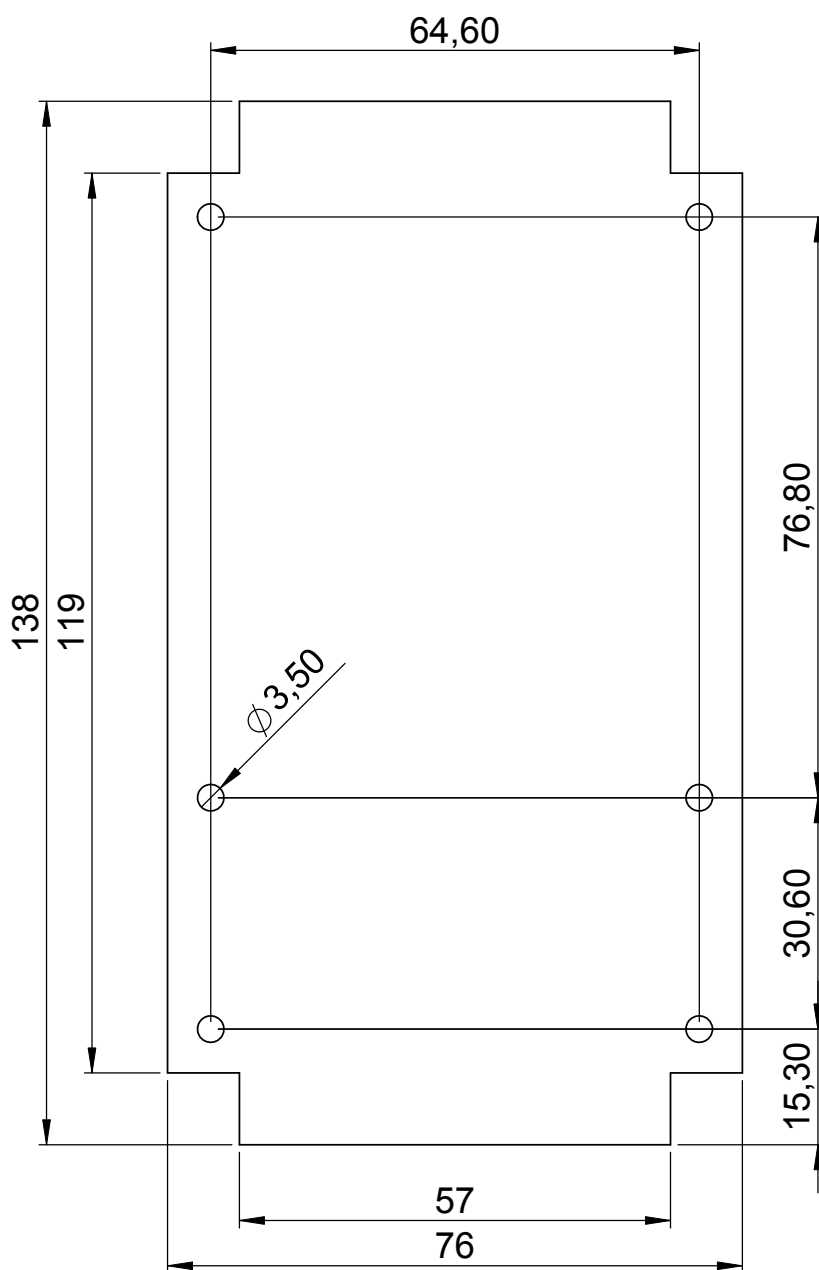
B



C

D

E

F



	NAME	DATE	ARTICLE NO:	REVISION:	TITLE:
DRAWN	Dursun Daşdemir				<b>Not Included</b>
CHECKED	Ali Altınışık				
 <b>ALTINKAYA</b> ENCLOSURES FOR ELECTRONICS <a href="http://www.altinkaya.com.tr">www.altinkaya.com.tr</a>			COMMENTS: DIMENSIONS ARE IN MILLIMETERS, DEBUR AND BREAK SHARP EDGES		DWG NO. <b>DT-080 PCB sample</b>
<b>PROPRIETARY AND CONFIDENTIAL</b> THE INFORMATION CONTAINED IN THIS DRAWING IS THE SOLE PROPERTY OF ALTINKAYA ENCLOSURES. ANY REPRODUCTION IN PART OR AS A WHOLE WITHOUT THE WRITTEN PERMISSION OF ALTINKAYA ENCLOSURES IS PROHIBITED.			<b>MATERIAL:</b>		
			WEIGHT:		
			SCALE:1:1		SHEET 1 OF 1