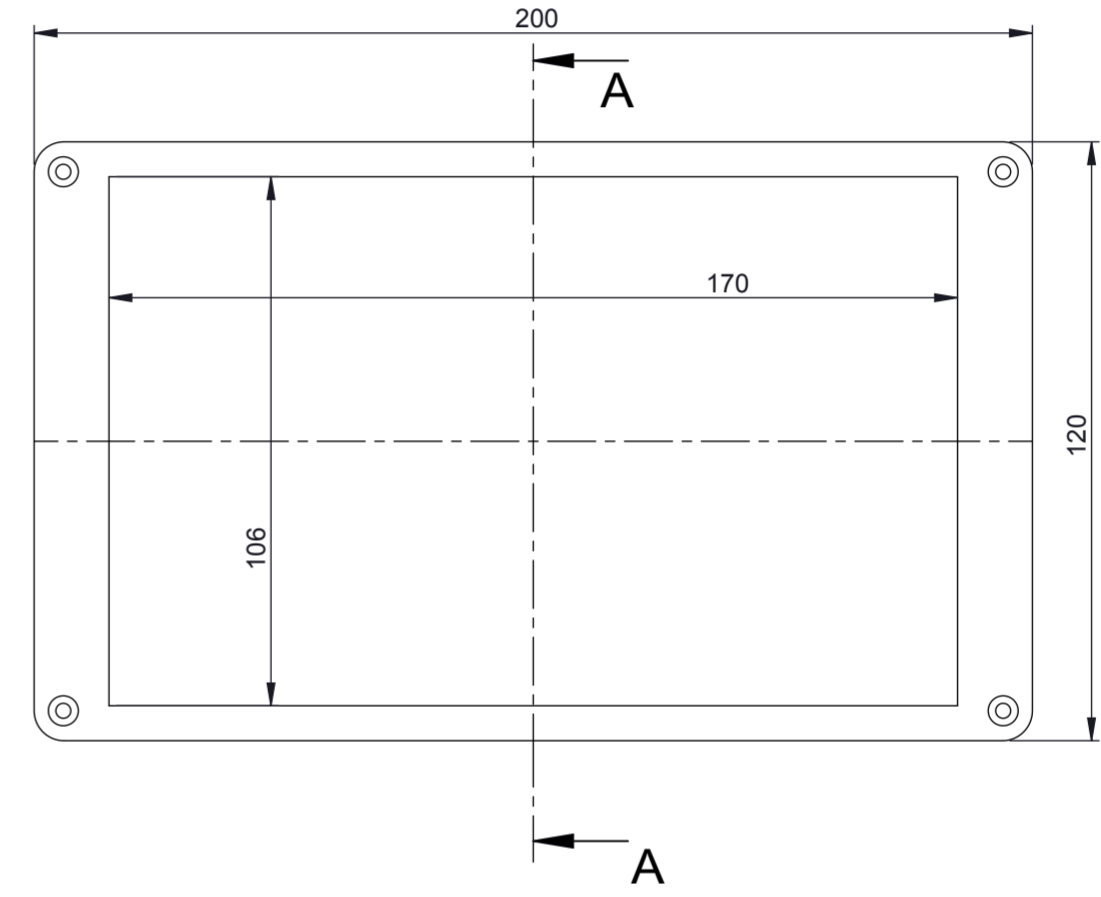
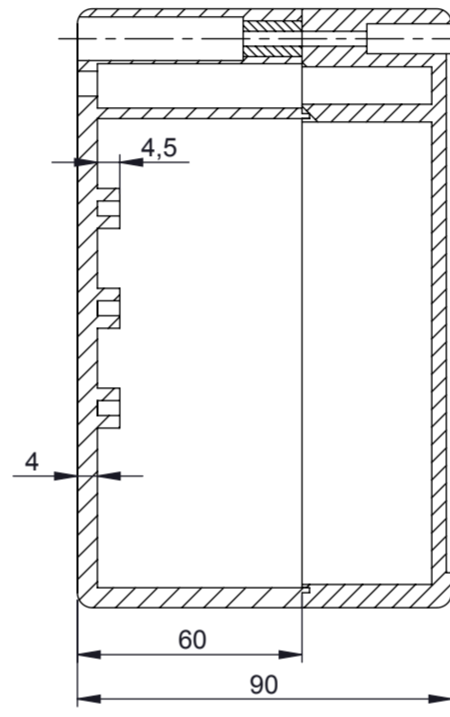
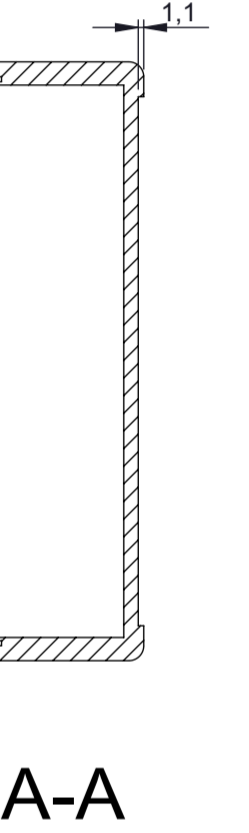


View of base



View of lid



A-A

Views above are not in scale do not take measurement.
Resim ölçekli değildir, üzerinden ölçü almayınız.

PROPRIETARY AND CONFIDENTIAL THE INFORMATION CONTAINED IN THIS DRAWING IS THE SOLE PROPERTY OF ALTINKAYA ENCLOSURES. ANY REPRODUCTION IN PART OR AS A WHOLE WITHOUT THE WRITTEN PERMISSION OF ALTINKAYA ENCLOSURES IS PROHIBITED.		ARTICLE NO:	REVISION:
DRAWN: Dursun Daydemir 07.01.08		NAME: ALTINKAYA ENCLOSURES FOR ELECTRONICS	CONTACT: www.altinkaya.com.tr
CHECKED: Ali Altınışık 07.01.08	DATE: 07.01.08	TITLE: SE-242 IP-65 Dark Gray ABS Enclosure	
COMMENTS:		DWG NO: SE-242-0-0-D-0-11227	A2
MATERIAL:	WEIGHT:	SCALE:	SHEET 1 OF 1