
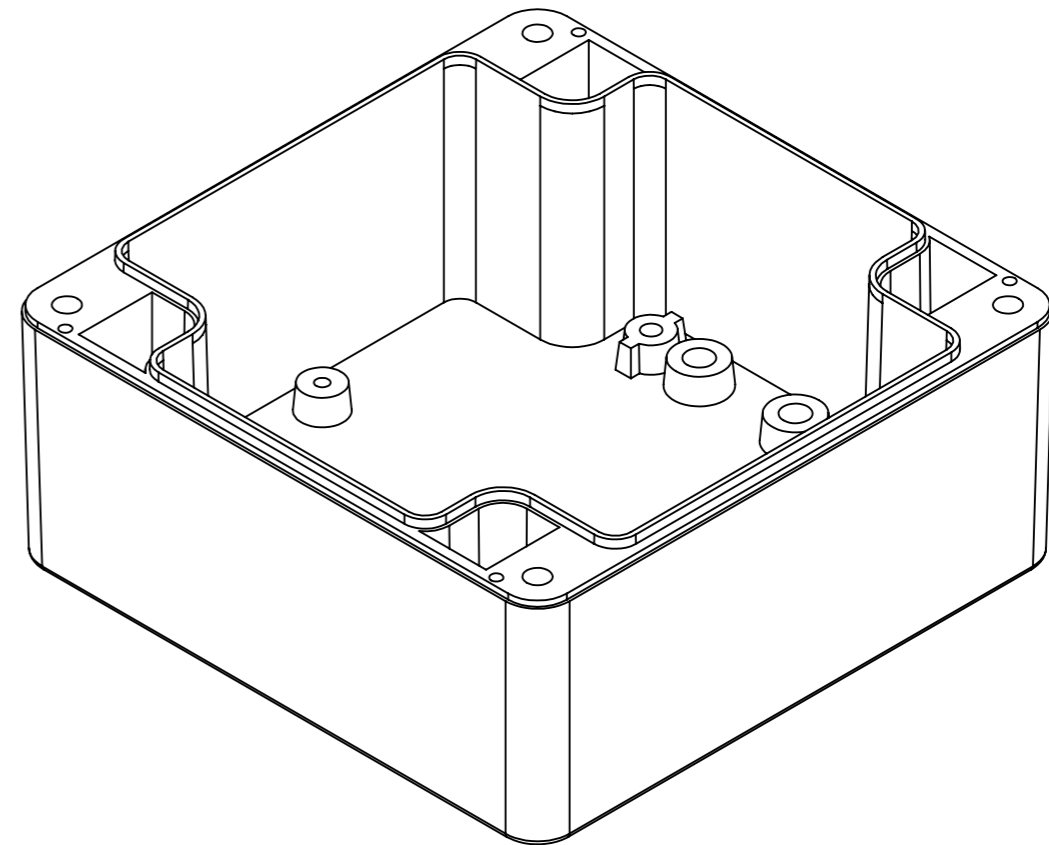
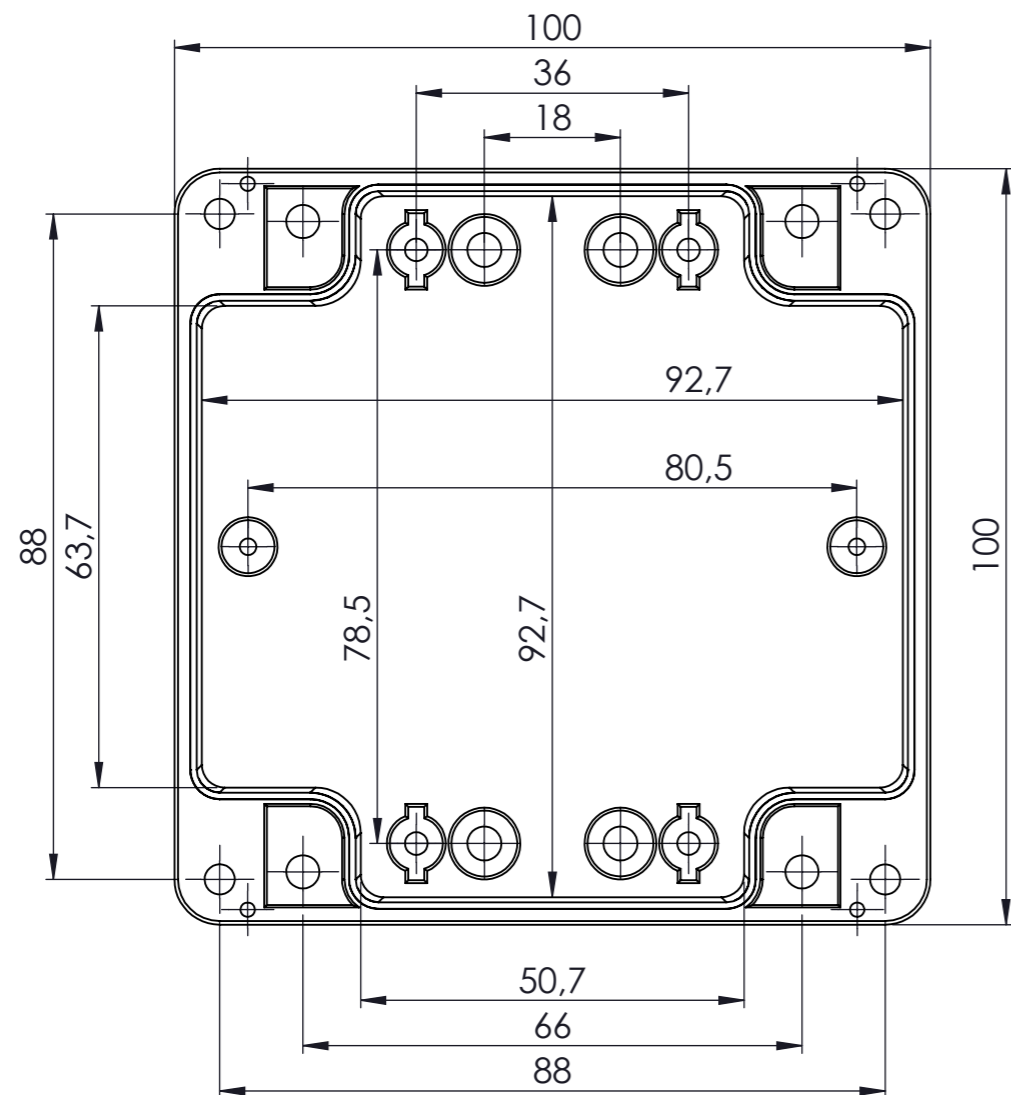
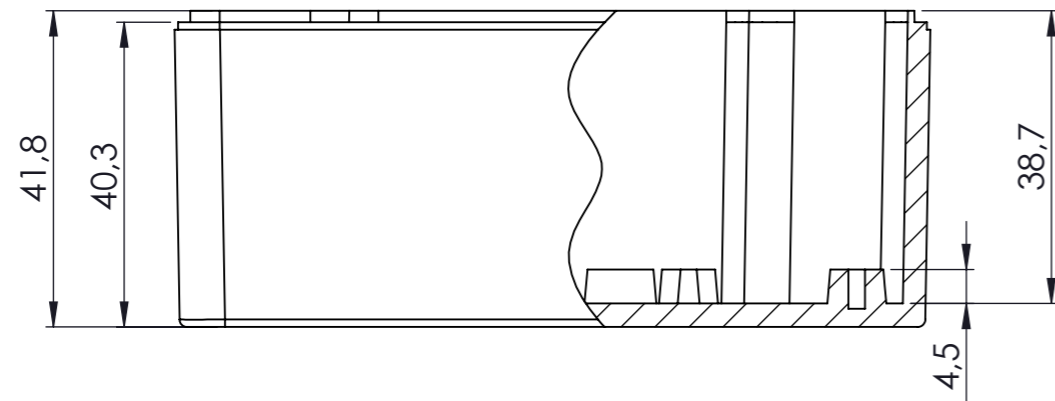

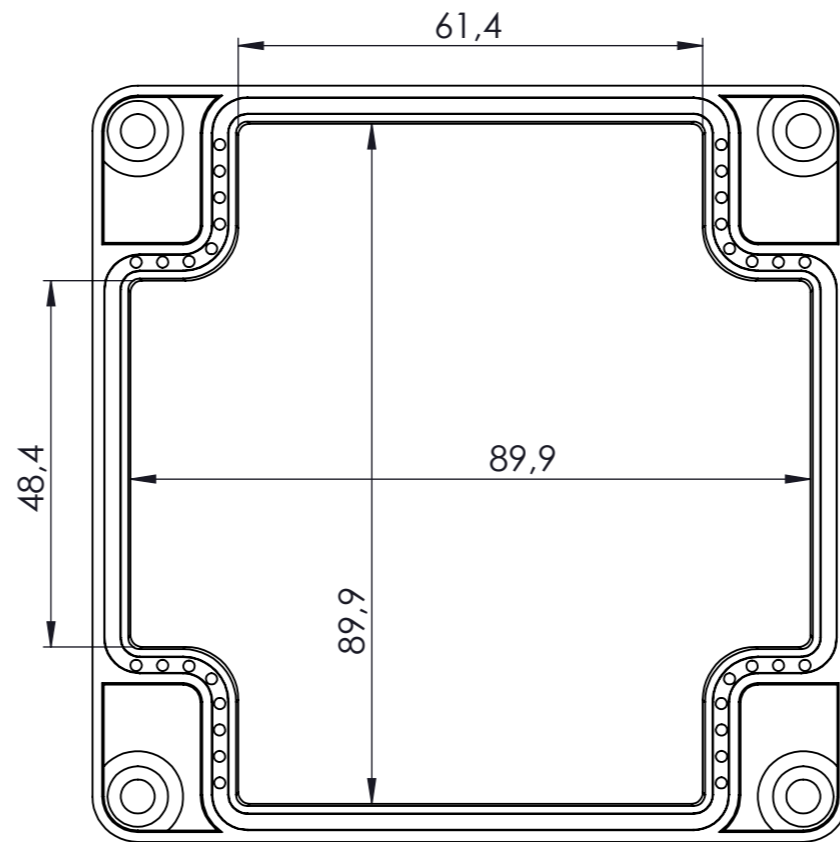
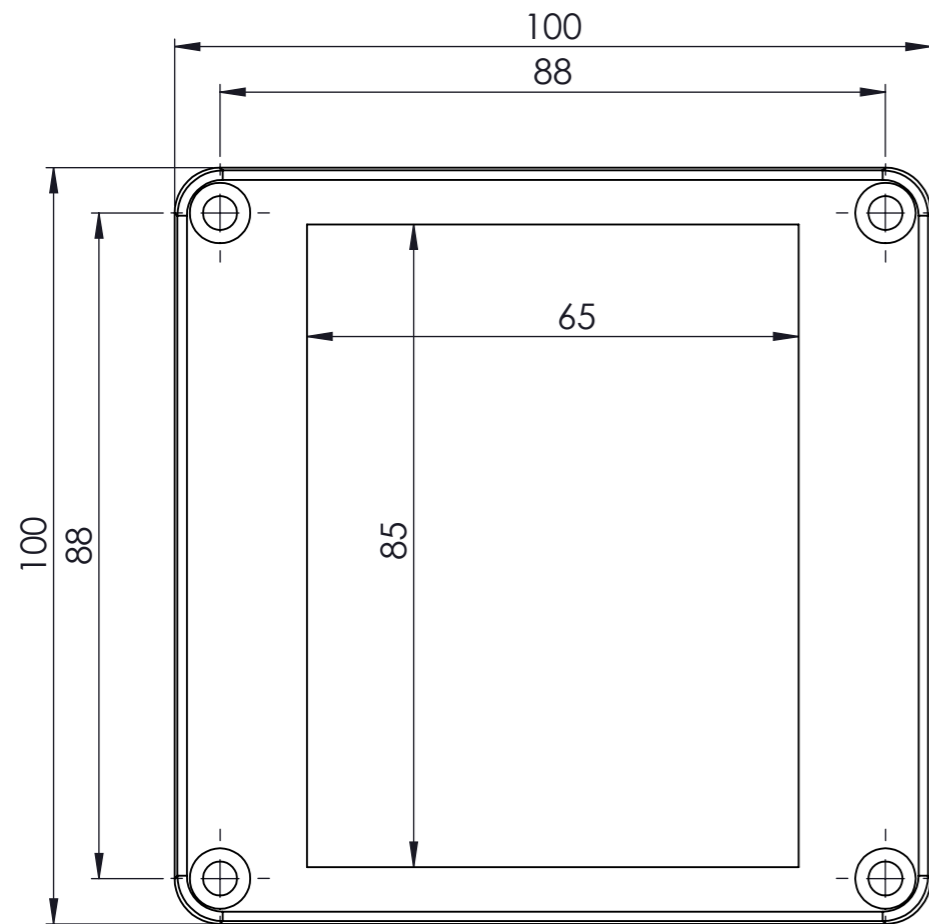
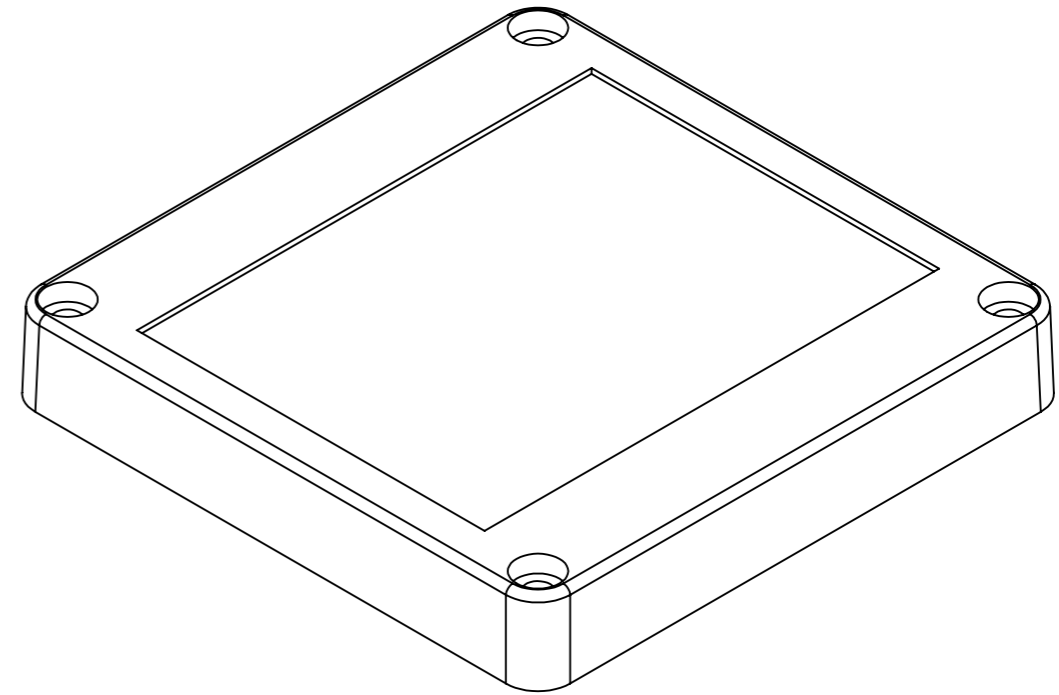
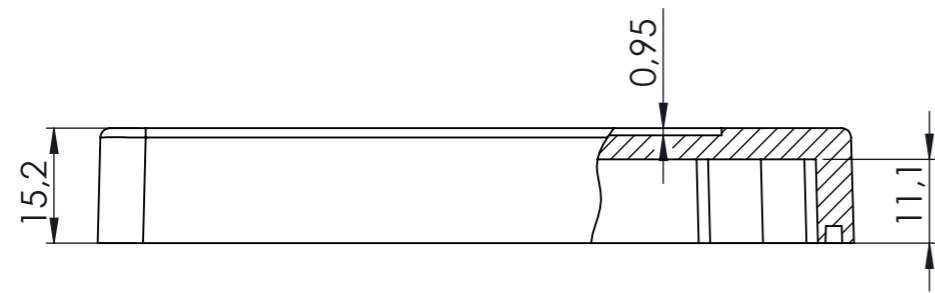



<small>PROPRIETARY AND CONFIDENTIAL THE INFORMATION CONTAINED IN THIS DRAWING IS THE SOLE PROPERTY OF ALTINKAYA ENCLOSURES. ANY REPRODUCTION IN PART OR AS A WHOLE WITHOUT THE WRITTEN PERMISSION OF ALTINKAYA ENCLOSURES IS PROHIBITED.</small>			ARTICLE NO.:	REVISION:
<small>DRAWN Dursun Daşdemir 01.06.11 CHECKED Ali Altınışık 01.06.11</small>			 ALTINKAYA ENCLOSURES FOR ELECTRONICS	CONTACT: www.altinkaya.com.tr
COMMENTS:			TITLE: <h2 style="text-align: center;">IP-65 Contalı Kutu</h2>	
MATERIAL:			DWG NO. SE-218-0-0-D-0	A3
WEIGHT:			SCALE: 1:1	SHEET OF



<small>PROPRIETARY AND CONFIDENTIAL THE INFORMATION CONTAINED IN THIS DRAWING IS THE SOLE PROPERTY OF ALTINKAYA ENCLOSURES. ANY REPRODUCTION IN PART OR AS A WHOLE WITHOUT THE WRITTEN PERMISSION OF ALTINKAYA ENCLOSURES IS PROHIBITED.</small>			ARTICLE NO:	REVISION:
<small>DRAWN</small> Dursun Daşdemir 01.06.11 <small>CHECKED</small> Ali Altınışık 01.06.11 <small>COMMENTS:</small> <small>MATERIAL:</small> <small>WEIGHT:</small>			 ALTINKAYA <small>ENCLOSURES FOR ELECTRONICS</small>	<small>CONTACT:</small> www.altinkaya.com.tr
			<h2>Base</h2>	
			<small>DWG NO.</small> <h1>SE-218-P-1</h1>	<small>SHEET OF</small> <h1>A3</h1>
			<small>SCALE:1:1</small>	<small>SHEET OF</small>



<small>PROPRIETARY AND CONFIDENTIAL THE INFORMATION CONTAINED IN THIS DRAWING IS THE SOLE PROPERTY OF ALTINKAYA ENCLOSURES. ANY REPRODUCTION IN PART OR AS A WHOLE WITHOUT THE WRITTEN PERMISSION OF ALTINKAYA ENCLOSURES IS PROHIBITED.</small>			ARTICLE NO.:	REVISION:
<small>DRAWN</small> Dursun Daşdemir 01.06.11 <small>CHECKED</small> Ali Altınışık 01.06.11 <small>COMMENTS:</small> <small>MATERIAL:</small> <small>WEIGHT:</small>			 ALTINKAYA <small>ENCLOSURES FOR ELECTRONICS</small>	<small>CONTACT:</small> www.altinkaya.com.tr
			<h1>Cover</h1>	
			<small>DWG NO.</small> <h2>SE-218-P-2</h2>	<small>SHEET OF</small> A3
			<small>SCALE:</small> 1:1	<small>SHEET OF</small>