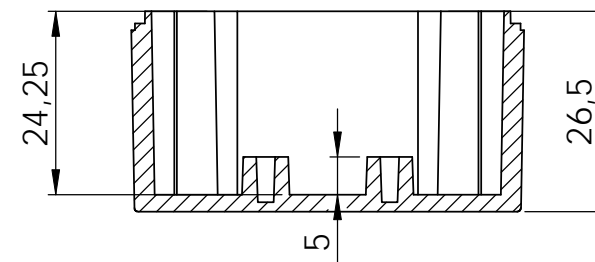
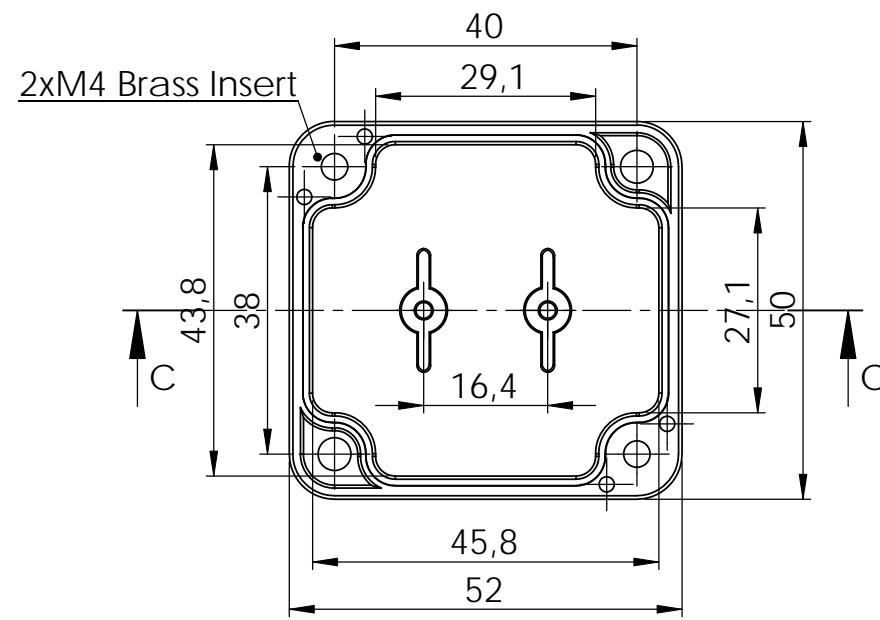


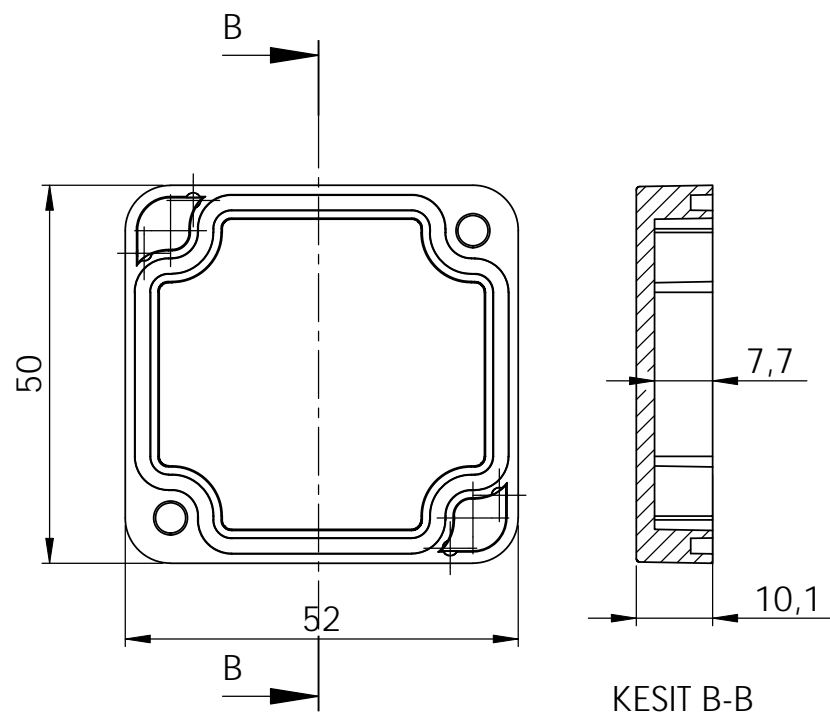
KESIT A-A

ASSEMBLY



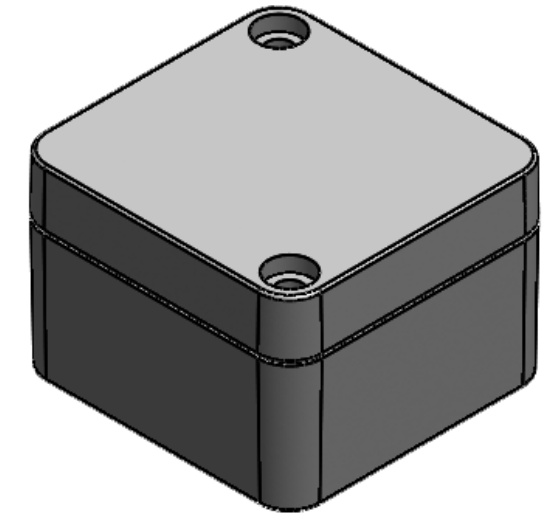
KESIT C-C


BASE



KESIT B-B

COVER



<small>PROPRIETARY AND CONFIDENTIAL. THE INFORMATION CONTAINED IN THIS DRAWING IS THE SOLE PROPERTY OF ALTINKAYA ENCLOSURES. ANY REPRODUCTION IN PART OR AS A WHOLE WITHOUT THE WRITTEN PERMISSION OF ALTINKAYA ENCLOSURES IS PROHIBITED.</small>			ARTICLE NO.:	REVISION:
<small>DRAWN</small> Dursun Daşdemir <small>CHECKED</small> Ali Altınışık <small>COMMENTS:</small>			 <small>ENCLOSURES FOR ELECTRONICS</small>	<small>CONTACT:</small> <a href="http://www.altinkaya.com.tr">www.altinkaya.com.tr</a>
<small>TITLE:</small> <b>SE-202 IP-65 Dark Gray ABS Enclosure</b>			<small>DWG NO.</small> <b>SE-202-0-0-D-0</b>	
<small>MATERIAL:</small>			<small>A3</small>	
<small>WEIGHT:</small>			<small>SCALE:1:1</small>	
<small>SHEET 1 OF 1</small>			