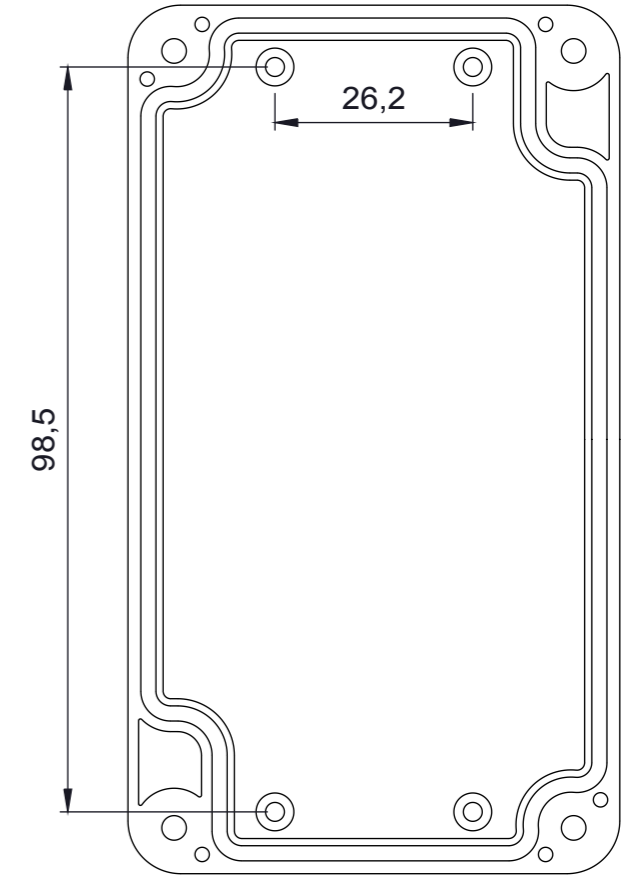
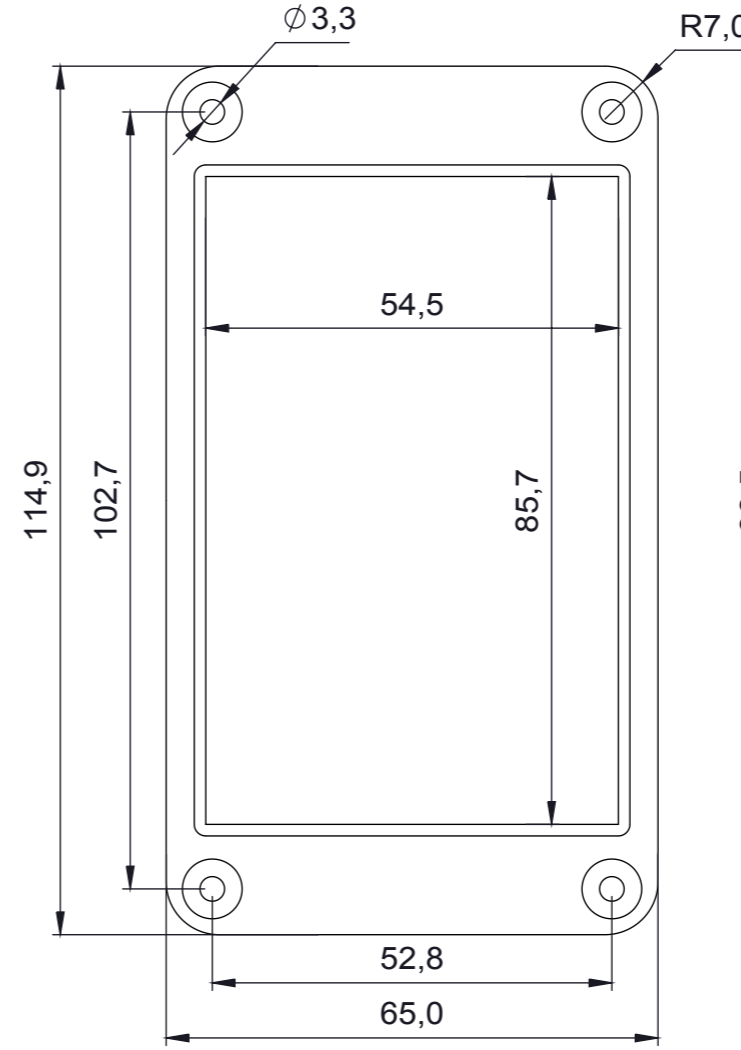
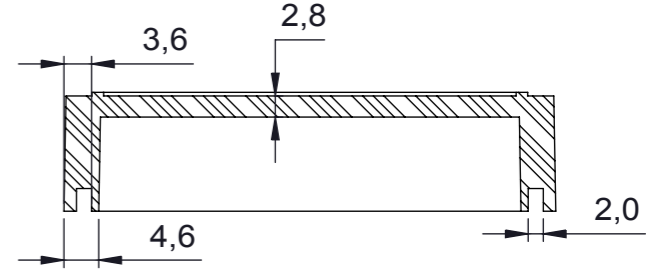
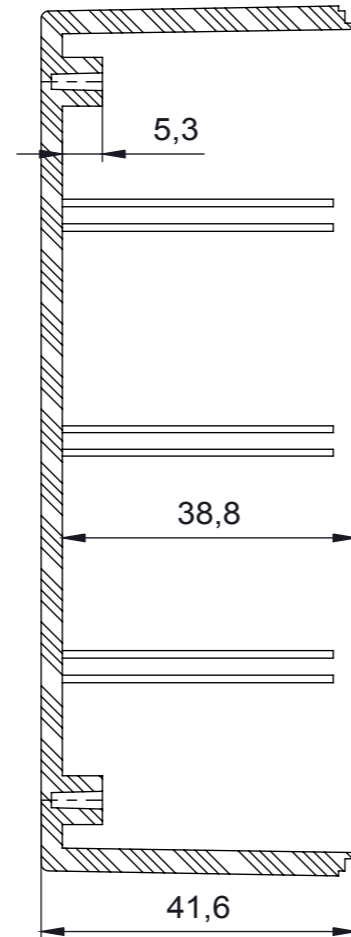
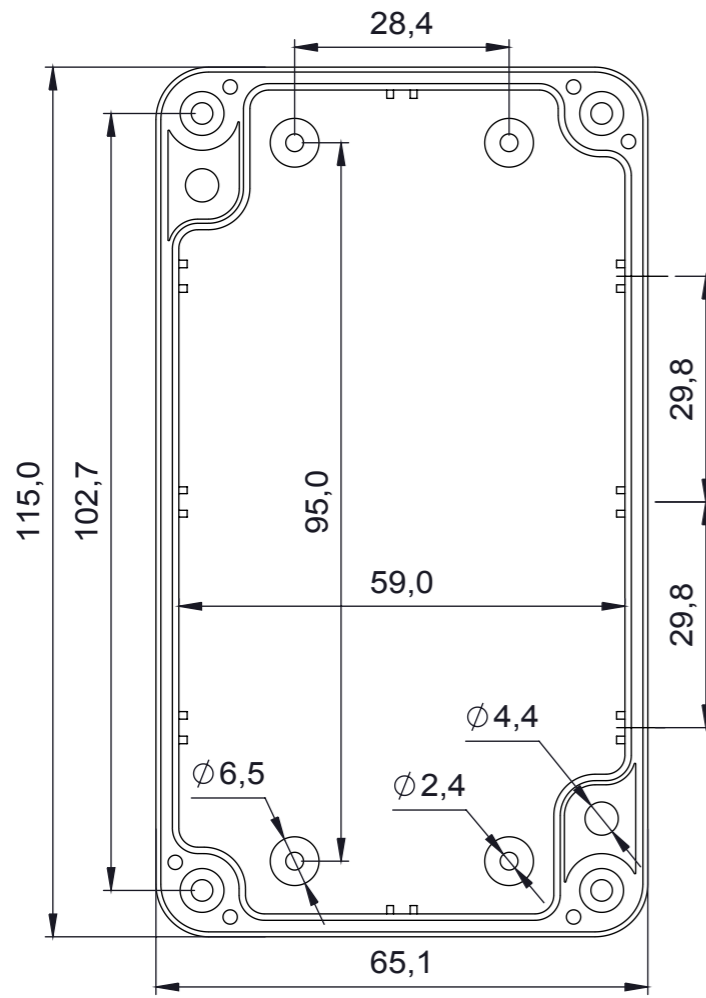


Kapak-Gövde Kesiti



Kapak



Gövde

PROPRIETARY AND CONFIDENTIAL THE INFORMATION CONTAINED IN THIS DRAWING IS THE SOLE PROPERTY OF ALTINKAYA ENCLOSURES. ANY REPRODUCTION IN PART OR AS A WHOLE WITHOUT THE WRITTEN PERMISSION OF ALTINKAYA ENCLOSURES IS PROHIBITED.		ARTICLE NO:		REVISION:	
DRAWN: Dursun Daşdemir 29.07.08		NAME: Dursun Daşdemir		DATE: 29.07.08	
CHECKED: Ali Altınışık 29.07.08		NAME: Ali Altınışık		DATE: 29.07.08	
COMMENTS: DIMENSIONS ARE IN MILLIMETRES, DEBUR AND BREAK SHARP EDGES		MATERIAL:		WEIGHT:	
ALTINKAYA ENCLOSURES FOR ELECTRONICS		CONTACT: www.altinkaya.com.tr		TITLE: <b>SE-035 Contalı Kutu</b>	
DWG NO:		SCALE: 1:1		SHEET 1 OF 1	
A3		A3		A3	