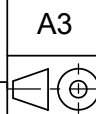
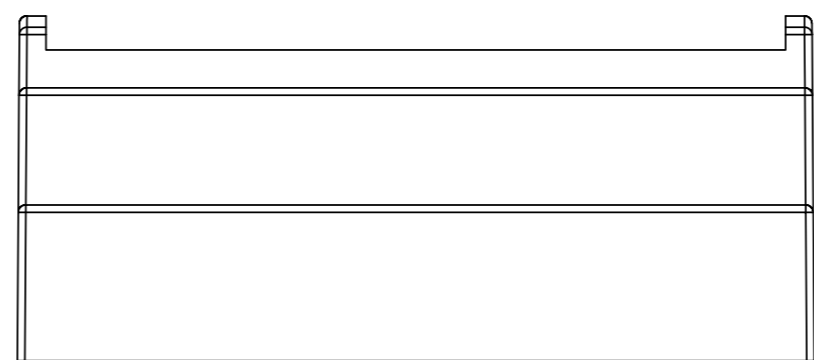
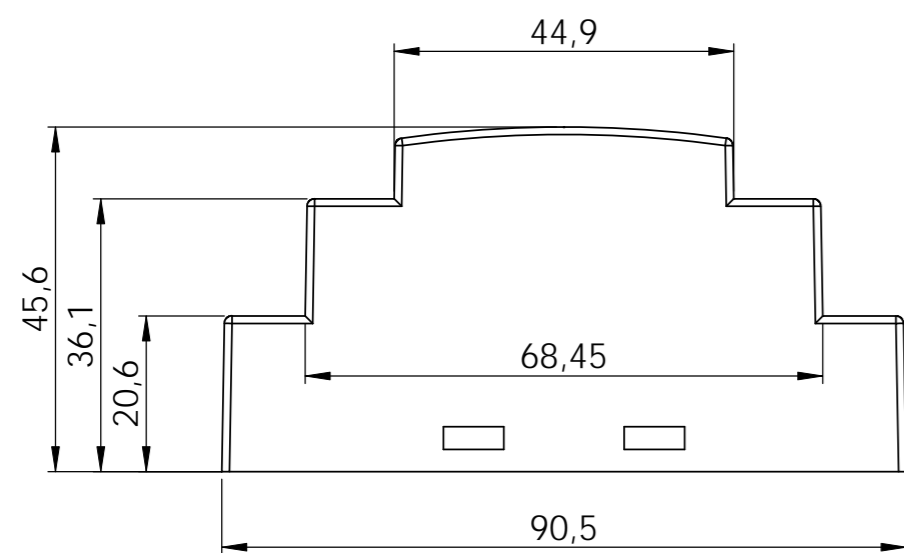
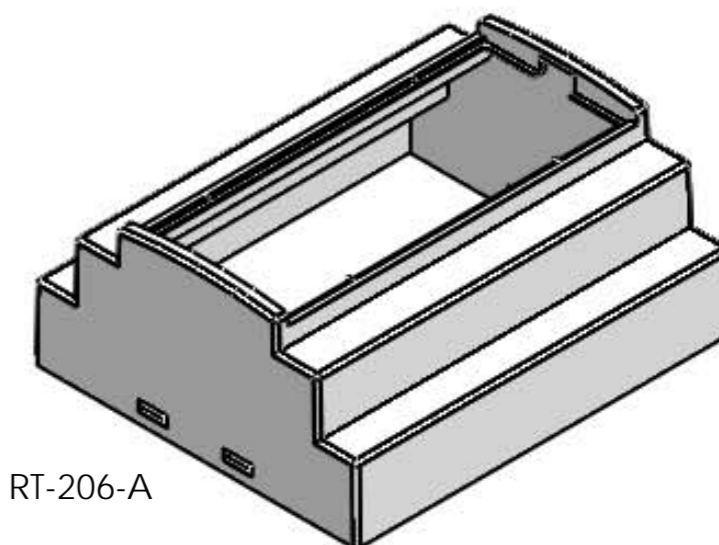


<small>PROPRIETARY AND CONFIDENTIAL. THE INFORMATION CONTAINED IN THIS DRAWING IS THE SOLE PROPERTY OF ALTINKAYA ENCLOSURES. ANY REPRODUCTION IN PART OR AS A WHOLE WITHOUT THE WRITTEN PERMISSION OF ALTINKAYA ENCLOSURES IS PROHIBITED.</small>			ARTICLE NO.:	REVISION:						
<table border="1"> <thead> <tr> <th>NAME</th> <th>DATE</th> </tr> </thead> <tbody> <tr> <td>Dursun Daşdemir</td> <td>10.08.10</td> </tr> <tr> <td>Ali Altınışık</td> <td>11.08.10</td> </tr> </tbody> </table>			NAME	DATE	Dursun Daşdemir	10.08.10	Ali Altınışık	11.08.10		
NAME	DATE									
Dursun Daşdemir	10.08.10									
Ali Altınışık	11.08.10									
DRAWN: Dursun Daşdemir CHECKED: Ali Altınışık COMMENTS:			CONTACT: <a href="http://www.altinkaya.com.tr">www.altinkaya.com.tr</a> TITLE: <b>Rail Type Enclosures</b>							
MATERIAL:			DWG NO. <b>RT-206-Assembly</b>							
WEIGHT:			SCALE:1:1							
			SHEET 1 OF 1							

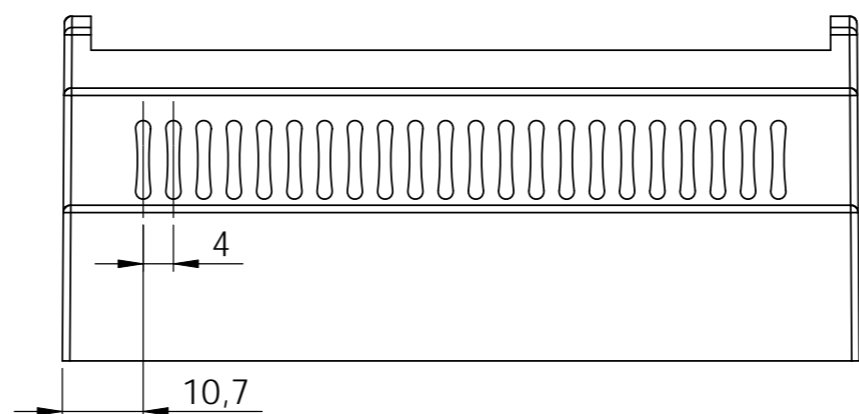
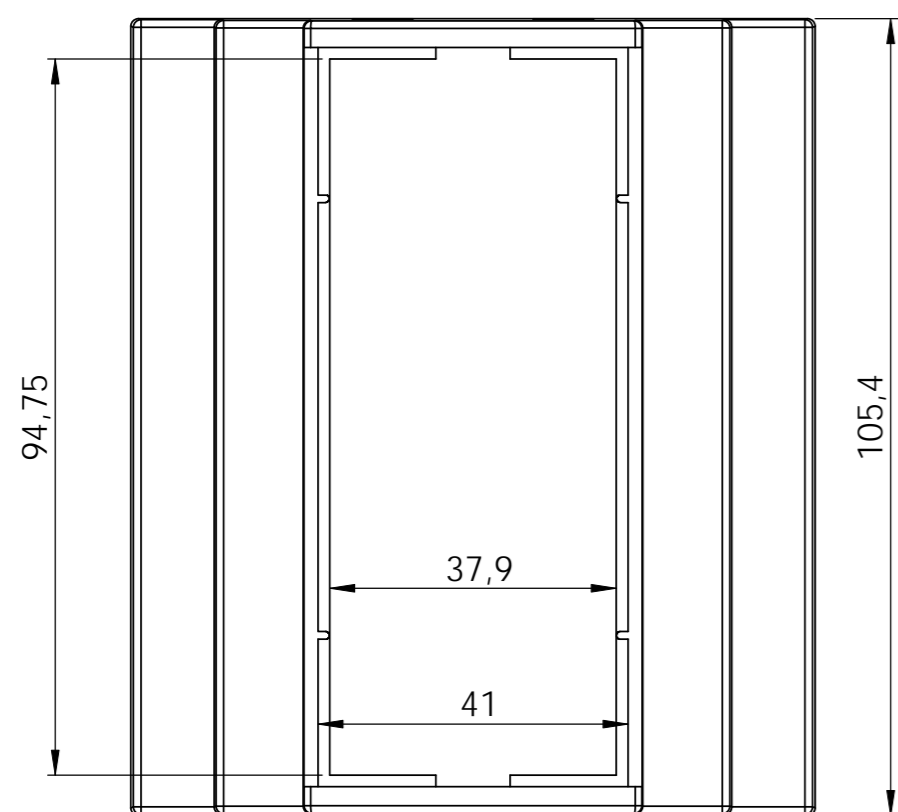




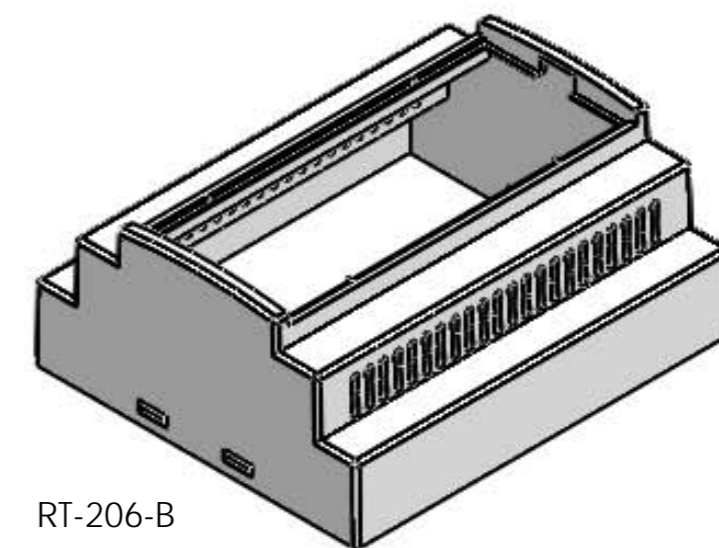
RT-206-A



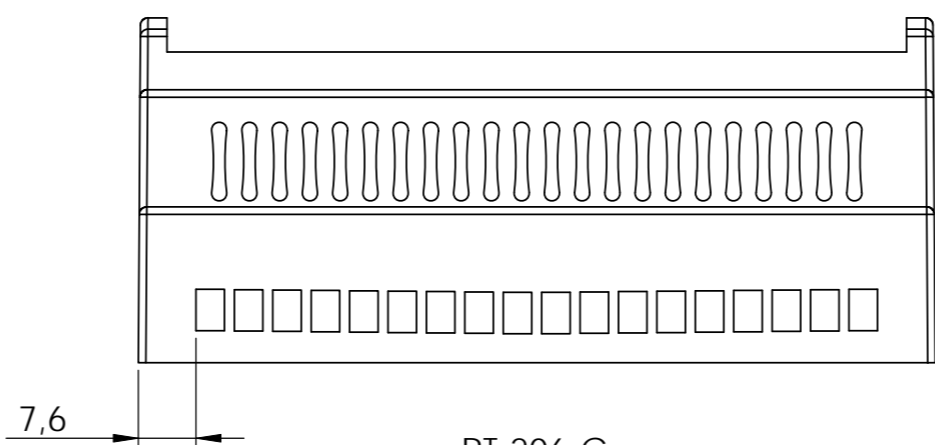
RT-206-A



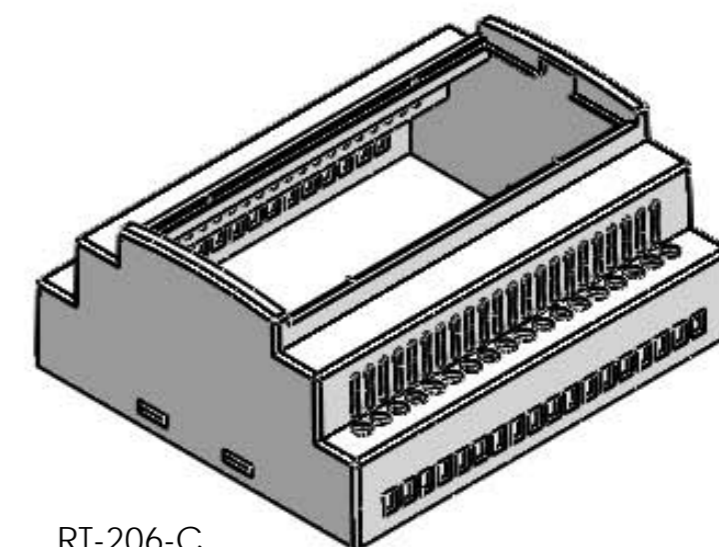
RT-206-B



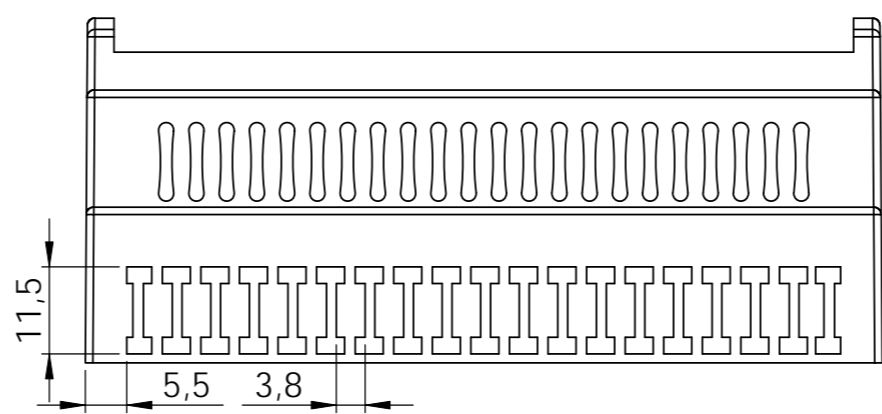
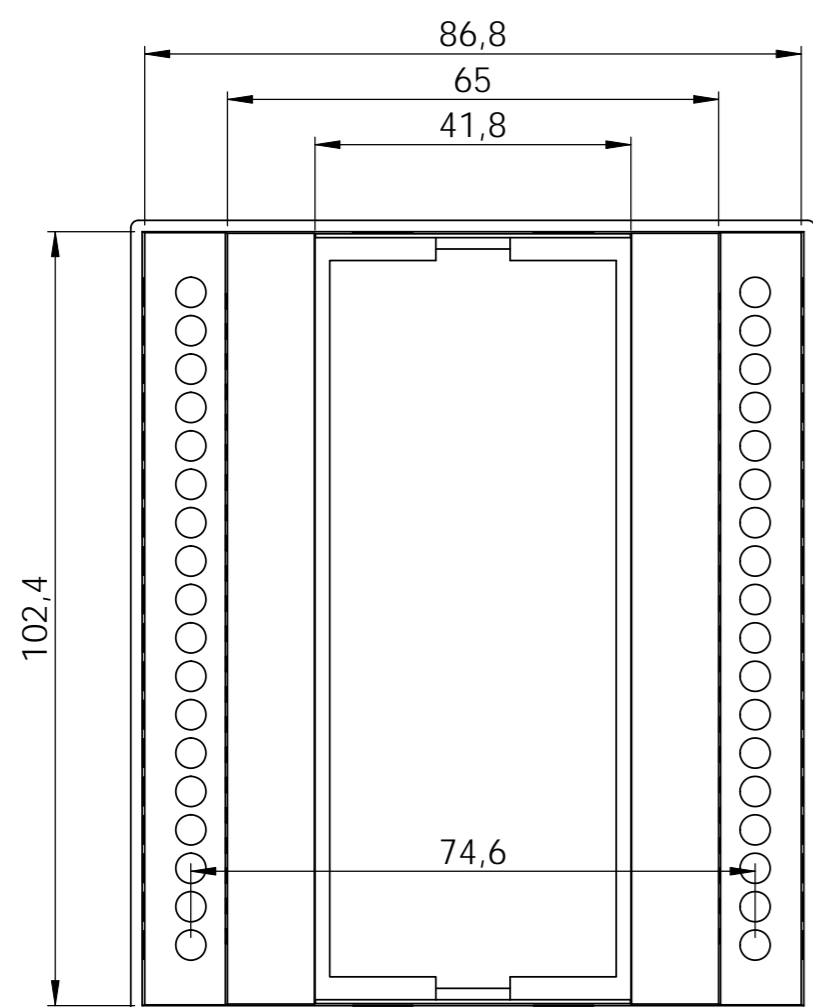
RT-206-B



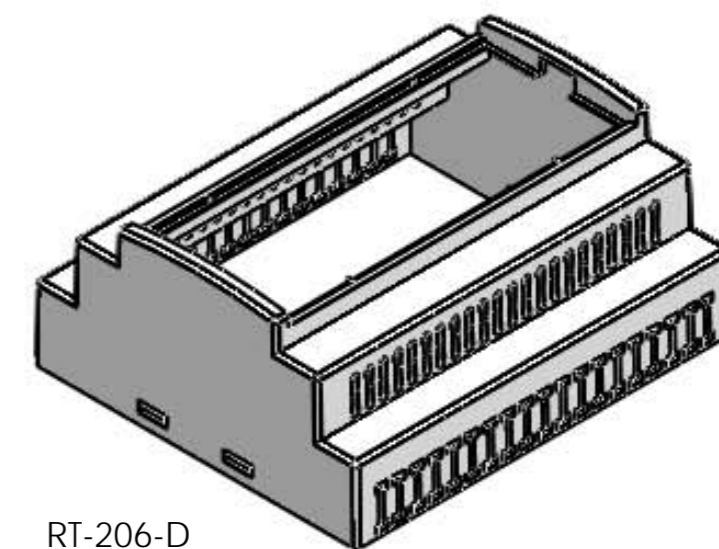
RT-206-C



RT-206-C

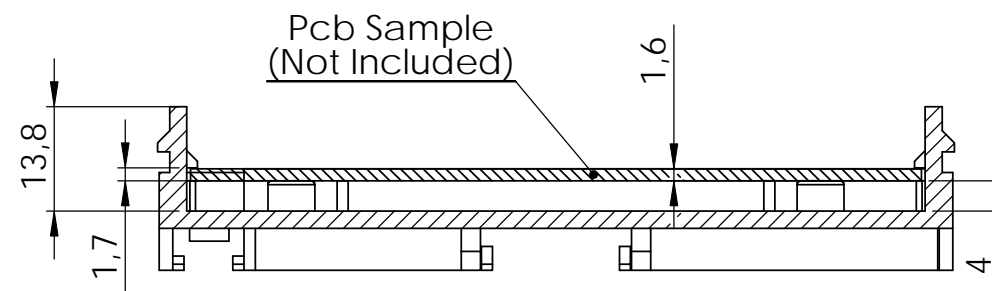
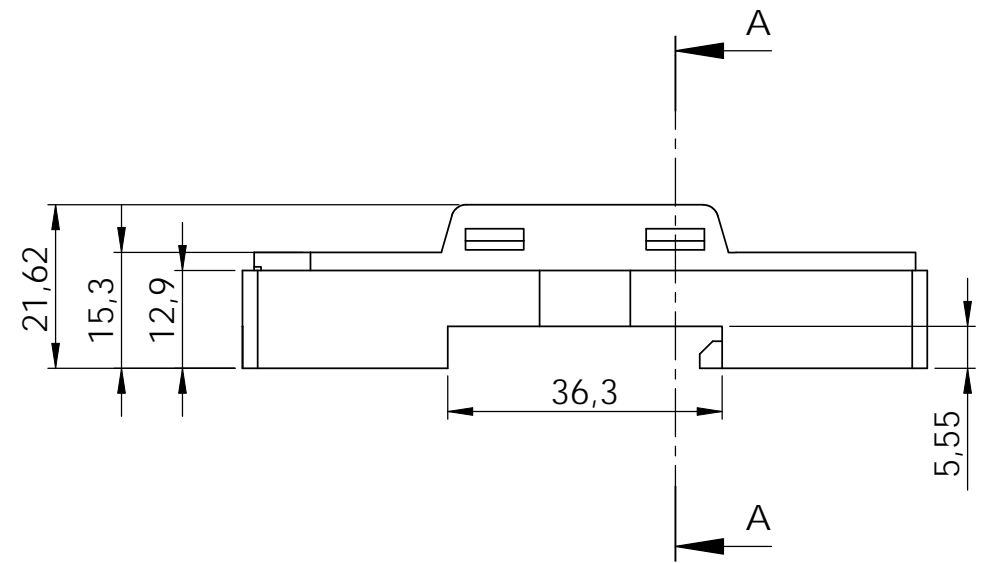


RT-206-D

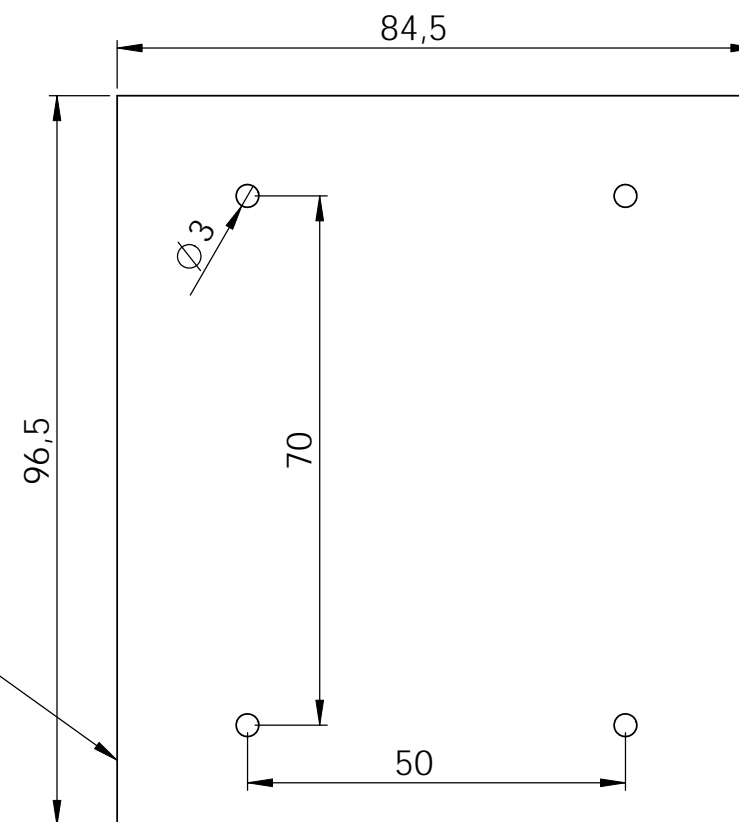
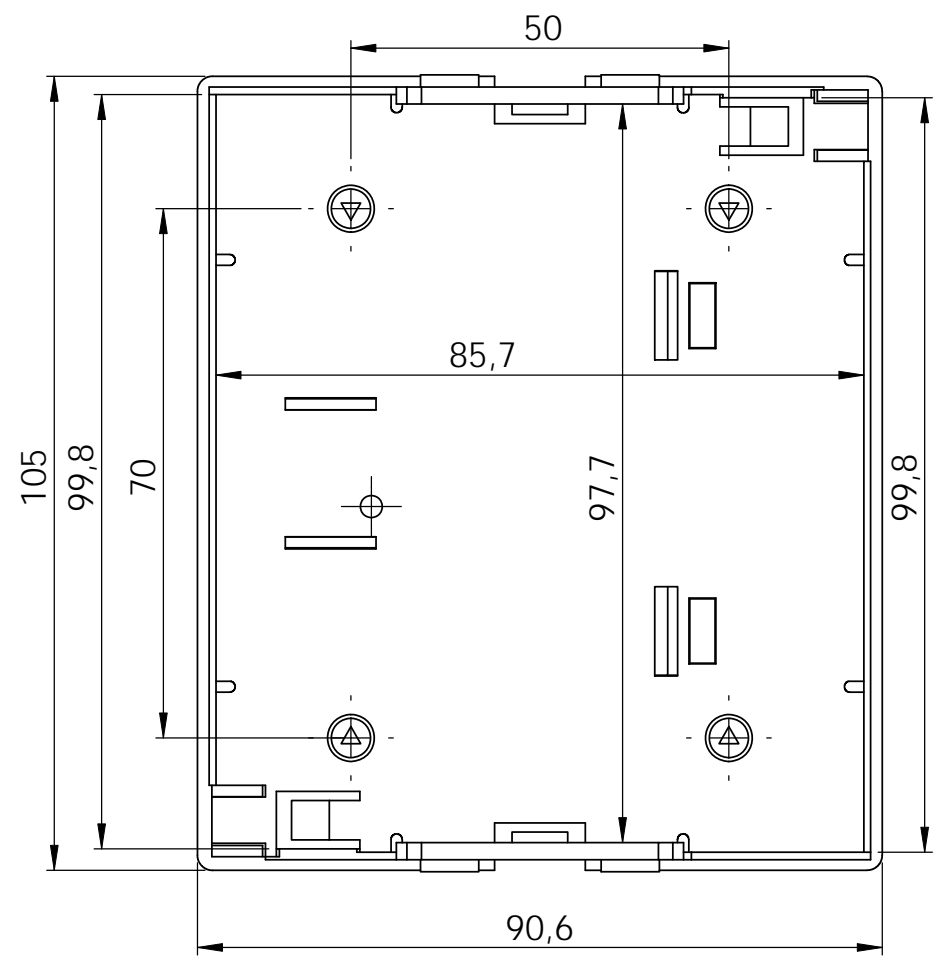


RT-206-D

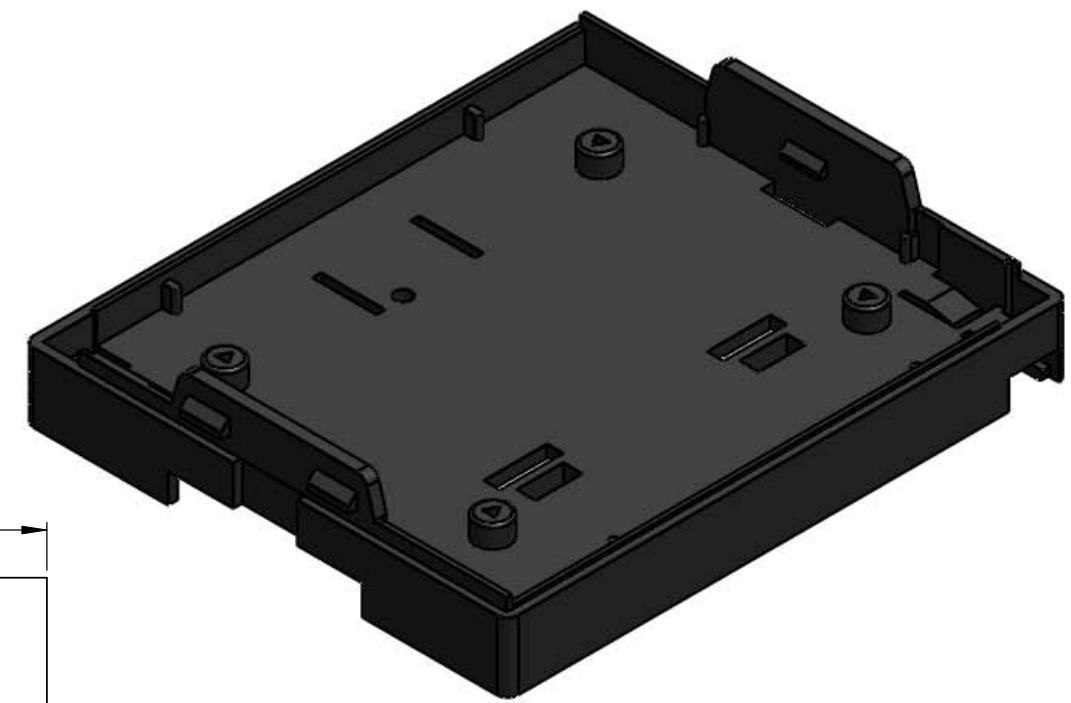
<small>PROPRIETARY AND CONFIDENTIAL THE INFORMATION CONTAINED IN THIS DRAWING IS THE SOLE PROPERTY OF ALTINKAYA ENCLOSURES. ANY REPRODUCTION IN WHOLE OR AS A WHOLE WITHOUT THE WRITTEN PERMISSION OF ALTINKAYA ENCLOSURES IS PROHIBITED.</small>		ARTICLE NO:	REVISION:								
<table border="1"> <tr> <th>NAME</th> <th>DATE</th> </tr> <tr> <td>DRAWN Dursun Dapdemir</td> <td>10.08.10</td> </tr> <tr> <td>CHECKED Ali Altınkaya</td> <td>11.08.10</td> </tr> </table>	NAME	DATE	DRAWN Dursun Dapdemir	10.08.10	CHECKED Ali Altınkaya	11.08.10	<table border="1"> <tr> <td>CONTACT:</td> <td>www.altinkaya.com.tr</td> </tr> </table>	CONTACT:	www.altinkaya.com.tr		
NAME	DATE										
DRAWN Dursun Dapdemir	10.08.10										
CHECKED Ali Altınkaya	11.08.10										
CONTACT:	www.altinkaya.com.tr										
COMMENTS:		TITLE: <b>Cover</b>									
MATERIAL:		DWG NO: <b>RT-206-TOP_BODY</b>									
WEIGHT:		SCALE:1:1 SHEET 1 OF 1									




KESIT A-A



PCB Sample Not Included



<small>PROPRIETARY AND CONFIDENTIAL THE INFORMATION CONTAINED IN THIS DRAWING IS THE SOLE PROPERTY OF ALTINKAYA ENCLOSURES. ANY REPRODUCTION IN PART OR AS A WHOLE WITHOUT THE WRITTEN PERMISSION OF ALTINKAYA ENCLOSURES IS PROHIBITED.</small>			ARTICLE NO.:	REVISION:
<small>DRAWN Dursun Daşdemir 10.08.10 CHECKED Ali Altınışık 11.08.10 COMMENTS:</small>			 <small>ENCLOSURES FOR ELECTRONICS</small>	<small>CONTACT: www.altinkaya.com.tr</small>
<small>MATERIAL:</small>			<h2>Base</h2>	
<small>WEIGHT:</small>			<small>DWG NO.</small> <h1>RT-206_DIN_BASE</h1>	<small>A3</small>
<small>SCALE:1:1</small>			<small>SHEET 1 OF 1</small>	