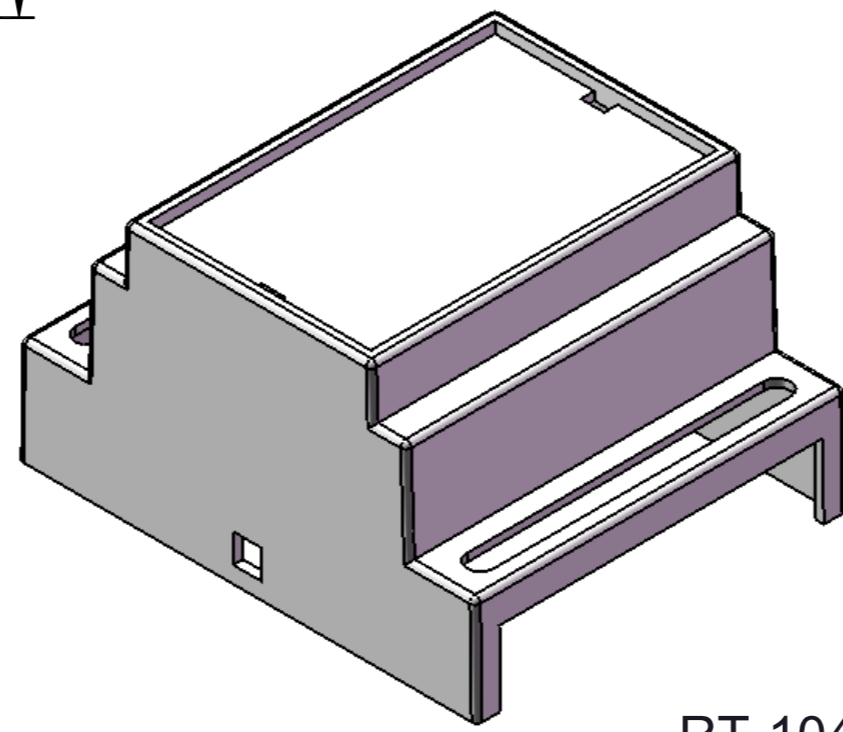
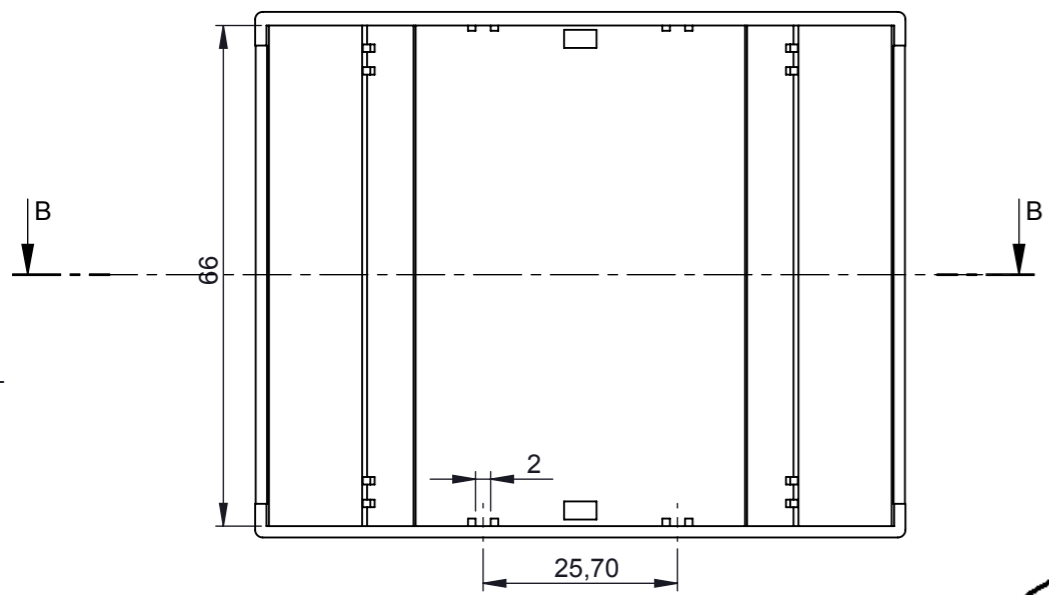
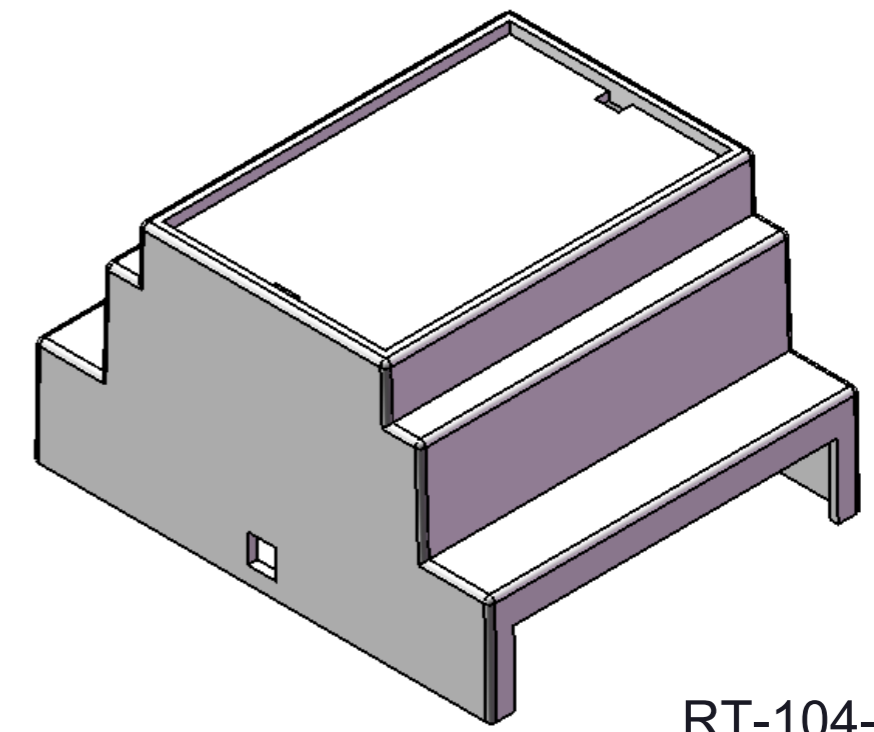


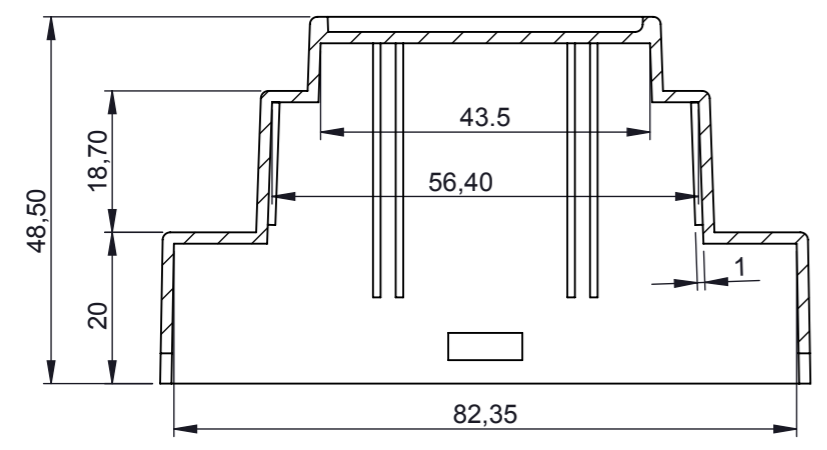
RT-104-A




RT-104-C

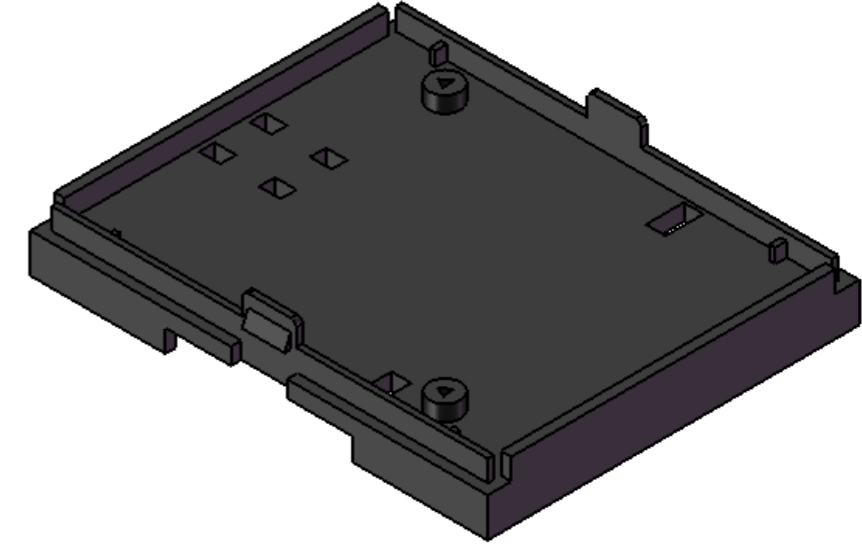
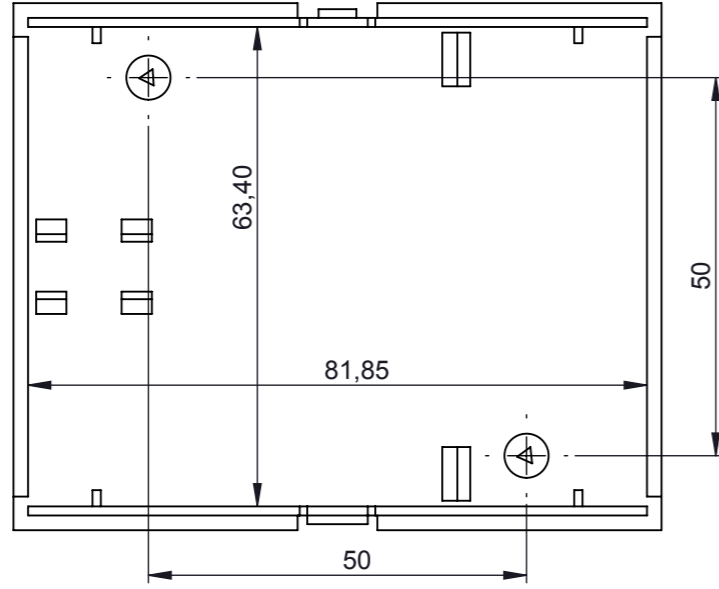
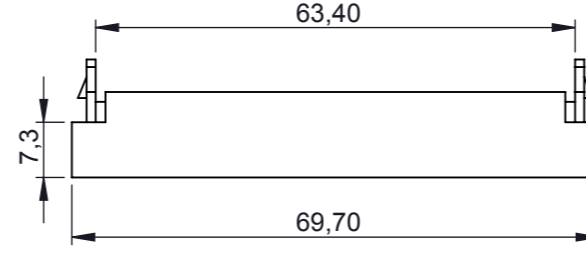
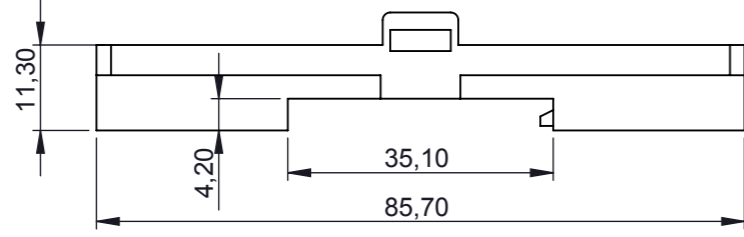



RT-104-B



SECTION B-B

<small>PROPRIETARY AND CONFIDENTIAL THE INFORMATION CONTAINED IN THIS DRAWING IS THE SOLE PROPERTY OF ALTINKAYA ENCLOSURES. ANY REPRODUCTION IN PART OR AS A WHOLE WITHOUT THE WRITTEN PERMISSION OF ALTINKAYA ENCLOSURES IS PROHIBITED.</small>			ARTICLE NO.:	REVISION:
<small>DRAWN Dursun Daşdemir 30.05.08 CHECKED Ali Altınışık 30.05.08 COMMENTS:</small>			 ALTINKAYA ENCLOSURES FOR ELECTRONICS	CONTACT: www.altinkaya.com.tr
<small>MATERIAL:</small>			RT-104 Üst Kapak	
<small>WEIGHT:</small>			<small>DWG NO.</small>	RT-104
<small>SCALE:1:1</small>			<small>SHEET 1 OF 1</small>	A3



<small>PROPRIETARY AND CONFIDENTIAL THE INFORMATION CONTAINED IN THIS DRAWING IS THE SOLE PROPERTY OF ALTINKAYA ENCLOSURES. ANY REPRODUCTION IN PART OR AS A WHOLE WITHOUT THE WRITTEN PERMISSION OF ALTINKAYA ENCLOSURES IS PROHIBITED.</small>			ARTICLE NO.:	REVISION:
<small>DRAWN</small> Dursun Daşdemir 31.05.08 <small>CHECKED</small> Ali Altınışık 31.05.08 <small>COMMENTS:</small> <small>MATERIAL:</small> <small>WEIGHT:</small>			 ALTINKAYA <small>ENCLOSURES FOR ELECTRONICS</small>	<small>CONTACT:</small> www.altinkaya.com.tr
			<h2>RT-104 Alt Kapak</h2>	
			<small>DWG NO.</small>	RT-104
			<small>SCALE:1:1</small>	<small>SHEET 1 OF 1</small>