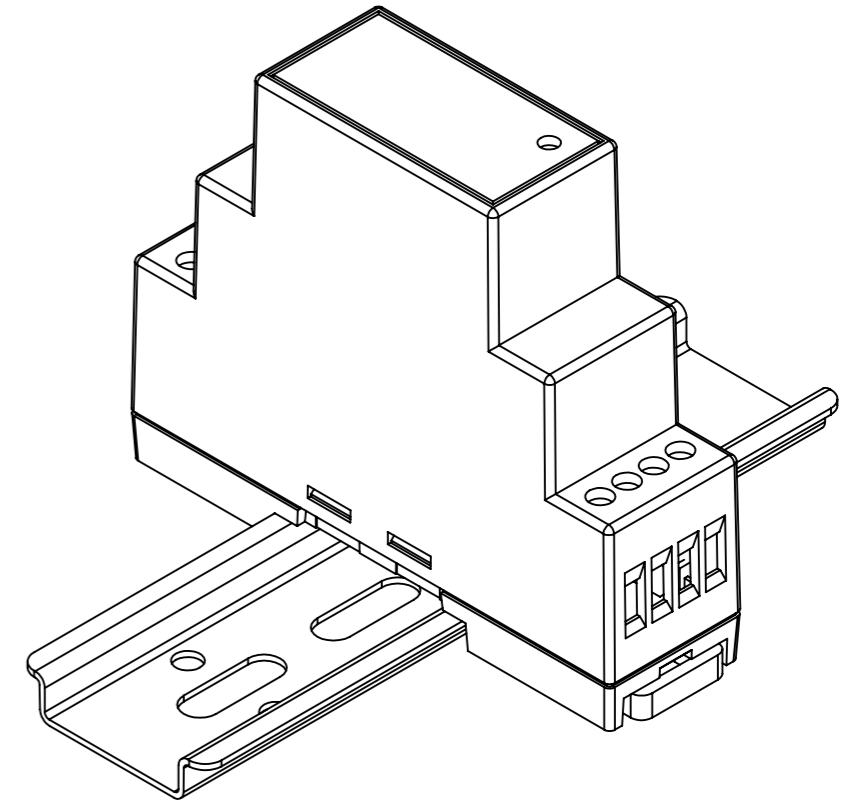
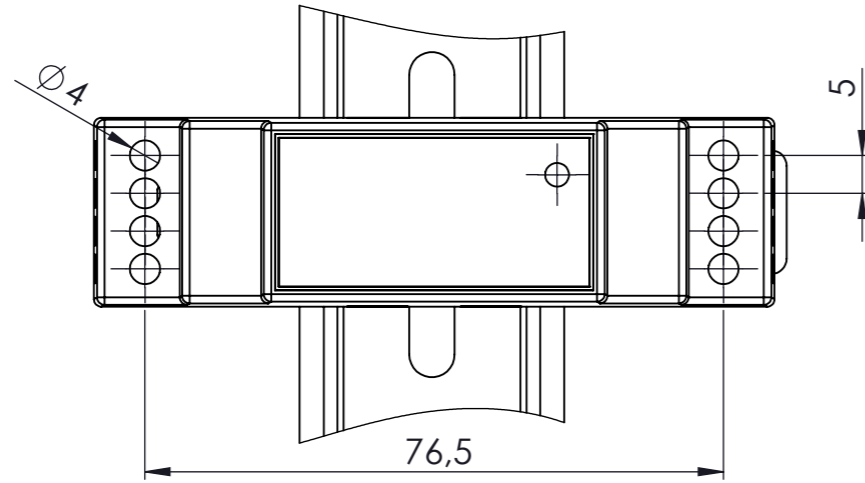

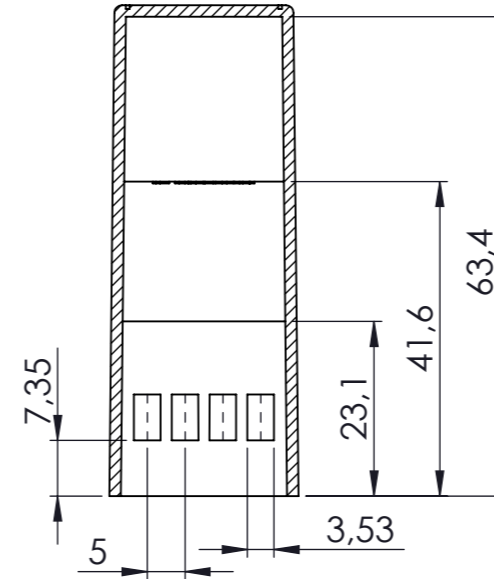
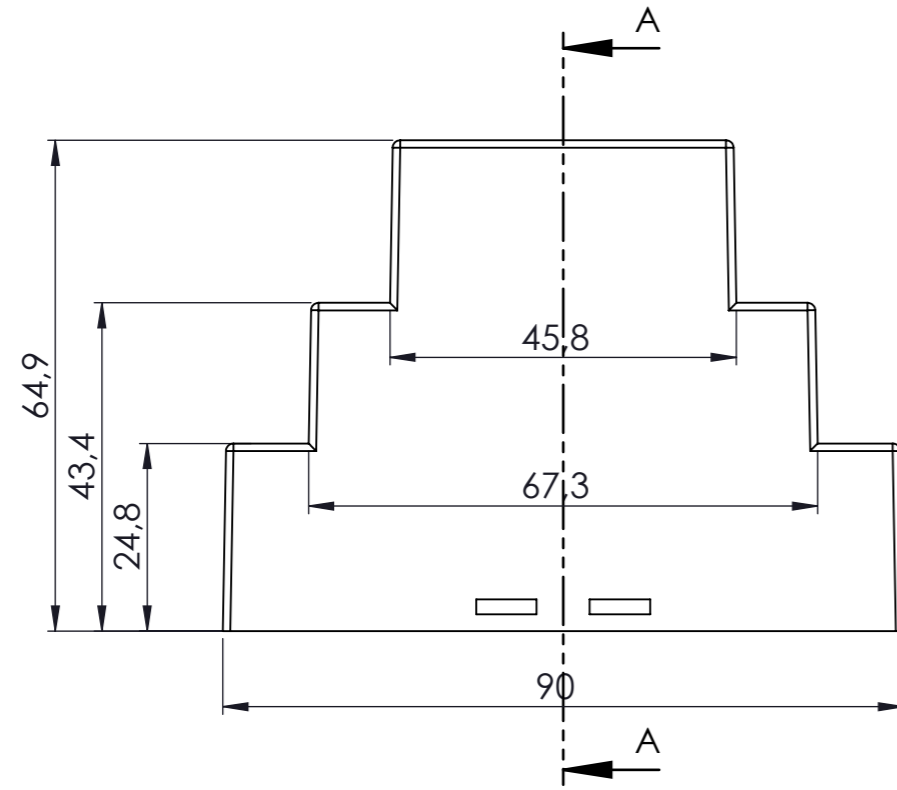


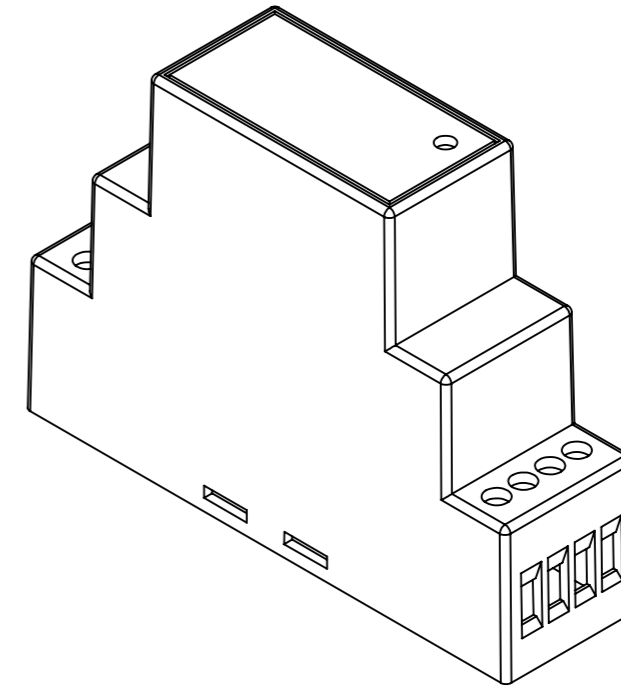
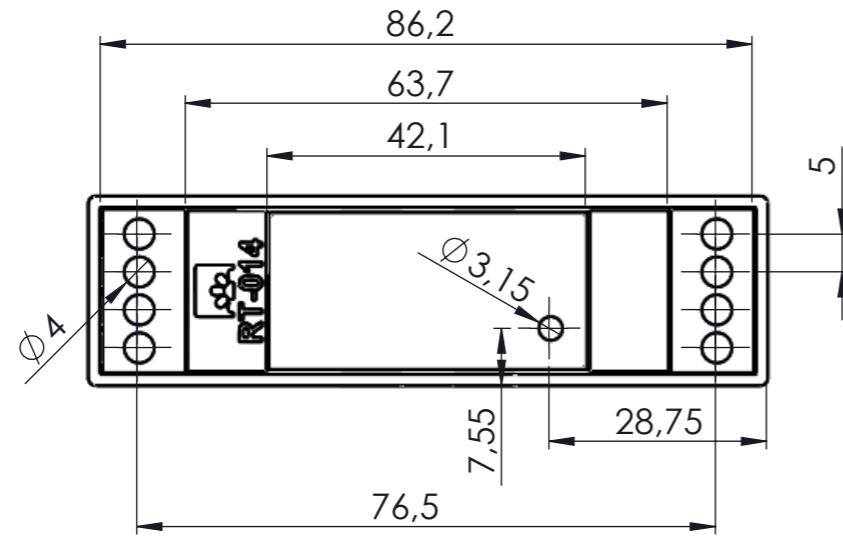
KESIT A-A





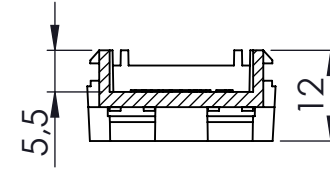
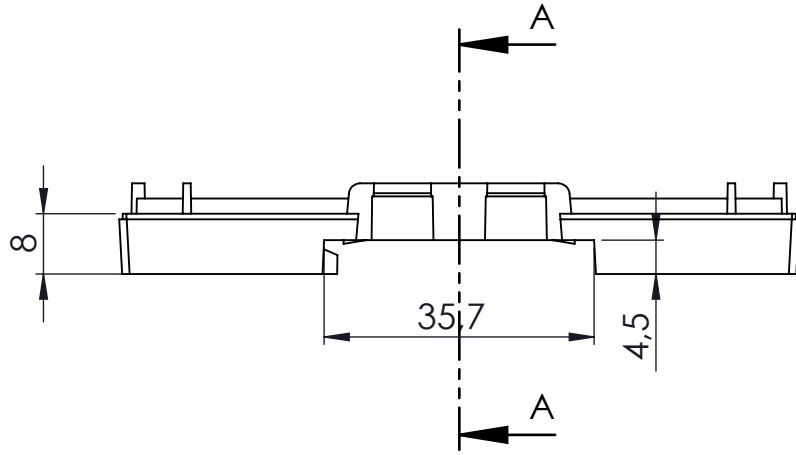
<small>PROPRIETARY AND CONFIDENTIAL THE INFORMATION CONTAINED IN THIS DRAWING IS THE SOLE PROPERTY OF ALTINKAYA ENCLOSURES. ANY REPRODUCTION IN PART OR AS A WHOLE WITHOUT THE WRITTEN PERMISSION OF ALTINKAYA ENCLOSURES IS PROHIBITED.</small>			ARTICLE NO.:	REVISION:
<small>DRAWN Dursun Daşdemir 07.08.15 CHECKED Ali Altınışık 07.08.15</small>			 <small>ENCLOSURES FOR ELECTRONICS</small>	<small>CONTACT: www.altinkaya.com.tr</small>
<small>COMMENTS:</small>			<h2>Ray Tipi Kutu</h2>	
<small>MATERIAL:</small>			DWG NO. RT-014-0-0	A3
<small>WEIGHT:</small>			SCALE:1:1	SHEET 1 OF 1



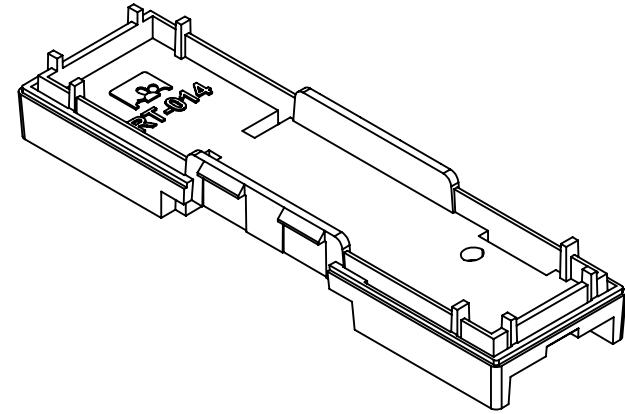
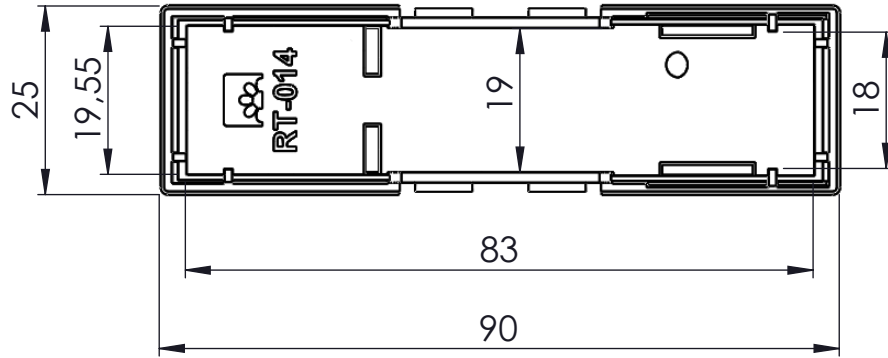
KESIT A-A




<small>PROPRIETARY AND CONFIDENTIAL THE INFORMATION CONTAINED IN THIS DRAWING IS THE SOLE PROPERTY OF ALTINKAYA ENCLOSURES. ANY REPRODUCTION IN PART OR AS A WHOLE WITHOUT THE WRITTEN PERMISSION OF ALTINKAYA ENCLOSURES IS PROHIBITED.</small>			ARTICLE NO:	REVISION:
<small>DRAWN</small> Dursun Daşdemir 07.08.15 <small>CHECKED</small> Ali Altınışık 07.08.15 <small>COMMENTS:</small> <small>MATERIAL:</small> <small>WEIGHT:</small>			 <small>ENCLOSURES FOR ELECTRONICS</small>	<small>CONTACT:</small> www.altinkaya.com.tr
			<small>TITLE:</small> <h2 style="text-align: center;">Gövde</h2>	
			<small>DWG NO.</small> <h2 style="text-align: center;">RT-014</h2>	<small>A3</small> 
			<small>SCALE:</small> 1:1	<small>SHEET</small> 1 OF 1



KESIT A-A



	NAME	DATE	ARTICLE NO:	REVISION:	TITLE:
DRAWN	Dursun Daşdemir	07.08.15			Kapak
CHECKED	Ali Altınışık	07.08.15	COMMENTS:		
	 ALTINKAYA ENCLOSURES FOR ELECTRONICS www.altinkaya.com.tr		DIMENSIONS ARE IN MILLIMETERS. DEBUR AND BREAK SHARP EDGES		DWG NO.
					PROPRIETARY AND CONFIDENTIAL THE INFORMATION CONTAINED IN THIS DRAWING IS THE SOLE PROPERTY OF ALTINKAYA ENCLOSURES. ANY REPRODUCTION IN PART OR AS A WHOLE WITHOUT THE WRITTEN PERMISSION OF ALTINKAYA ENCLOSURES IS PROHIBITED.
	MATERIAL:	WEIGHT:	SCALE:1:1	SHEET 1 OF 1	