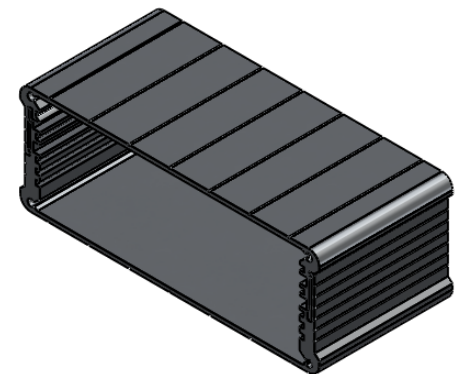
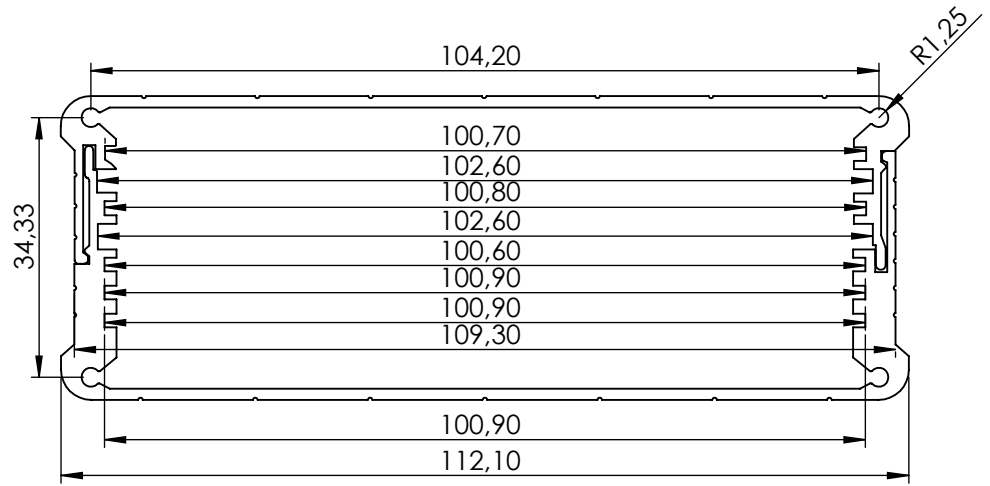



DETAIL B
SCALE 2 : 1



	NAME	DATE	ARTICLE NO:	REVISION:	TITLE:
DRAWN	Dursun Daşdemir				
CHECKED	Ali Altınışık		COMMENTS:		
 ALTINKAYA ENCLOSURES FOR ELECTRONICS www.altinkaya.com.tr			DIMENSIONS ARE IN MILLIMETERS. DEBUR AND BREAK SHARP EDGES		
PROPRIETARY AND CONFIDENTIAL THE INFORMATION CONTAINED IN THIS DRAWING IS THE SOLE PROPERTY OF ALTINKAYA ENCLOSURES. ANY REPRODUCTION IN PART OR AS A WHOLE WITHOUT THE WRITTEN PERMISSION OF ALTINKAYA ENCLOSURES IS PROHIBITED.			DWG NO. AL-114		A4
MATERIAL:			WEIGHT:	SCALE:1:1	SHEET 1 OF 1